

I/O module - AXL F AI4 I 1H - 2688491

Please be informed that the data shown in this PDF Document is generated from our Online Catalog. Please find the complete data in the user's documentation. Our General Terms of Use for Downloads are valid (<http://phoenixcontact.com/download>)



Axioline F, Analog input module, Analog inputs: 4, 0 mA ... 20 mA, 4 mA ... 20 mA, -20 mA ... 20 mA, connection method: 2, 3, 4-wire, transmission speed in the local bus: 100 Mbps, integrated sensor supply, degree of protection: IP20, including bus base module and Axioline F connectors

Product Description


The module is designed for use within an Axioline F station. It is used to acquire analog current signals.

Your advantages

- ✓ 4 analog, bipolar input channels for the connection of current signals
- ✓ Connection of sensors in 2, 3, and 4-wire technology
- ✓ Current ranges: 0 mA ... 20 mA, 4 mA ... 20 mA, ± 20 mA
- ✓ Simultaneous scanning of all channels by means of simultaneous sampling
- ✓ High crosstalk attenuation between the channels, thanks to separate signal paths
- ✓ Particularly robust against electromagnetic interference
- ✓ Device rating plate stored



Key Commercial Data

Packing unit	1 pc
GTIN	 4 046356 744225
GTIN	4046356744225
Weight per Piece (excluding packing)	200.000 g
Custom tariff number	85389091
Country of origin	Germany

Technical data

Dimensions

I/O module - AXL F AI4 I 1H - 2688491

Technical data

Dimensions

Width	35 mm
Height	126.1 mm
Depth	54 mm
Note on dimensions	The depth is valid when a TH 35-7,5 DIN rail is used (according to EN 60715).

Ambient conditions

Ambient temperature (operation)	-25 °C ... 60 °C
Ambient temperature (storage/transport)	-40 °C ... 85 °C
Permissible humidity (operation)	5 % ... 95 % (non-condensing)
Permissible humidity (storage/transport)	5 % ... 95 % (non-condensing)
Air pressure (operation)	70 kPa ... 106 kPa (up to 3000 m above sea level)
Air pressure (storage/transport)	70 kPa ... 106 kPa (up to 3000 m above sea level)
Degree of protection	IP20

Connection data

Designation	Axiline F connector
Connection method	Push-in connection
Note on the connection method	Please observe the information provided on conductor cross sections in the "Axiline F: system and installation" user manual.
Conductor cross section solid min.	0.2 mm ²
Conductor cross section solid max.	1.5 mm ²
Conductor cross section flexible min.	0.2 mm ²
Conductor cross section flexible max.	1.5 mm ²
Conductor cross section AWG min.	24
Conductor cross section AWG max.	16
Stripping length	8 mm

General

Mounting type	DIN rail
Net weight	195.9 g
Note on weight specifications	with connectors and bus base module

Interfaces

Designation	Axiline F local bus
No. of channels	2
Connection method	Bus base module
Transmission speed	100 Mbps

Axiline potentials

Designation	Axiline F local bus supply (U _{Bus})
-------------	--

I/O module - AXL F AI4 I 1H - 2688491

Technical data

Axioline potentials

Supply voltage	5 V DC (via bus base module)
Current consumption	typ. 120 mA
	max. 150 mA
Designation	Supply for analog modules (U_A)
Supply voltage	24 V DC (I/O supply and sensor supply)
Supply voltage range	19.2 V DC ... 30 V DC (including all tolerances, including ripple)
Current consumption	max. 45 mA ($I_{IS} = 0$ mA)
	typ. 118 mA ($I_{IS} = 4 \times 20$ mA (nominal load))
	max. 125 mA ($I_{IS} = 4 \times 20$ mA (nominal load))
	typ. 238 mA ($I_{IS} = 4 \times 50$ mA (full load))
	max. 245 mA ($I_{IS} = 4 \times 50$ mA (full load))
Power consumption	typ. 1.5 W (at U_{BUS} and U_A)
	max. 1.83 W (at U_{BUS} and U_A)
Type of protection	Surge protection of the supply voltage
	Polarity reversal protection of the supply voltage
	Transient protection supply voltage

Analog inputs

Description of the input	Differential inputs, current
Input name	Analog inputs
Number of inputs	4
Connection method	Push-in connection
Connection technology	2, 3, 4-wire
Note regarding the connection technology	shielded
A/D conversion time	31.25 μ s
Resolution A/D	16 bit
Limit frequency (3 dB)	30 Hz
	12 kHz
Type of protection	Transient protection of inputs
	Overload protection of the inputs
Data formats	IB IL, S7-compatible
Measured value representation	16 bits (15 bits + sign bit)
Current input signal	0 mA ... 20 mA
	4 mA ... 20 mA
	-20 mA ... 20 mA
Input resistance current input	104 Ω (typical)
Input filter	30 Hz, 12 kHz and mean-value generation (can be parameterized)

I/O module - AXL F AI4 I 1H - 2688491

Technical data

Electrical isolation

Test section	5 V communications power (logic), 24 V supply (I/O) 500 V AC 50 Hz 1 min.
	5 V supply (logic)/analog inputs 500 V AC 50 Hz 1 min.
	5 V supply (logic)/functional earth ground 500 V AC 50 Hz 1 min.
	24 V supply (I/O)/analog inputs 500 V AC 50 Hz 1 min.
	24 V supply (I/O) / functional earth ground 500 V AC 50 Hz 1 min.
	Analog inputs/functional earth ground 500 V AC 50 Hz 1 min.

Standards and Regulations

Mechanical tests	Vibration resistance in acc. with EN 60068-2-6/IEC 60068-2-6 5g
	Shock in acc. with EN 60068-2-27/IEC 60068-2-27 30g
	Continuous shock according to EN 60068-2-27/IEC 60068-2-27 10g
Protection class	III, IEC 61140, EN 61140, VDE 0140-1

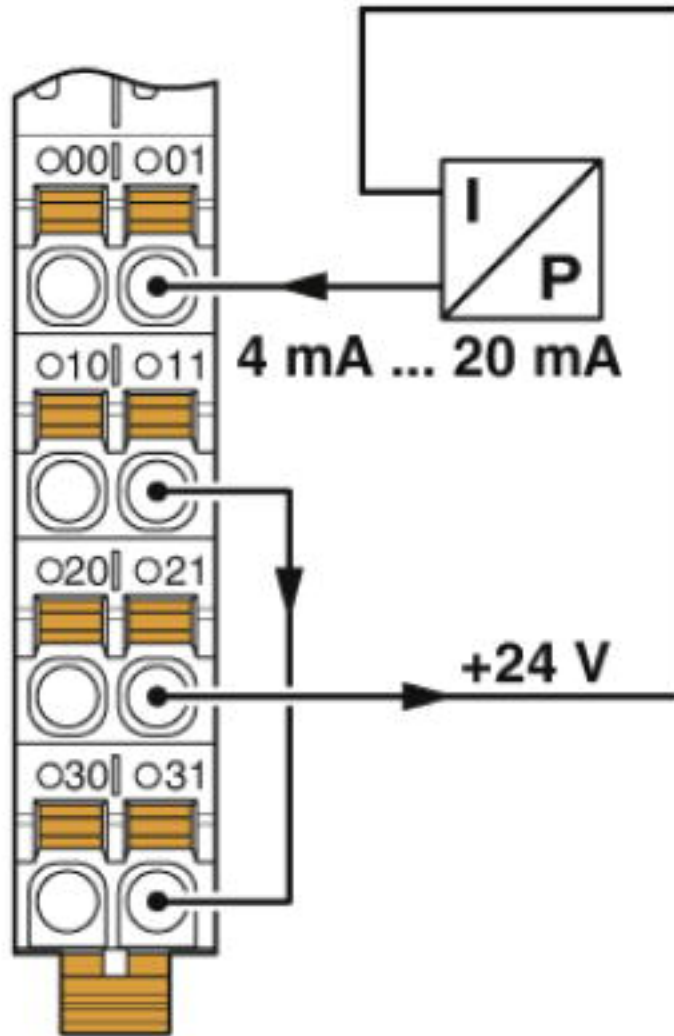
Environmental Product Compliance

	Lead 7439-92-1
China RoHS	Environmentally friendly use period: unlimited = EFUP-e
	No hazardous substances above threshold values

Drawings

I/O module - AXL F AI4 I 1H - 2688491

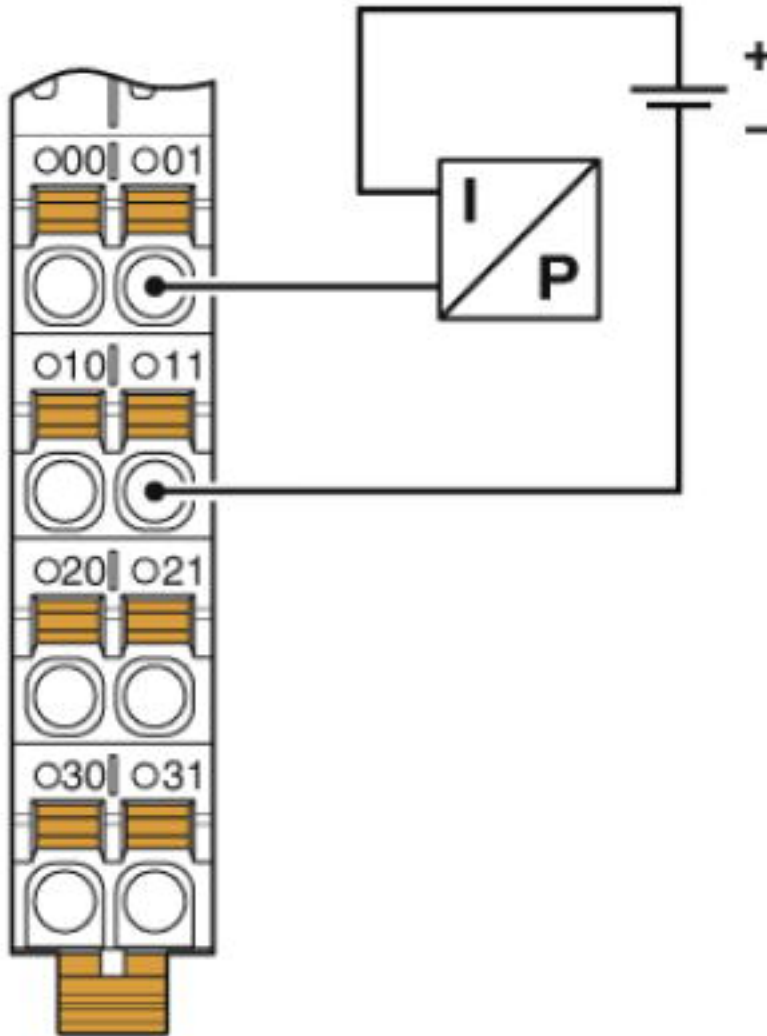
Connection diagram



Differential current input with passive 2-wire transmitter (current loop)

I/O module - AXL F AI4 I 1H - 2688491

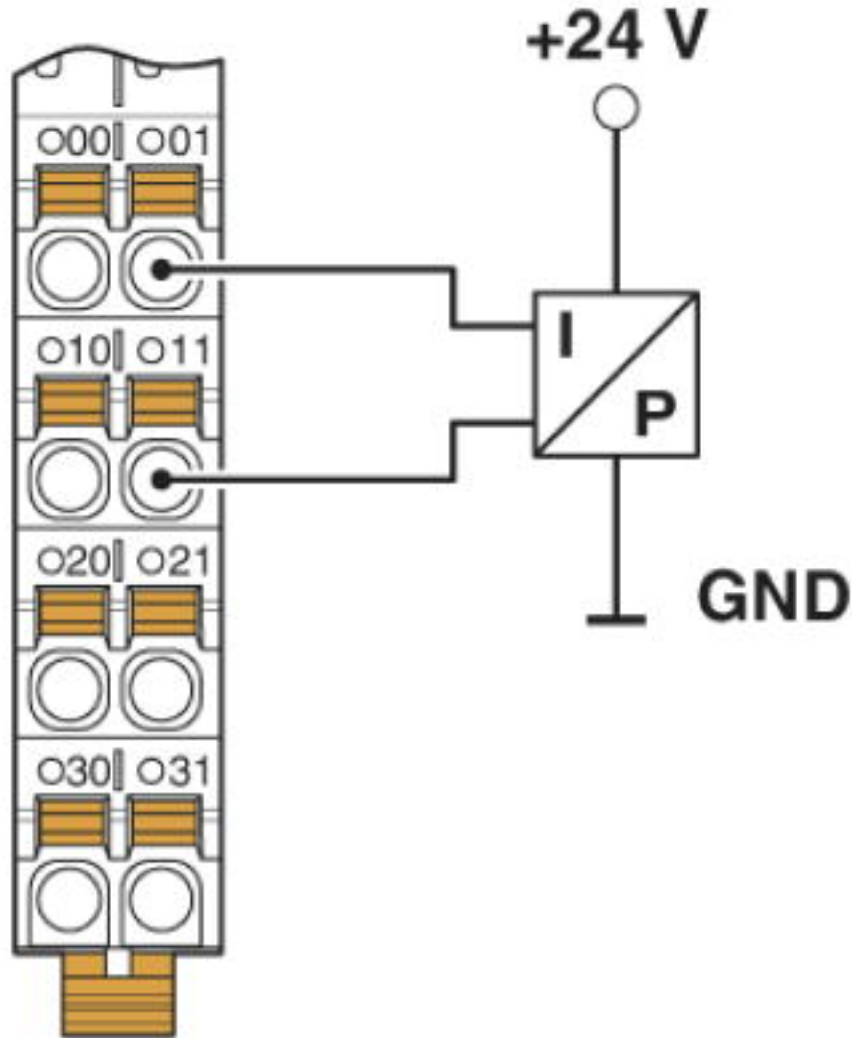
Connection diagram



Differential current input with passive 2-wire transmitter (current loop)

I/O module - AXL F AI4 I 1H - 2688491

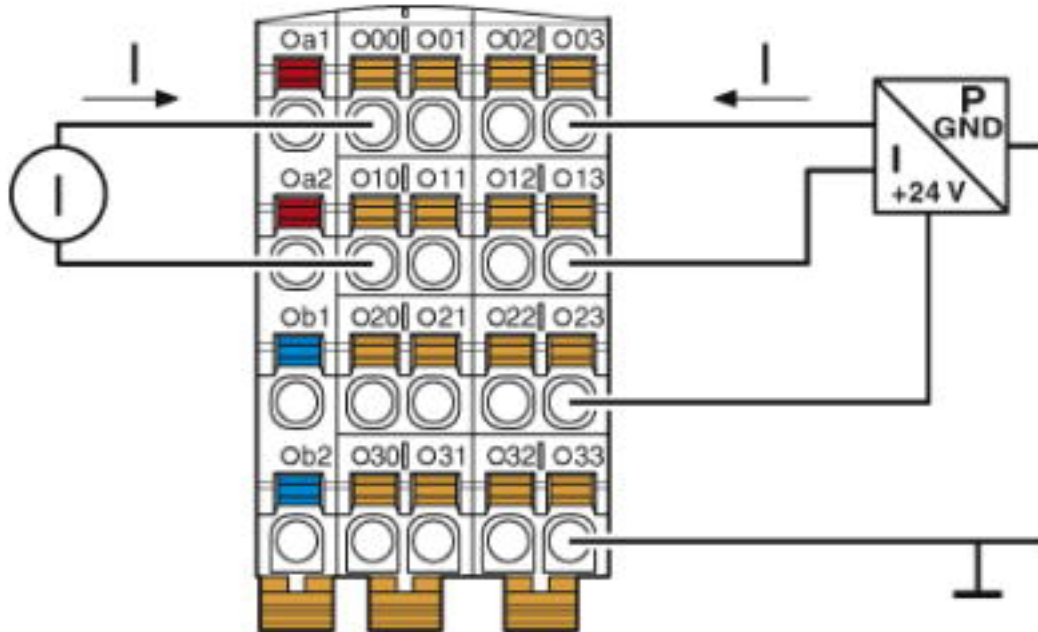
Connection diagram



Passive pressure sensor at a differential current input

I/O module - AXL F AI4 I 1H - 2688491

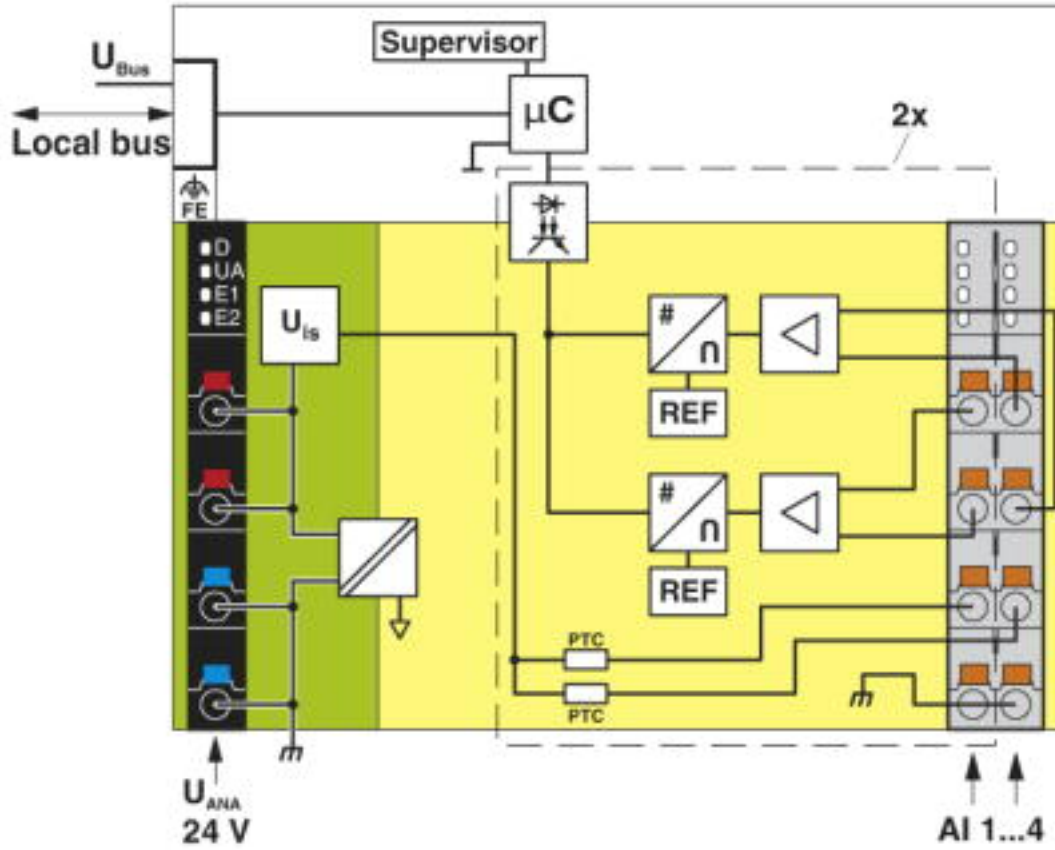
Connection diagram



Connection for current measurement

I/O module - AXL F AI4 I 1H - 2688491

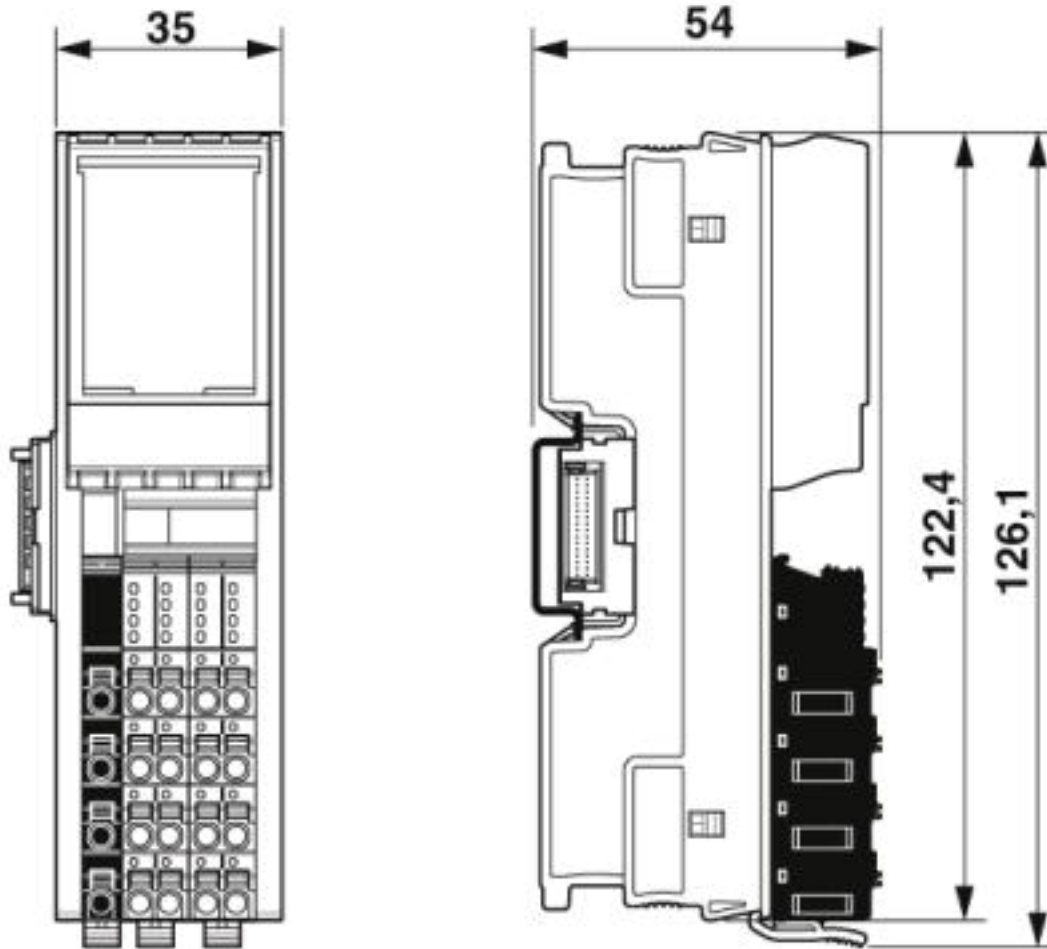
Block diagram



Internal wiring of the terminal points

I/O module - AXL F AI4 I 1H - 2688491

Dimensional drawing



Classifications

eCl@ss

eCl@ss 4.0	27240400
eCl@ss 4.1	27240400
eCl@ss 5.0	27242200
eCl@ss 5.1	27242600
eCl@ss 6.0	27242600
eCl@ss 7.0	27242601
eCl@ss 8.0	27242601
eCl@ss 9.0	27242601

I/O module - AXL F AI4 I 1H - 2688491

Classifications

ETIM

ETIM 3.0	EC001599
ETIM 4.0	EC001599
ETIM 5.0	EC001596
ETIM 6.0	EC001596
ETIM 7.0	EC001596

UNSPSC

UNSPSC 6.01	43172015
UNSPSC 7.0901	43201404
UNSPSC 11	39121311
UNSPSC 12.01	39121311
UNSPSC 13.2	32151602

Approvals

Approvals

Approvals

DNV GL / PRS / BV / LR / KR / ABS / BSH / RINA / UL Listed / cUL Listed / EAC / cULus Listed

Ex Approvals

Approval details








DNV GL		https://approvalfinder.dnvgl.com/	TAA00000DF
--------	---	---	------------

PRS		http://www.prs.pl/	TE/2239/880590/19
-----	---	---	-------------------

BV		http://www.veristar.com/portal/veristarinfo/generalinfo/approved/approvedProducts/equipmentAndMaterials	36433/B0 BV
----	---	---	-------------

I/O module - AXL F AI4 I 1H - 2688491

Approvals

LR		http://www.lr.org/en	14-20019
KR		http://www.krs.co.kr/eng/main/main.aspx	HMB17372-AC002
ABS		http://www.eagle.org/eagleExternalPortalWEB/	18-HG1767360-PDA
BSH		http://www.bsh.de/de/index.jsp	840
RINA		http://www.rina.org/en	ELE256518XG
UL Listed		http://database.ul.com/cgi-bin/XYV/template/LISEXT/1FRAME/index.htm	FILE E 238705
cUL Listed		http://database.ul.com/cgi-bin/XYV/template/LISEXT/1FRAME/index.htm	FILE E 238705
EAC			EAC-Zulassung
cULus Listed			

Accessories

Accessories

Device marking

I/O module - AXL F AI4 I 1H - 2688491

Accessories

Insert label - EMT (35X28)R - 0801602



Insert label, Roll, white, unlabeled, can be labeled with: THERMOMARK ROLLMASTER 300/600, THERMOMARK X1.2, THERMOMARK ROLL X1, THERMOMARK ROLL 2.0, THERMOMARK ROLL, mounting type: snapped into marker carrier, lettering field size: 35 x 28 mm, Number of individual labels: 500

DIN rail connector

Bus connector - AXL F BS H - 2700992



Axiline F bus base module for housing type H

Shield connection

Shield connection - AXL SHIELD SET - 2700518



Axiline shield connection set (contains 2 shield bus holders and 2 SK 5 shield connection clamps)

Terminal marking

Zack marker strip - ZB 20,3 AXL UNPRINTED - 0829579



Zack marker strip for Axiline F (device labeling), in 2 x 20.3 mm pitch, unprinted, 25-section, for individual labeling with B-STIFT 0.8, X-PEN, or CMS-P1-PLOTTER

I/O module - AXL F AI4 I 1H - 2688491

Accessories

Zack Marker strip, flat - ZBF 10/5,8 AXL UNPRINTED - 0829580



Zack Marker strip, flat, Strip, white, unlabeled, can be labeled with: PLOTMARK, CMS-P1-PLOTTER, mounting type: snap into flat marker groove, for terminal block width: 10.15 mm, lettering field size: 4 of 10.15 x 5 mm and 1 of 5.8 x 5 mm, Number of individual labels: 50