

Feed-through header - IPCV 16/ 4-G-10,16 - 1969713

Please be informed that the data shown in this PDF Document is generated from our Online Catalog. Please find the complete data in the user's documentation. Our General Terms of Use for Downloads are valid (<http://phoenixcontact.com/download>)

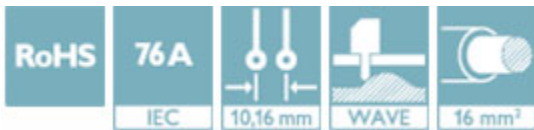


PCB headers, nominal current: 76 A, number of positions: 4, pitch: 10.16 mm, color: green, contact surface: Silver, mounting: Wave soldering


The figure shows a 5-pos. version of the product

Your advantages

- ✓ Well-known mounting principle allows worldwide use
- ✓ Maximum flexibility when it comes to device design – one header for connectors with different connection technologies
- ✓ Inverted header with socket contacts for touch-proof device outputs or PCB/PCB connections
- ✓ Integrated double steel spring provides additional safety in the event of temperature and power fluctuations



Key Commercial Data

Packing unit	1 pc
Minimum order quantity	50 pc
GTIN	 4 017918 946739
GTIN	4017918946739
Weight per Piece (excluding packing)	16.150 g
Custom tariff number	85366930
Country of origin	Poland

Technical data

Dimensions

Length [l]	13.6 mm
Width	41.44 mm
Pitch	10.16 mm
Dimension a	30.48 mm

Feed-through header - IPCV 16/ 4-G-10,16 - 1969713

Technical data

Dimensions

Width [w]	41.44 mm
Height [h]	36.1 mm
Height	32.1 mm
Length of the solder pin	4 mm
Pin dimensions	0.8 x 1.2 mm
Pin spacing	10.16 mm
Length	13.6 mm

General

Range of articles	IPCV 16/..-G
Insulating material group	I
Rated surge voltage (III/3)	8 kV
Rated surge voltage (III/2)	8 kV
Rated surge voltage (II/2)	8 kV
Rated voltage (III/3)	1000 V
Rated voltage (III/2)	1000 V
Rated voltage (II/2)	1000 V
Nominal current I_N	76 A
Maximum load current	76 A
Insulating material	PA
Flammability rating according to UL 94	V0
Color	green
Number of positions	4

Standards and Regulations

Connection in acc. with standard	CUL
Flammability rating according to UL 94	V0

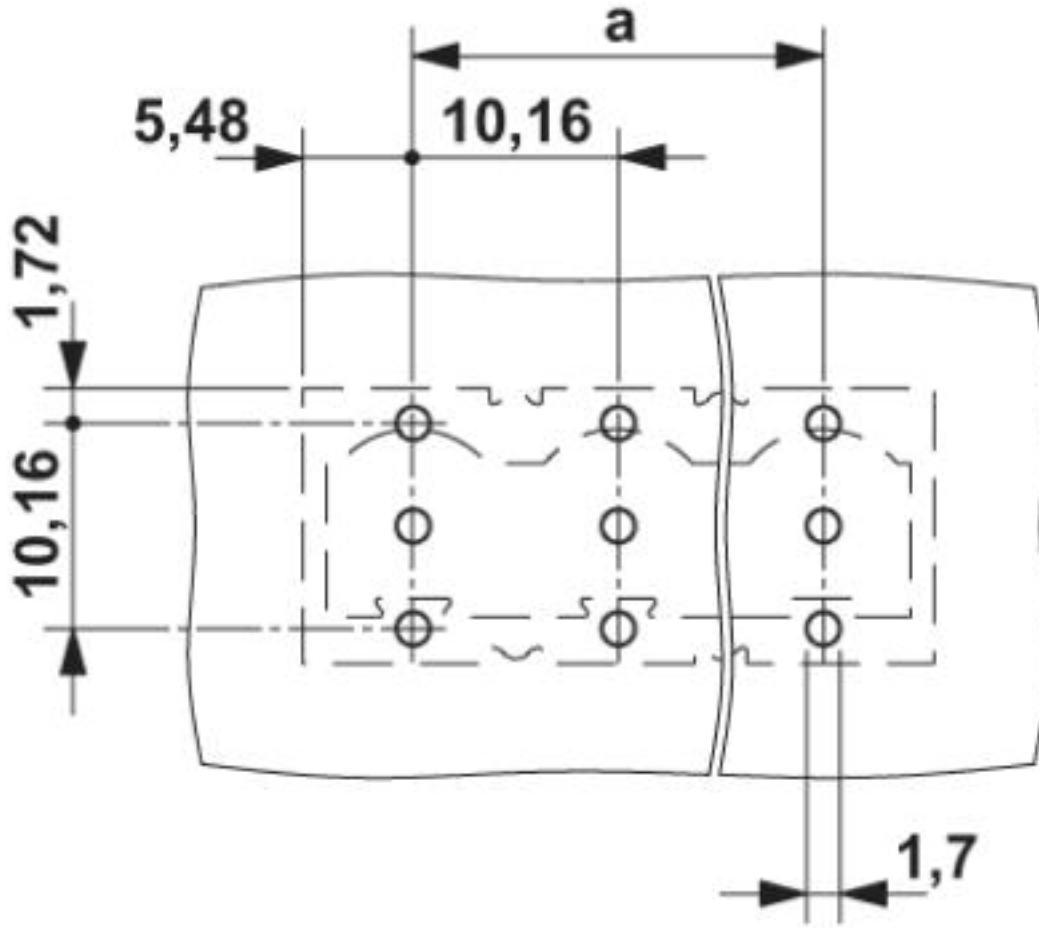
Environmental Product Compliance

China RoHS	Environmentally friendly use period: unlimited = EFUP-e
	No hazardous substances above threshold values

Drawings

Feed-through header - IPCV 16/ 4-G-10,16 - 1969713

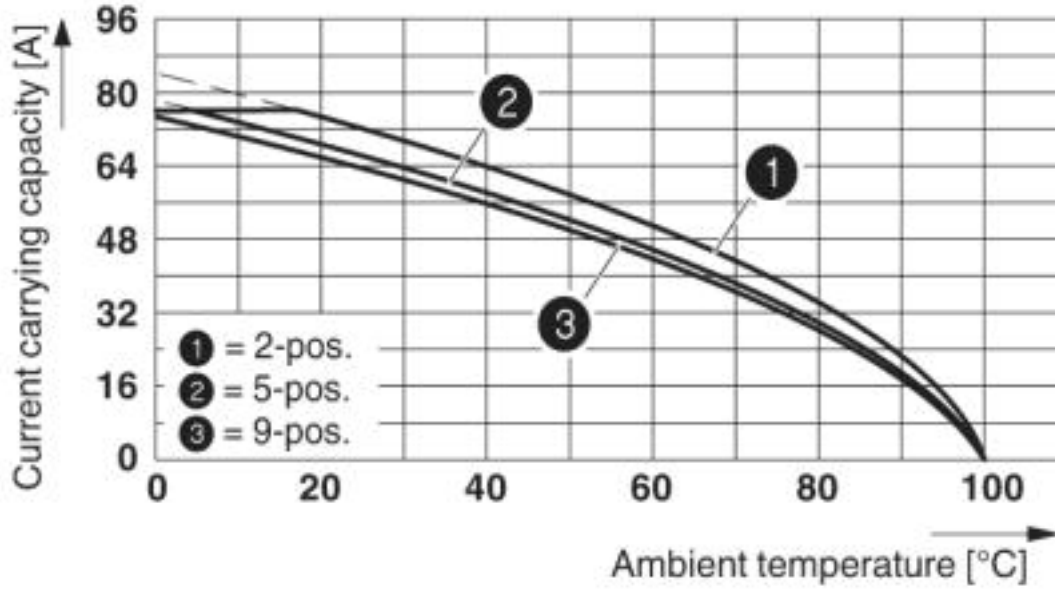
Drilling diagram



The figure shows the 3-pos. version

Feed-through header - IPCV 16/ 4-G-10,16 - 1969713

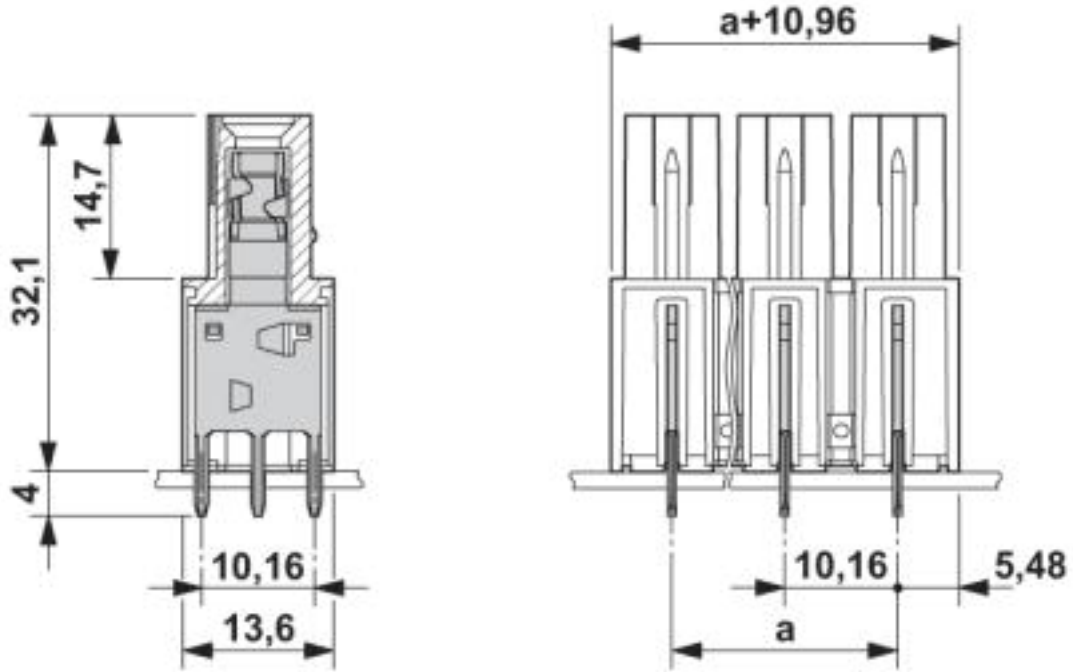
Diagram



Derating curve for: ISPC 16/...-ST-10,16 with IPCV 16/...-G-10,16

Feed-through header - IPCV 16/ 4-G-10,16 - 1969713

Dimensional drawing



The figure shows the 3-pos. version

Classifications

eCl@ss

eCl@ss 4.0	27260700
eCl@ss 4.1	27260700
eCl@ss 5.0	27260700
eCl@ss 5.1	27260700
eCl@ss 6.0	27260700
eCl@ss 7.0	27440402
eCl@ss 8.0	27440402
eCl@ss 9.0	27440402

ETIM

ETIM 3.0	EC001121
ETIM 4.0	EC002637
ETIM 5.0	EC002637
ETIM 6.0	EC002637
ETIM 7.0	EC002637

Feed-through header - IPCV 16/ 4-G-10,16 - 1969713

Classifications

UNSPSC

UNSPSC 6.01	30211810
UNSPSC 7.0901	39121409
UNSPSC 11	39121409
UNSPSC 12.01	39121409
UNSPSC 13.2	39121409

Approvals


Approvals


Approvals

IECEE CB Scheme / SEV / EAC / cULus Recognized

Ex Approvals

Approval details

IECEE CB Scheme		http://www.iecee.org/	CH-8077
Nominal voltage UN		1000 V	
Nominal current IN		76 A	

SEV		https://www.electrosuisse.ch/de/meta/shop/produktezertifikate.html	IK-3431
Nominal voltage UN		1000 V	
Nominal current IN		76 A	

EAC		B.01742	
-----	---	---------	--

Feed-through header - IPCV 16/ 4-G-10,16 - 1969713

Approvals

cULus Recognized		http://database.ul.com/cgi-bin/XYV/template/LISEXT/1FRAME/index.htm	E60425-20040202
	B	C	D
Nominal voltage UN	300 V	300 V	600 V
Nominal current IN	66 A	66 A	5 A

Accessories

Accessories

Coding element

Coding profile - CP-PC RD - 1701967



Coding profile, for plugging into the coding ribs of the plug at a later date, insulating material, color: Red

Accessories - CS-IPC 16/ 6 - 1970016



Coding pin, serves to ensure correct polarization on the PCB during manual mounting

Terminal marking

Marker card - SK U/5,0 WH:UNBEDRUCKT - 0803922



Marker card, Sheet, white, unlabeled, can be labeled with: PLOTMARK, CMS-P1-PLOTTER, Office printing systems, mounting type: adhesive, for terminal block width: 210 mm, lettering field size: 186 x 5 mm, Number of individual labels: 630

Additional products

Feed-through header - IPCV 16/ 4-G-10,16 - 1969713

Accessories

Printed-circuit board connector - IPC 16/ 4-ST-10,16 - 1969399



PCB connector, nominal current: 76 A, number of positions: 4, pitch: 10.16 mm, connection method: Screw connection with tension sleeve, color: green, contact surface: Silver

Printed-circuit board connector - ISPC 16/ 4-ST-10,16 - 1748561



PCB connector, nominal current: 76 A, number of positions: 4, pitch: 10.16 mm, connection method: Push-in spring connection, color: green, contact surface: Silver

Feed-through header - PC 6-16/ 4-G1-10,16 - 1998959



PCB headers, nominal current: 76 A, number of positions: 4, pitch: 10.16 mm, color: green, contact surface: Silver, mounting: Wave soldering

Feed-through header - PC 6-16/ 4-G1U-10,16 - 1996252



PCB headers, nominal current: 76 A, number of positions: 4, pitch: 10.16 mm, color: green, contact surface: Silver, mounting: Wave soldering

Feed-through header - PCV 6-16/ 4-G1-10,16 - 1998807



PCB headers, nominal current: 76 A, number of positions: 4, pitch: 10.16 mm, color: green, contact surface: Silver, mounting: Wave soldering
