

Sleeve housing - VC-K-T1-Z - 1852930

Please be informed that the data shown in this PDF Document is generated from our Online Catalog. Please find the complete data in the user's documentation. Our General Terms of Use for Downloads are valid (<http://phoenixcontact.com/download>)



Plastic sleeve housing, locking screws with cylindrical head, type 1, cable screw connection Pg16

Your advantages

- Seals with two cable entries are available
- Angled cable outlet so the cable can be routed as desired, from the side and straight

Key Commercial Data

Packing unit	1 pc
Minimum order quantity	5 pc
GTIN	 4 017918 133917
GTIN	4017918133917
Weight per Piece (excluding packing)	47.200 g
Custom tariff number	85472000
Country of origin	Poland

Technical data

Dimensions

Height	65 mm
--------	-------

Ambient conditions

Degree of protection	IP67
Ambient temperature (operation)	-40 °C ... 80 °C

General

Sleeve housing - VC-K-T1-Z - 1852930

Technical data

General

Note	When using fiber optics, the bending radii of the cable manufacturers must be observed.
Type	VC1
Degree of protection	IP67
Flammability rating according to UL 94	V0
Locking type	Screw locking, cylinder head
Fixing screws	M4
Tightening torque, mounting screw	1.5 Nm \pm 0.3 Nm
Type of the screw connection	Pg16
Cable outlet	Angled
Housing material	Polyamide
Seal material	EPDM
Ambient temperature (operation)	-40 °C ... 80 °C

Standards and Regulations

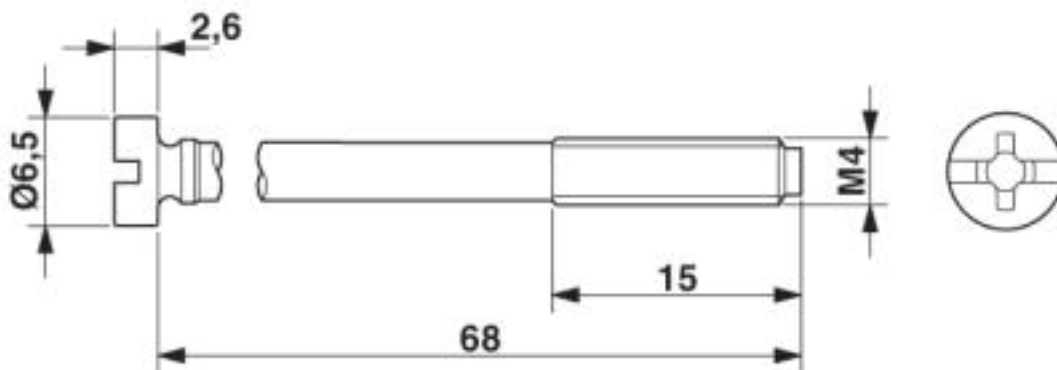
Flammability rating according to UL 94	V0
--	----

Environmental Product Compliance

China RoHS	Environmentally friendly use period: unlimited = EFUP-e
	No hazardous substances above threshold values

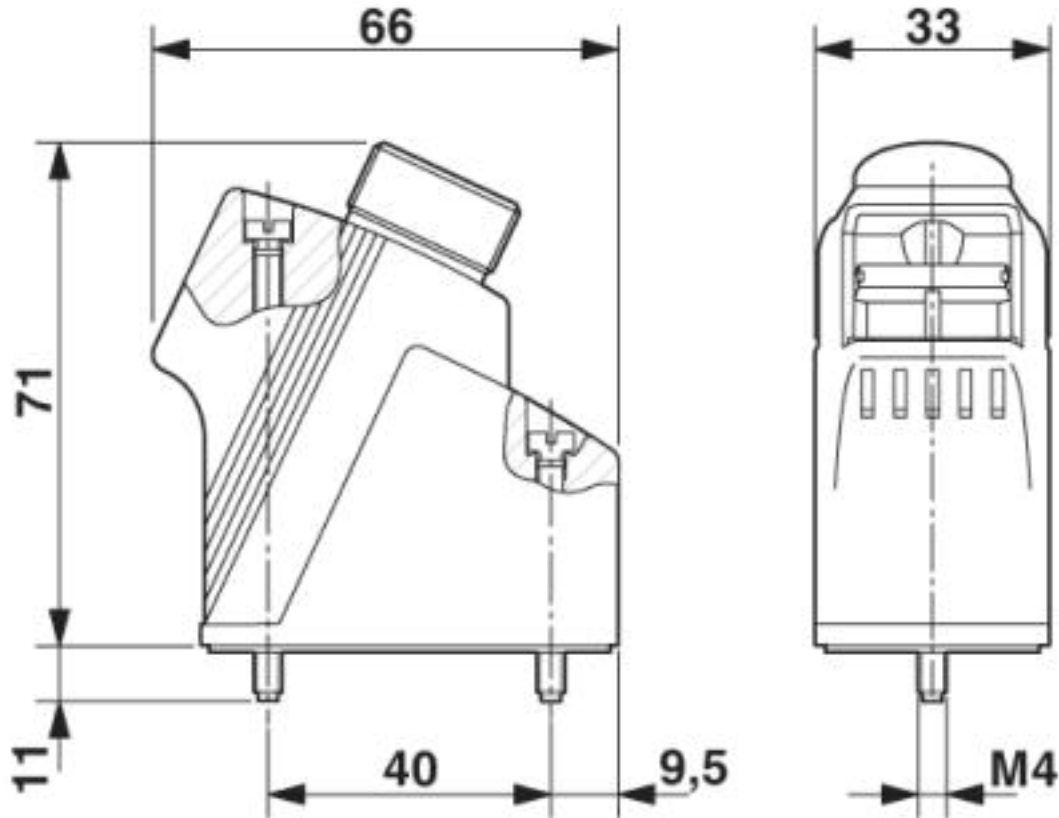
Drawings

Dimensional drawing

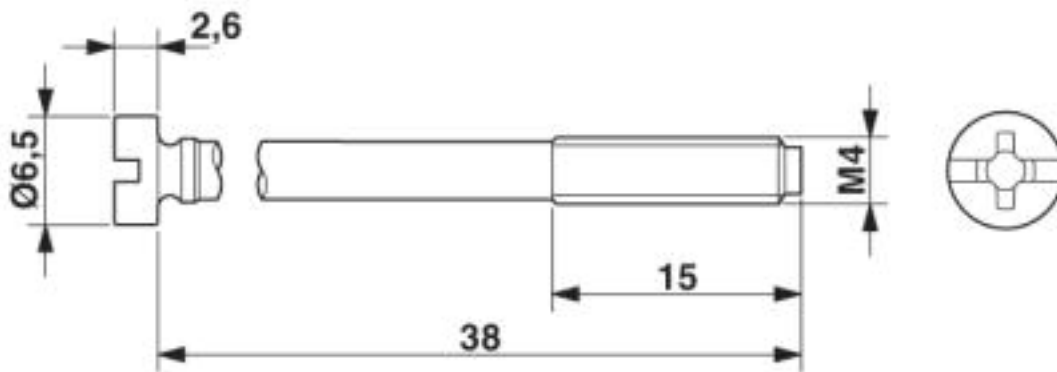


Sleeve housing - VC-K-T1-Z - 1852930

Dimensional drawing



Dimensional drawing



Classifications

eCl@ss

eCl@ss 4.0	27140800
------------	----------

Sleeve housing - VC-K-T1-Z - 1852930

Classifications

eCl@ss

eCl@ss 4.1	27140800
eCl@ss 5.0	27371200
eCl@ss 5.1	27261200
eCl@ss 6.0	27261200
eCl@ss 7.0	27440202
eCl@ss 8.0	27440202
eCl@ss 9.0	27440202

ETIM

ETIM 2.0	EC000437
ETIM 3.0	EC000437
ETIM 4.0	EC000437
ETIM 5.0	EC000437
ETIM 6.0	EC000437
ETIM 7.0	EC000437

UNSPSC

UNSPSC 6.01	31261501
UNSPSC 7.0901	31261501
UNSPSC 11	31261501
UNSPSC 12.01	31261501
UNSPSC 13.2	31261501

Approvals


Approvals

Approvals

EAC

Ex Approvals

Approval details

EAC		B.01742
-----	---	---------

Sleeve housing - VC-K-T1-Z - 1852930

Accessories

Accessories

Half screw connection

Cable gland - VC-K-KV-PG16(4- 6,5) - 1854459



Half screw connection Pg16, made of plastic, consisting of rubber seal with one hole and one pressure screw, for type 1 housings, cable [mm] 4 - 6.5

Cable gland - VC-K-KV-PG16(5- 8) - 1853735



Pg16 half screw connection, plastic, comprising rubber seal with one hole and a pressure screw, for type 1 housing, cable: 5 - 8 [mm]

Cable gland - VC-K-KV-PG16(6,5- 9,5) - 1853748



Pg16 half screw connection, plastic, comprising rubber seal with one hole and a pressure screw, for type 1 housing, cable: 6.5 - 9.5 [mm]

Cable gland - VC-K-KV-PG16(7-10,5) - 1853751



Pg16 half screw connection, plastic, comprising rubber seal with one hole and a pressure screw, for type 1 housing, cable: 7 - 10.5 [mm]

Cable gland - VC-K-KV-PG16(9-13) - 1853764



Half screw connection Pg16, made of plastic, consisting of rubber seal with one hole and one pressure screw, for type 1 housings, cable [mm] 9 - 13

Sleeve housing - VC-K-T1-Z - 1852930

Accessories

Cable gland - VC-K-KV-PG16(11,5-15,5) - 1854844



Half screw connection Pg16, made of plastic, consisting of rubber seal with one hole and one pressure screw, for type 1 housings, cable [mm] 11.5 - 15.5

Cable gland - VC-K-KV-PG16 7/14 - 1607664



Half screw connection Pg16, made of plastic, consisting of rubber seal with one hole and one pressure screw, for type 1 housings, cable [mm] 7 - 14

Multiple screw connection

Cable gland - VC-K-KV-PG16 1X3/1X8 - 1885376



Half screw connection Pg16, made of plastic, consisting of rubber seal with several holes (1 x 3 mm/1 x 8 mm) and a pressure screw, for cable screw connection support VC-M-KV-PG16....

Cable gland - VC-K-KV-PG16 1X3/1X9 - 1885389



Half screw connection Pg16, made of plastic, consisting of rubber seal with several holes (1 x 6 mm/1 x 9 mm) and a pressure screw, for cable screw connection support VC-M-KV-PG16....

Cable gland - VC-K-KV-PG16 1X6/1X8 - 1885392



Half screw connection Pg16, made of plastic, consisting of rubber seal with several holes (1 x 6 mm/1 x 8 mm) and a pressure screw, for cable screw connection support VC-M-KV-PG16....

Sleeve housing - VC-K-T1-Z - 1852930

Accessories

Cable gland - VC-K-KV-PG16 1X5/1X9 - 1885402



Half screw connection Pg16, made of plastic, consisting of rubber seal with several holes (1 x 5 mm/1 x 9 mm) and a pressure screw, for cable screw connection support VC-M-KV-PG16....

Cable gland - VC-K-KV-PG16 1X3/2X8 - 1885415



Half screw connection Pg16, made of plastic, consisting of rubber seal with several holes (1 x 3 mm/2 x 8 mm) and a pressure screw, for cable screw connection support VC-M-KV-PG16....

Cable gland - VC-K-KV-PG16 1X5/2X6 - 1885428



Half screw connection Pg16, made of plastic, consisting of rubber seal with several holes (1 x 5 mm/2 x 6 mm) and a pressure screw, for cable screw connection thread VC-M-KV-PG16....

Cable gland - VC-K-KV-PG16 2X6/1X7 - 1885431



Half screw connection Pg16, made of plastic, consisting of rubber seal with several holes (2 x 6 mm/1 x 7 mm) and a pressure screw, for cable screw connection thread VC-M-KV-PG16....

Cable gland - VC-K-KV-PG16 3X7 - 1885444



Half screw connection Pg16, made of plastic, consisting of rubber seal with several holes (3 x 7 mm) and one pressure screw, for cable screw connection support VC-M-KV-PG16....

Protective cover

Sleeve housing - VC-K-T1-Z - 1852930

Accessories

Protective covers - VC-SD1 - 1853670



VARIOCON dust cover for panel mounting frame, with IP40 protection, type 1

Protective covers - VC-SD-T1 - 1886728



VARIOCON protective cover for sleeve housing, with IP50 protection, type 1, max. tightening torque: 1.6 Nm

Marking label - VC-BZS WH - 1852875



Marker labels, unprinted, 5-section, for individual labeling with M-PEN or CMS system, white

Connector component - VC-SCHR.ZYL-B-M4X38X15-Z2L-V4A - 1628354

M4x38x15 mm cylinder screw as replacement for VC sleeve housing

Connector component - VC-SCHR.ZYL-B-M4X68X15-Z2L-V4A - 1628355

M4x68x15 mm cylinder screw as replacement for VC sleeve housing

Connector component - VC-O-RING 3X1,5 NBR-NT70:100 - 1628356

O-ring as replacement for VC sleeve housing

Sleeve housing - VC-K-T1-Z - 1852930

Accessories

Marking label - VC-BZS WH - 1852875



Marker labels, unprinted, 5-section, for individual labeling with M-PEN or CMS system, white