

MCC 1/20-STZ-3,81 - PCB connector



1852354

<https://www.phoenixcontact.com/pc/products/1852354>

Please be informed that the data shown in this PDF document is generated from our Online Catalog. Please find the complete data in the user documentation. Our General Terms of Use for Downloads are valid.



PCB connector, nominal cross section: 1 mm², color: green, nominal current: 8 A, rated voltage (III/2): 160 V, type of contact: Socket, number of potentials: 20, number of rows: 1, number of positions: 20, number of connections: 20, product range: MCC 1/..-STZ, pitch: 3.81 mm, connection method: Crimp connection, conductor/PCB connection direction: 0 °, plug-in system: COMBICON MC 1,5, locking: without, mounting: without, type of packaging: packed in cardboard, Corresponding female crimp contacts with current [A] and conductor cross section range [mm²] data: 5A/MCC-MT 0,2-0,35 (1859988); 8A/MCC-MT 0,5-1,0 (1859991)

Your advantages

- Inexpensive connection of large quantities of preassembled conductors
- Pull-out aid facilitates handling and allows the tensile force to be reduced at the contact point

Commercial Data

Item number	1852354
Packing unit	50 pc
Minimum order quantity	1 pc
Note	Made to Order (non-returnable)
Product Key	AABCAA
GTIN	4017918143916
Weight per Piece (including packing)	5.98 g
Weight per Piece (excluding packing)	5.98 g
Customs tariff number	85366990
Country of origin	PL

MCC 1/20-STZ-3,81 - PCB connector



1852354

<https://www.phoenixcontact.com/pc/products/1852354>

Technical Data

Product properties

Type	Standard
Product line	COMBICON Connectors S
Product type	PCB connector
Product family	MCC 1/..-STZ
Number of positions	20
Pitch	3.81 mm
Number of connections	20
Number of rows	1
Mounting flange	without
Number of potentials	20

Electrical properties

Nominal current I_N	8 A
Nominal voltage U_N	160 V
Degree of pollution	3
Rated voltage (III/3)	160 V
Rated surge voltage (III/3)	2.5 kV
Rated voltage (III/2)	160 V
Rated surge voltage (III/2)	2.5 kV
Rated voltage (II/2)	320 V
Rated surge voltage (II/2)	2.5 kV

Connection data

Connection technology

Type	Standard
Connector system	COMBICON MC 1,5
Nominal cross section	1 mm ²
Type of contact	Socket

Interlock

Locking type	without
Mounting flange	without

Conductor connection

Connection method	Crimp connection
Conductor/PCB connection direction	0 °
Conductor cross section flexible	0.2 mm ² ... 1 mm ²
Conductor cross section AWG	24 ... 18

Material specifications

MCC 1/20-STZ-3,81 - PCB connector

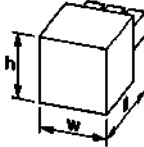
1852354

<https://www.phoenixcontact.com/pc/products/1852354>

Material data - housing

Color (Housing)	green (6021)
Insulating material	PA
Insulating material group	I
CTI according to IEC 60112	600
Flammability rating according to UL 94	V0
Glow wire flammability index GWFI according to EN 60695-2-12	850
Glow wire ignition temperature GWIT according to EN 60695-2-13	775
Temperature for the ball pressure test according to EN 60695-10-2	125 °C

Dimensions

Dimensional drawing	
Pitch	3.81 mm
Width [w]	76.99 mm
Height [h]	8.7 mm
Length [l]	23.1 mm

Mounting

Connection method	Crimp connection
-------------------	------------------

Environmental and real-life conditions

Ambient conditions

Ambient temperature (operation)	-40 °C ... 100 °C (dependent on the derating curve)
Ambient temperature (storage/transport)	-40 °C ... 70 °C
Relative humidity (storage/transport)	30 % ... 70 %
Ambient temperature (assembly)	-5 °C ... 100 °C

Electrical tests

Air clearances and creepage distances |

Insulating material group	I
Rated insulation voltage (III/3)	160 V
Rated surge voltage (III/3)	2.5 kV
Rated insulation voltage (III/2)	160 V
Rated surge voltage (III/2)	2.5 kV
Rated insulation voltage (II/2)	320 V
Rated surge voltage (II/2)	2.5 kV

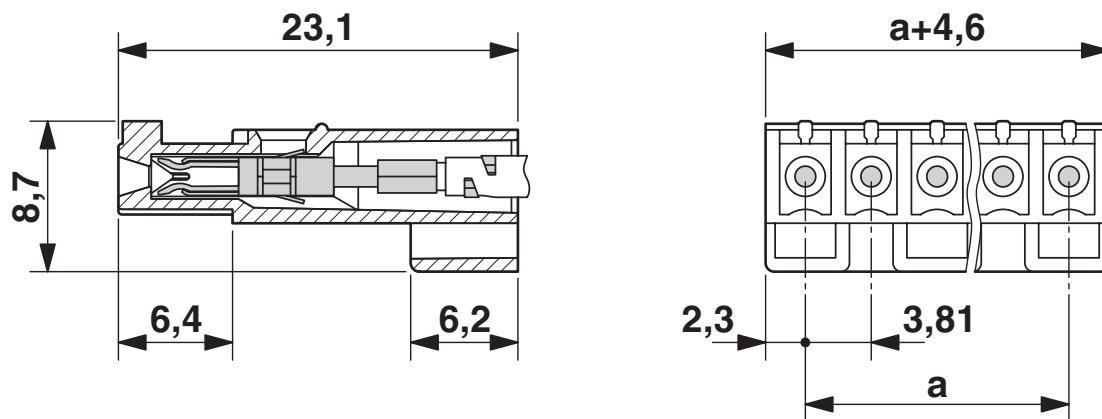
MCC 1/20-STZ-3,81 - PCB connector

1852354

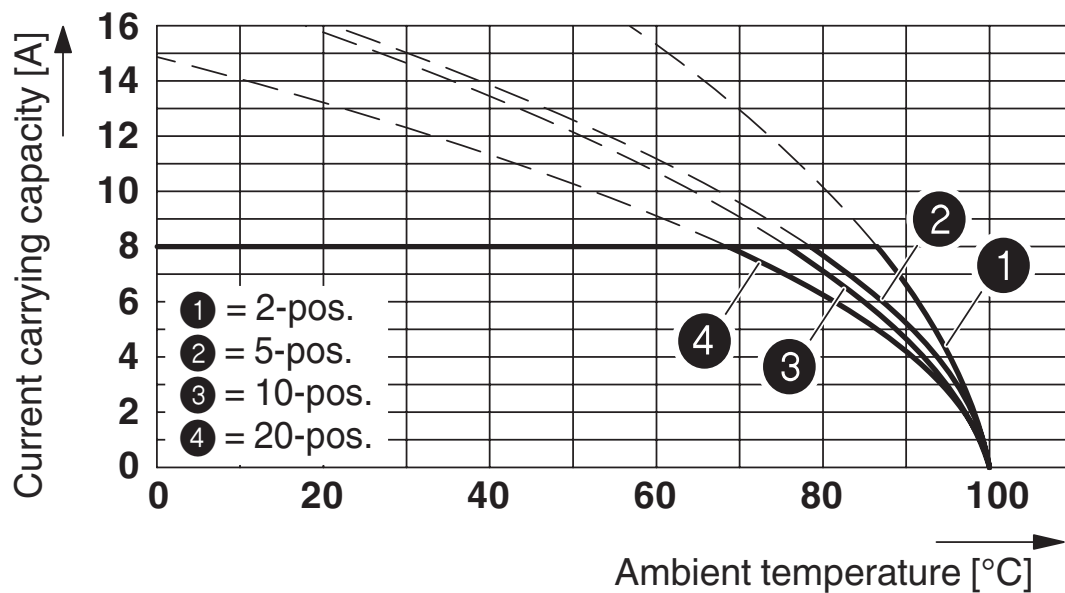
<https://www.phoenixcontact.com/pc/products/1852354>

Drawings

Dimensional drawing



Diagram



Type: MCC 1/...-ST-3,81 with MC 1,5/...-G-3,81; contact: MCC-MT 0,5 - 1,0

MCC 1/20-STZ-3,81 - PCB connector



1852354

<https://www.phoenixcontact.com/pc/products/1852354>

Approvals

To download certificates, visit the product detail page: <https://www.phoenixcontact.com/pc/products/1852354>



EAC

Approval ID: B.01687



cULus Recognized

Approval ID: E60425-20110128

	Nominal Voltage U_N	Nominal Current I_N	Cross Section AWG	Cross Section mm^2
Use group B	300 V	5 A	24 - 22	-
Use group D	300 V	5 A	24 - 22	-

MCC 1/20-STZ-3,81 - PCB connector



1852354

<https://www.phoenixcontact.com/pc/products/1852354>

Classifications

ECLASS

ECLASS-11.0	27460202
ECLASS-12.0	27460202
ECLASS-13.0	27460202

ETIM

ETIM 8.0	EC002638
----------	----------

UNSPSC

UNSPSC 21.0	39121400
-------------	----------

MCC 1/20-STZ-3,81 - PCB connector



1852354

<https://www.phoenixcontact.com/pc/products/1852354>

Environmental Product Compliance

China RoHS	Environmentally friendly use period: unlimited = EFUP-e
	No hazardous substances above threshold values

MCC 1/20-STZ-3,81 - PCB connector



1852354

<https://www.phoenixcontact.com/pc/products/1852354>

Accessories

MCC-MT 0,2-0,35 - Crimp contact

1859988

<https://www.phoenixcontact.com/pc/products/1859988>



Female contact, is inserted into the plug after crimping the conductor, for the module plug housing MCC 1...-STZ-3,81 and MCC 1...-STZF-3,81, for cross sections of 0.2 mm² to 0.34 mm²

MCC-MT 0,5-1,0 - Crimp contact

1859991

<https://www.phoenixcontact.com/pc/products/1859991>



Female contact, is inserted into the plug after crimping the conductor, for the module plug housing MCC 1...-STZ-3,81 and MCC 1...-STZF-3,81, for cross sections of 0.5 mm² to 1 mm²

MCC 1/20-STZ-3,81 - PCB connector

1852354

<https://www.phoenixcontact.com/pc/products/1852354>



CRIMPFOX-1,6-ER-1,50-GH - Crimping pliers

1772793

<https://www.phoenixcontact.com/pc/products/1772793>



Crimping pliers, for IBS DSUB.../C

SZS 0,4X2,5 VDE - Screwdriver

1205037

<https://www.phoenixcontact.com/pc/products/1205037>



Screwdriver, slot-headed, VDE insulated, size: 0.4 x 2.5 x 80 mm, 2-component grip, with non-slip grip

MCC 1/20-STZ-3,81 - PCB connector

1852354

<https://www.phoenixcontact.com/pc/products/1852354>

STZ 2-PCC 4-7,62 - Strain relief

1840214

<https://www.phoenixcontact.com/pc/products/1840214>

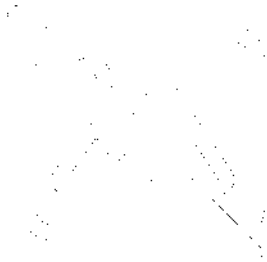


Strain relief, for the 3 to 4-position MCC 1/...STZ-3,81 and MCC 1/...STZF-3,81 plugs, for snapping into the latching chambers, can be labeled with ZB 6

STZ 3-PCC 4-7,62 - Strain relief

1840227

<https://www.phoenixcontact.com/pc/products/1840227>



Strain relief, for the 5 to 10-position MCC 1/...STZ-3,81 and MCC 1/...STZF-3,81 plugs, for snapping into the latching chambers, can be labeled with ZB 6

MCC 1/20-STZ-3,81 - PCB connector



1852354

<https://www.phoenixcontact.com/pc/products/1852354>

STZ 5-PCC 4-7,62 GN - Strain relief

1842005

<https://www.phoenixcontact.com/pc/products/1842005>

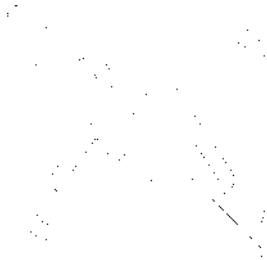


Strain relief, for the 11 to 15-position MCC 1/...STZ-3,81 and MCC 1/...STZF-3,81 plugs, for snapping into the latching chambers, can be labeled with ZB 6

STZ 8-PCC 4-7,62 - Strain relief

1840230

<https://www.phoenixcontact.com/pc/products/1840230>



Strain relief, for the 16 to 20-position MCC 1/...STZ-3,81 and MCC 1/...STZF-3,81 plugs, for snapping into the latching chambers, can be labeled with ZB 6

MCC 1/20-STZ-3,81 - PCB connector

1852354

<https://www.phoenixcontact.com/pc/products/1852354>

SK 3,81/2,8:FORTL.ZAHLEN - Marker card

0804109

<https://www.phoenixcontact.com/pc/products/0804109>



Marker card, white, labeled, horizontal: consecutive numbers 1 ... 10, 11 ... 20, etc. up to 91 ... (99)100, mounting type: adhesive, for terminal block width: 3.81 mm, lettering field size: 3.81 x 2.8 mm

MCC-MT 0,2-0,35 (0,0) BA - Crimp contact

1923717

<https://www.phoenixcontact.com/pc/products/1923717>



Female contact, is inserted into the plug after crimping the conductor, for the module plug housing MCC 1...-STZ-3,81 and MCC 1...--STZF-3,81, for cross sections of 0.2 mm² to 0.34 mm²

MCC 1/20-STZ-3,81 - PCB connector

1852354

<https://www.phoenixcontact.com/pc/products/1852354>

MCC-MT 0,5-1,0 BAND - Crimp contact

1898622

<https://www.phoenixcontact.com/pc/products/1898622>



Female contact, is inserted into the plug after crimping the conductor, for the module plug housing MCC 1...-STZ-3,81 and MCC 1...-STZF-3,81, for cross sections of 0.5 mm² to 1 mm²

MC 1,5/20-G-3,81 - PCB header

1841271

<https://www.phoenixcontact.com/pc/products/1841271>



PCB headers, nominal cross section: 1.5 mm², color: green, nominal current: 8 A, rated voltage (III/2): 160 V, contact surface: Tin, type of contact: Pin, number of potentials: 20, number of rows: 1, number of positions: 20, number of connections: 20, product range: MC 1,5/..-G, pitch: 3.81 mm, mounting: Wave soldering, pin layout: Linear pinning, solder pin [P]: 3.4 mm, number of solder pins per potential: 1, plug-in system: COMBICON MC 1,5, Pin connector pattern alignment: Standard, locking: without, mounting: without, type of packaging: packed in cardboard

MCC 1/20-STZ-3,81 - PCB connector

1852354

<https://www.phoenixcontact.com/pc/products/1852354>



MCV 1,5/20-G-3,81 - PCB header

1844922

<https://www.phoenixcontact.com/pc/products/1844922>



PCB headers, nominal cross section: 1.5 mm², color: green, nominal current: 8 A, rated voltage (III/2): 160 V, contact surface: Tin, type of contact: Pin, number of potentials: 20, number of rows: 1, number of positions: 20, number of connections: 20, product range: MCV 1,5/..-G, pitch: 3.81 mm, mounting: Wave soldering, pin layout: Linear pinning, solder pin [P]: 3.4 mm, number of solder pins per potential: 1, plug-in system: COMBICON MC 1,5, Pin connector pattern alignment: Standard, locking: without, mounting: without, type of packaging: packed in cardboard

Phoenix Contact 2023 © - all rights reserved

<https://www.phoenixcontact.com>

PHOENIX CONTACT GmbH & Co. KG

Flachsmarktstraße 8

D-32825 Blomberg

+49 (0) 5235-3 00

info@phoenixcontact.com