

MCC 1/ 9-STZ-3,81 - PCB connector



1852244

<https://www.phoenixcontact.com/de/produkte/1852244>

Please be informed that the data shown in this PDF document is generated from our online catalog. Please find the complete data in the user documentation. Our general terms of use for downloads are valid.



PCB connector, nominal cross section: 1 mm², color: green, nominal current: 8 A, rated voltage (III/2): 160 V, contact connection type: Socket, number of potentials: 9, number of rows: 1, number of positions: 9, number of connections: 9, product range: MCC 1/..-STZ, pitch: 3.81 mm, connection method: Crimp connection, conductor/PCB connection direction: 0 °, plug-in system: COMBICON MC 1,5, locking: without, mounting: without, type of packaging: packed in cardboard, Corresponding female crimp contacts with current [A] and conductor cross section range [mm²] data: 5A/MCC-MT 0,2-0,35 (1859988); 8A/MCC-MT 0,5-1,0 (1859991)

Your advantages

- Inexpensive connection of large quantities of preassembled conductors
- Pull-out aid facilitates handling and allows the tensile force to be reduced at the contact point

Commercial data

| | |
|--------------------------------------|--------------------------------|
| Item number | 1852244 |
| Packing unit | 50 pc |
| Minimum order quantity | 50 pc |
| Note | Made to order (non-returnable) |
| Sales key | E1 - Leiterplattenanschl. |
| Product key | AABCAA |
| Catalog page | Page 206 (C-1-2013) |
| GTIN | 4017918143817 |
| Weight per piece (including packing) | 2,735 g |
| Weight per piece (excluding packing) | 2,735 g |
| Customs tariff number | 85389099 |
| Country of origin | PL |

MCC 1/ 9-STZ-3,81 - PCB connector



1852244

<https://www.phoenixcontact.com/de/produkte/1852244>

Technical data

Product properties

| | |
|-----------------------|-----------------------|
| Type | Standard |
| Product line | COMBICON Connectors S |
| Product type | PCB connector |
| Product family | MCC 1/..-STZ |
| Number of positions | 9 |
| Pitch | 3.81 mm |
| Number of connections | 9 |
| Number of rows | 1 |
| Mounting flange | without |
| Number of potentials | 9 |

Electrical properties

| | |
|-----------------------------|--------|
| Nominal current I_N | 8 A |
| Nominal voltage U_N | 160 V |
| Degree of pollution | 3 |
| Rated voltage (III/3) | 160 V |
| Rated surge voltage (III/3) | 2.5 kV |
| Rated voltage (III/2) | 160 V |
| Rated surge voltage (III/2) | 2.5 kV |
| Rated voltage (II/2) | 320 V |
| Rated surge voltage (II/2) | 2.5 kV |

Connection data

Connection technology

| | |
|-------------------------|-------------------|
| Type | Standard |
| Connector system | COMBICON MC 1,5 |
| Nominal cross section | 1 mm ² |
| Contact connection type | Socket |

Interlock

| | |
|-----------------|---------|
| Locking type | without |
| Mounting flange | without |

Conductor connection

| | |
|------------------------------------|---|
| Connection method | Crimp connection |
| Conductor/PCB connection direction | 0 ° |
| Conductor cross section flexible | 0.2 mm ² ... 1 mm ² |
| Conductor cross section AWG | 24 ... 18 |

Material specifications

MCC 1/ 9-STZ-3,81 - PCB connector

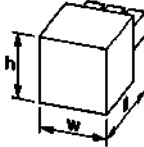
1852244

<https://www.phoenixcontact.com/de/produkte/1852244>

Material data - housing

| | |
|---|--------------|
| Color (Housing) | green (6021) |
| Insulating material | PA |
| Insulating material group | I |
| CTI according to IEC 60112 | 600 |
| Flammability rating according to UL 94 | V0 |
| Glow wire flammability index GWFI according to EN 60695-2-12 | 850 |
| Glow wire ignition temperature GWIT according to EN 60695-2-13 | 775 |
| Temperature for the ball pressure test according to EN 60695-10-2 | 125 °C |

Dimensions

| | |
|---------------------|---|
| Dimensional drawing |  |
| Pitch | 3.81 mm |
| Width [w] | 35.08 mm |
| Height [h] | 8.7 mm |
| Length [l] | 23.1 mm |

Mounting

| | |
|-------------------|------------------|
| Connection method | Crimp connection |
|-------------------|------------------|

Environmental and real-life conditions

Ambient conditions

| | |
|---|---|
| Ambient temperature (operation) | -40 °C ... 100 °C (dependent on the derating curve) |
| Ambient temperature (storage/transport) | -40 °C ... 70 °C |
| Relative humidity (storage/transport) | 30 % ... 70 % |
| Ambient temperature (assembly) | -5 °C ... 100 °C |

Electrical tests

Air clearances and creepage distances |

| | |
|----------------------------------|--------|
| Insulating material group | I |
| Rated insulation voltage (III/3) | 160 V |
| Rated surge voltage (III/3) | 2.5 kV |
| Rated insulation voltage (III/2) | 160 V |
| Rated surge voltage (III/2) | 2.5 kV |
| Rated insulation voltage (II/2) | 320 V |
| Rated surge voltage (II/2) | 2.5 kV |

MCC 1/ 9-STZ-3,81 - PCB connector

1852244

<https://www.phoenixcontact.com/de/produkte/1852244>



Packaging specifications

| Type of packaging |
|---------------------|
| packed in cardboard |

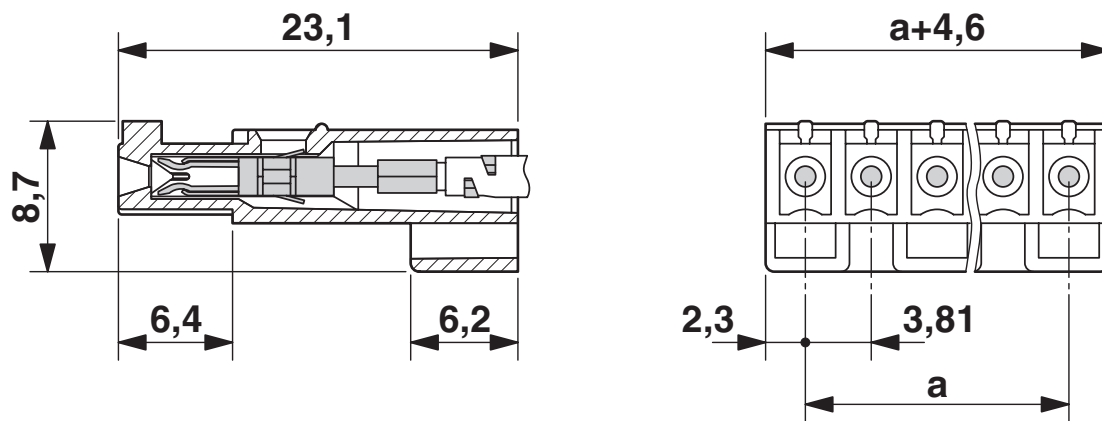
MCC 1/ 9-STZ-3,81 - PCB connector

1852244

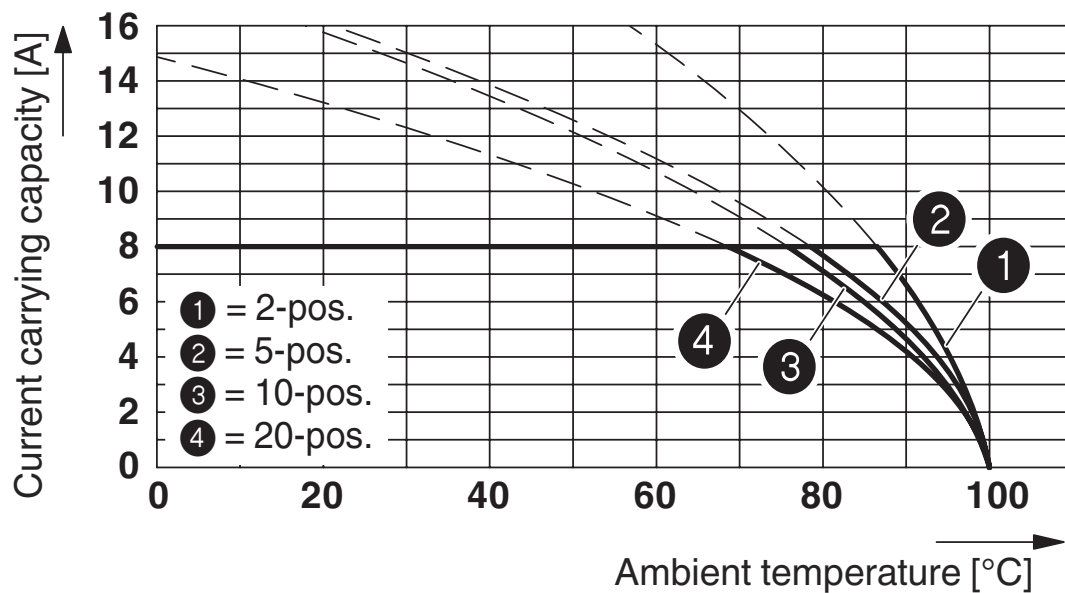
<https://www.phoenixcontact.com/de/produkte/1852244>

Drawings

Dimensional drawing



Diagram



Type: MCC 1/...-ST-3,81 with MC 1,5/...-G-3,81; contact: MCC-MT 0,5 - 1,0

MCC 1/ 9-STZ-3,81 - PCB connector



1852244

<https://www.phoenixcontact.com/de/produkte/1852244>

Approvals

To download certificates, visit the product detail page: <https://www.phoenixcontact.com/de/produkte/1852244>



EAC

Approval ID: B.01687



cULus Recognized

Approval ID: E60425-20110128

| | Nominal voltage U_N | Nominal current I_N | Cross section AWG | Cross section mm^2 |
|-------------|-----------------------|-----------------------|-------------------|-----------------------------|
| Use group B | 300 V | 5 A | 24 - 22 | - |
| Use group D | 300 V | 5 A | 24 - 22 | - |

MCC 1/ 9-STZ-3,81 - PCB connector



1852244

<https://www.phoenixcontact.com/de/produkte/1852244>

Classifications

ECLASS

| | |
|-------------|----------|
| ECLASS-11.0 | 27460202 |
| ECLASS-12.0 | 27460202 |
| ECLASS-13.0 | 27460202 |

ETIM

| | |
|----------|----------|
| ETIM 8.0 | EC002638 |
|----------|----------|

UNSPSC

| | |
|-------------|----------|
| UNSPSC 21.0 | 39121400 |
|-------------|----------|

MCC 1/ 9-STZ-3,81 - PCB connector



1852244

<https://www.phoenixcontact.com/de/produkte/1852244>

Environmental product compliance

| | |
|------------|---|
| China RoHS | Environmentally friendly use period: unlimited = EFUP-e |
| | No hazardous substances above threshold values |

MCC 1/ 9-STZ-3,81 - PCB connector



1852244

<https://www.phoenixcontact.com/de/produkte/1852244>

Accessories

MCC-MT 0,2-0,35 - Crimp contact

1859988

<https://www.phoenixcontact.com/de/produkte/1859988>



Female contact, is inserted into the plug after crimping the conductor, for the module plug housing MCC 1...-STZ-3,81 and MCC 1...--STZF-3,81, for cross sections of 0.2 mm² to 0.34 mm²

MCC-MT 0,5-1,0 - Crimp contact

1859991

<https://www.phoenixcontact.com/de/produkte/1859991>



Female contact, is inserted into the plug after crimping the conductor, for the module plug housing MCC 1...-STZ-3,81 and MCC 1...--STZF-3,81, for cross sections of 0.5 mm² to 1 mm²

MCC 1/ 9-STZ-3,81 - PCB connector

1852244

<https://www.phoenixcontact.com/de/produkte/1852244>



CRIMPFOX-1,6-ER-1,50-GH - Crimping pliers

1772793

<https://www.phoenixcontact.com/de/produkte/1772793>



Crimping pliers, for IBS DSUB.../C

SZS 0,4X2,5 VDE - Screwdriver

1205037

<https://www.phoenixcontact.com/de/produkte/1205037>



Screwdriver, slot-headed, VDE insulated, size: 0.4 x 2.5 x 80 mm, 2-component grip, with non-slip grip

MCC 1/ 9-STZ-3,81 - PCB connector

1852244

<https://www.phoenixcontact.com/de/produkte/1852244>

STZ 2-PCC 4-7,62 - Strain relief

1840214

<https://www.phoenixcontact.com/de/produkte/1840214>



Strain relief, for the PCC 4/..-ST and 3-pos. ... 4-pos. MCC 1/..-STZ(F) connector, for snapping into the latching chambers, can be labeled with ZB 6

STZ 3-PCC 4-7,62 - Strain relief

1840227

<https://www.phoenixcontact.com/de/produkte/1840227>



Strain relief, for the PCC 4/..-ST and 5-pos. ... 10-pos. MCC 1/..-STZ(F) connector, for snapping into the latching chambers, can be labeled with ZB 6

MCC 1/ 9-STZ-3,81 - PCB connector

1852244

<https://www.phoenixcontact.com/de/produkte/1852244>

STZ 5-PCC 4-7,62 GN - Strain relief

1842005

<https://www.phoenixcontact.com/de/produkte/1842005>



Strain relief, for the PCC 4/...-ST and 11-pos. ... 15-pos. MCC 1/...-STZ(F) connector, for snapping into the latching chambers, can be labeled with ZB 6

STZ 8-PCC 4-7,62 - Strain relief

1840230

<https://www.phoenixcontact.com/de/produkte/1840230>



Strain relief, for the PCC 4/...-ST and 16-pos. ... 20-pos. MCC 1/...-STZ(F) connector, for snapping into the latching chambers, can be labeled with ZB 6

MCC 1/ 9-STZ-3,81 - PCB connector

1852244

<https://www.phoenixcontact.com/de/produkte/1852244>

SK 3,81/2,8:FORTL.ZAHLEN - Marker card

0804109

<https://www.phoenixcontact.com/de/produkte/0804109>



Marker card, white, labeled, horizontal: consecutive numbers 1 ... 10, 11 ... 20, etc. up to 91 ... (99)100, mounting type: adhesive, for terminal block width: 3.81 mm, lettering field size: 3.81 x 2.8 mm

MCC-MT 0,2-0,35 (0,0) BA - Crimp contact

1923717

<https://www.phoenixcontact.com/de/produkte/1923717>



Female contact, is inserted into the plug after crimping the conductor, for the module plug housing MCC 1...-STZ-3,81 and MCC 1...-STZF-3,81, for cross sections of 0.2 mm² to 0.34 mm²

MCC 1/ 9-STZ-3,81 - PCB connector

1852244

<https://www.phoenixcontact.com/de/produkte/1852244>



MCC-MT 0,5-1,0 BAND - Crimp contact

1898622

<https://www.phoenixcontact.com/de/produkte/1898622>



Female contact, is inserted into the plug after crimping the conductor, for the module plug housing MCC 1...-STZ-3,81 and MCC 1...-STZF-3,81, for cross sections of 0.5 mm² to 1 mm²

MCV 1,5/ 9-G-3,81 P14 THR - PCB header

1707078

<https://www.phoenixcontact.com/de/produkte/1707078>



PCB headers, nominal cross section: 1.5 mm², color: black, nominal current: 8 A, rated voltage (III/2): 160 V, contact surface: Tin, contact connection type: Pin, number of potentials: 9, number of rows: 1, number of positions: 9, number of connections: 9, product range: MCV 1,5/..-G-THR, pitch: 3.81 mm, mounting: THR soldering, pin layout: Linear pinning, solder pin [P]: 1.4 mm, number of solder pins per potential: 1, plug-in system: COMBICON MC 1,5, Pin connector pattern alignment: Standard, locking: without, mounting: without, type of packaging: packed in cardboard, For user information and design recommendations for through-hole reflow technology, go to: Downloads

MCC 1/ 9-STZ-3,81 - PCB connector

1852244

<https://www.phoenixcontact.com/de/produkte/1852244>



MCV 1,5/ 9-G-3,81 P26 THR - PCB header

1707492

<https://www.phoenixcontact.com/de/produkte/1707492>



PCB headers, nominal cross section: 1.5 mm², color: black, nominal current: 8 A, rated voltage (III/2): 160 V, contact surface: Tin, contact connection type: Pin, number of potentials: 9, number of rows: 1, number of positions: 9, number of connections: 9, product range: MCV 1,5/..-G-THR, pitch: 3.81 mm, mounting: THR soldering, pin layout: Linear pinning, solder pin [P]: 2.6 mm, number of solder pins per potential: 1, plug-in system: COMBICON MC 1,5, Pin connector pattern alignment: Standard, locking: without, mounting: without, type of packaging: packed in cardboard, For user information and design recommendations for through-hole reflow technology, go to: Downloads

MCO 1,5/ 9-GL-3,81 - PCB header

1861798

<https://www.phoenixcontact.com/de/produkte/1861798>



PCB headers, nominal cross section: 1.5 mm², color: green, nominal current: 8 A, rated voltage (III/2): 160 V, contact surface: Tin, contact connection type: Pin, number of potentials: 9, number of rows: 1, number of positions: 9, number of connections: 9, product range: MCO 1,5/..-GL, pitch: 3.81 mm, mounting: Wave soldering, pin layout: Linear pinning, solder pin [P]: 3 mm, number of solder pins per potential: 1, plug-in system: COMBICON MC 1,5, locking: without, mounting: without, type of packaging: packed in cardboard

Phoenix Contact 2023 © - all rights reserved
<https://www.phoenixcontact.com>

PHOENIX CONTACT Deutschland GmbH
Flachsmarktstraße 8
D-32825 Blomberg
+49 52 35/3-1 20 00
info@phoenixcontact.de