

## PCB terminal block - SPT 35/ 3-V-15,00 - 1845357

Please be informed that the data shown in this PDF Document is generated from our Online Catalog. Please find the complete data in the user's documentation. Our General Terms of Use for Downloads are valid (<http://phoenixcontact.com/download>)



PCB terminal block, nominal current: 125 A, rated voltage (III/2): 1000 V, nominal cross section: 35 mm<sup>2</sup>, pitch: 15 mm, number of positions: 3, connection method: Push-in spring connection, mounting: Wave soldering, conductor/PCB connection direction: 90 °, color: green, Pin layout: Linear double pinning, Solder pin [P]: 5.9 mm

The figure shows a 5-pos. version of the product

### Your advantages

- Time saving push-in connection, tools not required
- Defined contact force ensures that contact remains stable over the long term
- Clamping space opened by means of fixed screwdriver enables convenient conductor connection
- Vertical connection enables multi-row arrangement on the PCB



### Key Commercial Data

Packing unit	1 pc
Minimum order quantity	20 pc
GTIN	
GTIN	4046356989596
Weight per Piece (excluding packing)	74.000 g
Custom tariff number	85369010
Country of origin	China

### Technical data

#### Item properties

Brief article description	PCB terminal block
Range of articles	SPT 35/...-V
Pitch	15 mm
Number of positions	3

## PCB terminal block - SPT 35/ 3-V-15,00 - 1845357

### Technical data

#### Item properties

Connection method	Push-in spring connection
Mounting type	Wave soldering
Pin layout	Linear double pinning
Number of levels	1
Number of connections	3
Number of potentials	3

#### Electrical parameters

Nom. voltage	1000 V
--------------	--------

#### Connection capacity

Connection method	Push-in spring connection
Conductor cross section solid	1.5 mm <sup>2</sup> ... 16 mm <sup>2</sup>
Conductor cross section flexible	1.5 mm <sup>2</sup> ... 35 mm <sup>2</sup>
Conductor cross section flexible, with ferrule without plastic sleeve	1.5 mm <sup>2</sup> ... 35 mm <sup>2</sup>
Conductor cross section, flexible, with ferrule, with plastic sleeve	1.5 mm <sup>2</sup> ... 35 mm <sup>2</sup>
Stripping length	25 mm

#### Material data - contact

Note	WEEE/RoHS-compliant, free of whiskers according to IEC 60068-2-82/ JEDEC JESD 201
Contact material	Cu alloy
Metal surface terminal point (top layer)	Tin (10 - 16 µm Sn)
Metal surface soldering area (top layer)	Tin (10 - 16 µm Sn)

#### Material data - housing

Insulating material	PA
Insulating material group	I
CTI according to IEC 60112	600
Flammability rating according to UL 94	V0

#### Dimensions for the product

Length [ l ]	35.2 mm
Width [ w ]	47.75 mm
Height [ h ]	44.2 mm
Pitch	15 mm
Height (without solder pin)	38.3 mm
Solder pin [P]	5.9 mm
Pin spacing	16 mm
Pin dimensions	1.5 x 1.5 mm

# PCB terminal block - SPT 35/ 3-V-15,00 - 1845357

## Technical data

### Dimensions for the product

Dimension a	30 mm
-------------	-------

### Dimensions for PCB design

Hole diameter	2.2 mm
Pin spacing	16 mm

### Packaging information

Type of packaging	packed in cardboard
Pieces per package	20
Denomination packing units	Pcs.

### Ambient conditions

Ambient temperature (storage/transport)	-40 °C ... 70 °C
Ambient temperature (assembly)	-5 °C ... 100 °C
Ambient temperature (operation)	-40 °C ... 100 °C (Depending on the current carrying capacity/derating curve)

### Termination and connection method

Test for conductor damage and slackening	IEC 60999-1:1999-11
	Test passed

### Pull-out test

Pull-out test	IEC 60999-1:1999-11
	Test passed
Conductor cross section / conductor type / tensile force	1.5 mm <sup>2</sup> / solid / > 40 N
	1.5 mm <sup>2</sup> / flexible / > 40 N
	16 mm <sup>2</sup> / solid / > 90 N
	35 mm <sup>2</sup> / stranded / > 190 N
	35 mm <sup>2</sup> / flexible with ferrule / > 190 N

### Electrical tests

Rated current	125 A
Conductor cross section	35 mm <sup>2</sup>
Rated voltage (III/2)	1000 V
Rated surge voltage (III/2)	8 kV

### Air clearances and creepage distances

Rated insulation voltage (III/3)	1000 V
Rated insulation voltage (III/2)	1000 V
Rated insulation voltage (II/2)	1000 V
Rated surge voltage (III/3)	8 kV
Rated surge voltage (III/2)	8 kV

## PCB terminal block - SPT 35/ 3-V-15,00 - 1845357

### Technical data

#### Air clearances and creepage distances

Rated surge voltage (II/2)	6 kV
----------------------------	------

#### Current carrying capacity / derating curves

#### Vibration test

Specification	IEC 60068-2-6:2007-12
Result	Test passed
Frequency	10 - 150 - 10 Hz
Sweep speed	1 octave/min
Amplitude	0.35 mm (10 - 60.1 Hz)
Test duration per axis	2.5 h

#### Standards and Regulations

Connection in acc. with standard	EN-VDE
Flammability rating according to UL 94	V0

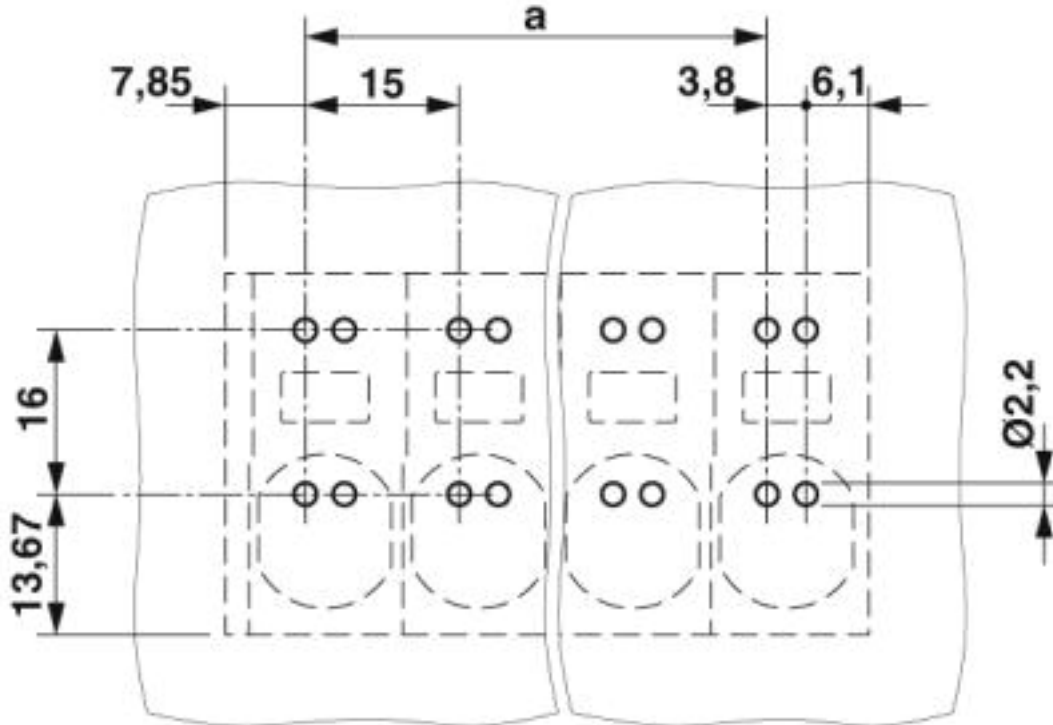
#### Environmental Product Compliance

China RoHS	Environmentally friendly use period: unlimited = EFUP-e
	No hazardous substances above threshold values

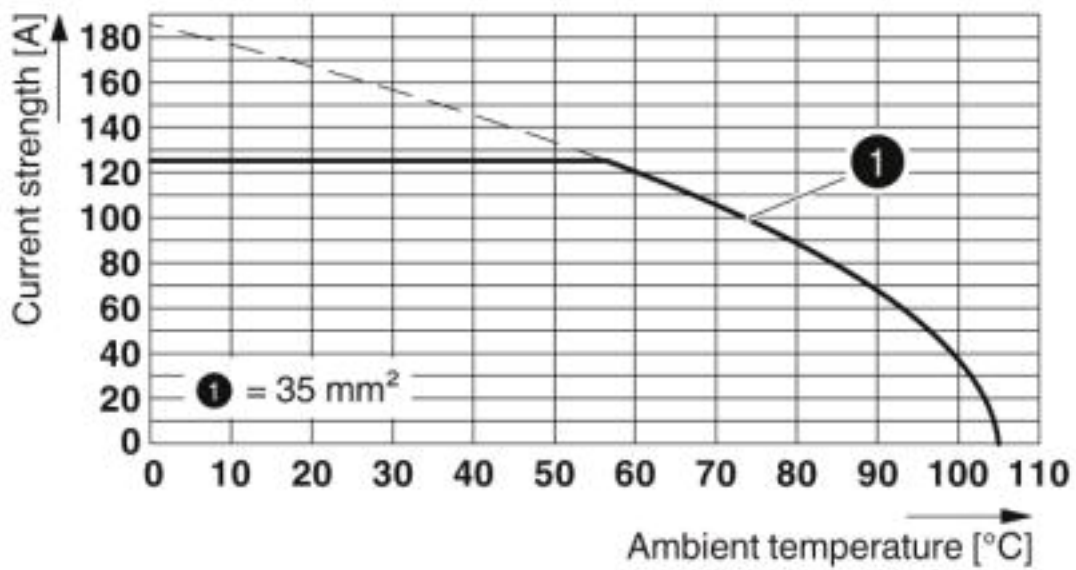
### Drawings

# PCB terminal block - SPT 35/ 3-V-15,00 - 1845357

Drilling diagram

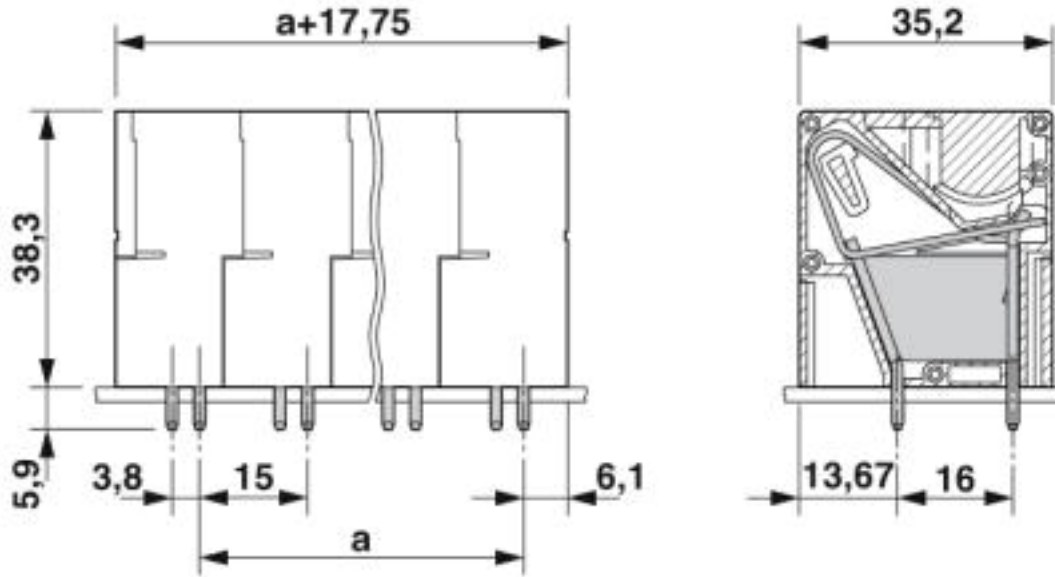


Diagram



# PCB terminal block - SPT 35/ 3-V-15,00 - 1845357

Dimensional drawing



## Classifications

eCl@ss

eCl@ss 5.1	27261100
eCl@ss 6.0	27261100
eCl@ss 7.0	27440401
eCl@ss 8.0	27440401
eCl@ss 9.0	27440401

ETIM

ETIM 4.0	EC002643
ETIM 5.0	EC002643
ETIM 6.0	EC002643
ETIM 7.0	EC002643

UNSPSC

UNSPSC 13.2	39121432
UNSPSC 18.0	39121432
UNSPSC 19.0	39121432
UNSPSC 20.0	39121432
UNSPSC 21.0	39121432

# PCB terminal block - SPT 35/ 3-V-15,00 - 1845357

## Approvals


### Approvals


#### Approvals

IECEE CB Scheme / VDE Zeichengenehmigung / EAC / cULus Recognized


#### Ex Approvals

### Approval details

IECEE CB Scheme		<a href="http://www.iecee.org/">http://www.iecee.org/</a>	DE1-56113
Nominal voltage UN	1000 V		
Nominal current IN	125 A		
mm <sup>2</sup> /AWG/kcmil	35		

VDE Zeichengenehmigung		<a href="http://www2.vde.com/de/Institut/Online-Service/VDE-gepruefteProdukte/Seiten/Online-Suche.aspx">http://www2.vde.com/de/Institut/Online-Service/VDE-gepruefteProdukte/Seiten/Online-Suche.aspx</a>	40042909
Nominal voltage UN	1000 V		
Nominal current IN	125 A		
mm <sup>2</sup> /AWG/kcmil	4-35		

EAC			B.01742
-----	---	--	---------

cULus Recognized		<a href="http://database.ul.com/cgi-bin/XYV/template/LISEXT/1FRAME/index.htm">http://database.ul.com/cgi-bin/XYV/template/LISEXT/1FRAME/index.htm</a>	E60425-20061129
	B	C	
Nominal voltage UN	600 V	600 V	
Nominal current IN	101 A	101 A	
mm <sup>2</sup> /AWG/kcmil	14-2	14-2	

## PCB terminal block - SPT 35/ 3-V-15,00 - 1845357

### Accessories

#### Accessories

#### Crimping tool

##### Crimping pliers - CRIMPFOX 50R - 1212041



Crimping pliers, for ferrules without insulating collar according to DIN 46228 Part 1 and ferrules with insulating collar according to DIN 46228 Part 4, 35 mm<sup>2</sup> ... 50 mm<sup>2</sup>, lateral entry, WM crimp

---

##### Crimping pliers - CRIMPFOX 25R - 1212039



Crimping pliers, for ferrules without insulating collar according to DIN 46228 Part 1 and ferrules with insulating collar according to DIN 46228 Part 4, 10 mm<sup>2</sup> ... 25 mm<sup>2</sup>, lateral entry, WM crimp

---

#### Screwdriver tools

##### Screwdriver - SZF 3-1,0X5,5 - 1206612



Actuation tool, for ST terminal blocks, also suitable for use as a bladed screwdriver, size: 1.0 x 5.5 x 150 mm, 2-component grip, with non-slip grip

---