

## Base strip - PTSM 0,5/ 2-HHI0-2,5-SMD R24 - 1815125

Please be informed that the data shown in this PDF Document is generated from our Online Catalog. Please find the complete data in the user's documentation. Our General Terms of Use for Downloads are valid (<http://phoenixcontact.com/download>)



Header, Nominal current: 6 A, Rated voltage (III/2): 160 V, Number of positions: 2, Pitch: 2.5 mm, Color: black, Contact surface: Tin, Mounting: SMD soldering

The illustration shows a 3-position version

### Why buy this product

- ✓ Designed for integration into the SMT soldering process
- ✓ Supplied in tape-on-reel packing according to IEC 60286-3 for automated mounting
- ✓ Inverted header with socket contacts for touch-proof device outputs or PCB/PCB connections
- ✓ Additional solder anchors reduce the mechanical strain on the soldering spots



### Key Commercial Data

Packing unit	1 STK
Minimum order quantity	500 STK
Weight per Piece (excluding packing)	1.480 g
Custom tariff number	85369010
Country of origin	Germany

### Technical data

#### Dimensions

Length	12 mm
Pitch	2.50 mm
Dimension a	2.5 mm
Height	5 mm

#### General

Range of articles	PTSM 0,5/..-HHI-SMD
Insulating material group	IIIa

# Base strip - PTSM 0,5/ 2-HHI0-2,5-SMD R24 - 1815125

## Technical data

### General

Rated surge voltage (III/3)	2.5 kV
Rated surge voltage (III/2)	2.5 kV
Rated surge voltage (II/2)	2.5 kV
Rated voltage (III/3)	63 V
Rated voltage (III/2)	160 V
Rated voltage (II/2)	160 V
Nominal current $I_N$	6 A
Maximum load current	6 A
Insulating material	LCP
Flammability rating according to UL 94	V0
Color	black
Number of positions	2

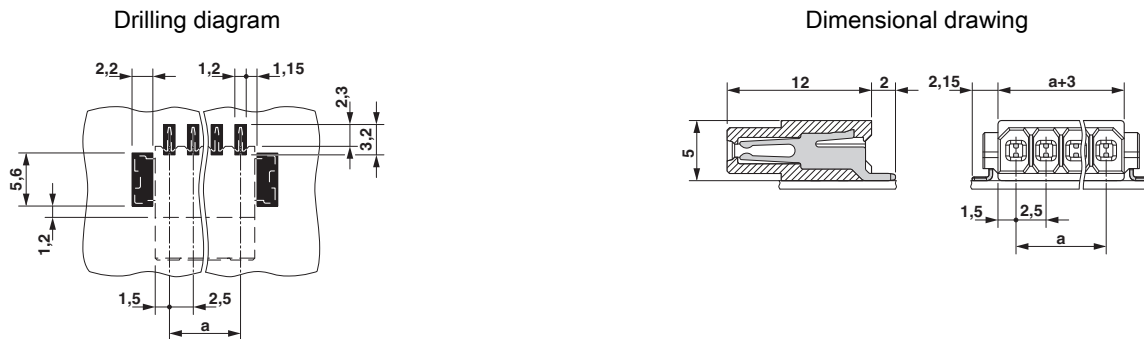
### Standards and Regulations

Connection in acc. with standard	UL
Flammability rating according to UL 94	V0

### Environmental Product Compliance

China RoHS	Environmentally friendly use period: unlimited = EFUP-e
	No hazardous substances above threshold values

## Drawings



## Approvals

Approvals

Approvals

UL Recognized / EAC

## Base strip - PTSM 0,5/ 2-HHI0-2,5-SMD R24 - 1815125


### Approvals

---

Ex Approvals

---

### Approval details

UL Recognized  <a href="http://database.ul.com/cgi-bin/XYV/template/LISEXT/1FRAME/index.htm">http://database.ul.com/cgi-bin/XYV/template/LISEXT/1FRAME/index.htm</a> FILE E 118976	
	B
Nominal current I <sub>N</sub>	5 A
Nominal voltage U <sub>N</sub>	150 V

EAC B.01742
-------------

---