

IPC 35 HC/ 5-STGF-15,00 - PCB connector



1784884

<https://www.phoenixcontact.com/de/produkte/1784884>

Please be informed that the data shown in this PDF document is generated from our Online Catalog. Please find the complete data in the user documentation. Our General Terms of Use for Downloads are valid.



PCB connector, nominal cross section: 35 mm², color: green, nominal current: 125 A, rated voltage (III/2): 1000 V, contact surface: Silver, type of contact: Male connector, number of potentials: 5, number of rows: 1, number of positions: 5, number of connections: 5, product range: IPC 35 HC/..-STGF, pitch: 15 mm, connection method: Screw connection with tension sleeve, screw head form: L Slotted, conductor/PCB connection direction: 0 °, locking clip: - without locking clip, plug-in system: COMBICON PC 35, locking: Screw locking, mounting: Threaded flange, type of packaging: packed in cardboard

Your advantages

- Well-known connection principle allows worldwide use
- Low temperature rise, thanks to maximum contact force
- Allows connection of two conductors
- Inverted connector with pin contacts for touch-proof device outputs or free-hanging cable/cable connections
- Screwable flange for superior mechanical stability

Commercial Data

Item number	1784884
Packing unit	10 pc
Minimum order quantity	10 pc
Sales Key	E1 - Leiterplattenanschl.
Product Key	AAEADC
Catalog Page	Page 589 (C-1-2013)
GTIN	4046356561198
Weight per Piece (including packing)	167,74 g
Weight per Piece (excluding packing)	161 g
Customs tariff number	85366990
Country of origin	PL

Technical Data

Product properties

Type	Standard
Product line	COMBICON Connectors XL
Product type	PCB plug
Product family	IPC 35 HC/...STGF
Number of positions	5
Pitch	15 mm
Number of connections	5
Number of rows	1
Mounting flange	Threaded flange
Number of potentials	5

Electrical properties

Nominal current I_N	125 A
Nominal voltage U_N	1000 V
Degree of pollution	3
Contact resistance	0.17 mΩ
Rated voltage (III/3)	1000 V
Rated surge voltage (III/3)	8 kV
Rated voltage (III/2)	1000 V
Rated surge voltage (III/2)	8 kV
	1000 V
Rated surge voltage (II/2)	6 kV

Connection data

Connection technology

Type	Standard
Connector system	COMBICON PC 35
Nominal cross section	35 mm ²
Type of contact	Male connector

Interlock

Locking type	Screw locking
Mounting flange	Threaded flange
Tightening torque	0.8 Nm

Conductor connection

Connection method	Screw connection with tension sleeve
Conductor/PCB connection direction	0 °
Conductor cross section solid	0.5 mm ² ... 35 mm ²
Conductor cross section flexible	0.5 mm ² ... 35 mm ²
Conductor cross section AWG	20 ... 2

IPC 35 HC/ 5-STGF-15,00 - PCB connector



1784884

<https://www.phoenixcontact.com/de/produkte/1784884>

Conductor cross section flexible, with ferrule without plastic sleeve	1 mm ² ... 35 mm ²
Conductor cross section, flexible, with ferrule, with plastic sleeve	1.5 mm ² ... 35 mm ²
2 conductors with same cross section, solid	0.5 mm ² ... 6 mm ²
2 conductors with same cross section, flexible	0.5 mm ² ... 6 mm ²
2 conductors with same cross section, flexible, with ferrule without plastic sleeve	0.5 mm ² ... 4 mm ²
2 conductors with the same cross section, flexible, with TWIN ferrule with plastic sleeve	0.5 mm ² ... 6 mm ²
Cylindrical gauge a x b / diameter	- / 8.0 mm
Stripping length	20 mm
Tightening torque	2.5 Nm ... 4.5 Nm ($\leq 25 \text{ mm}^2 = 2.5 \text{ Nm}$; $> 25 \text{ mm}^2 = 4.5 \text{ Nm}$)

Material specifications

Material data - contact

Note	WEEE/RoHS-compliant, free of whiskers according to IEC 60068-2-82/JEDEC JESD 201
Contact material	Cu alloy
Surface characteristics	Electroplated silver
Metal surface terminal point (top layer)	Silver (4 - 8 μm Ag)
Metal surface contact area (top layer)	Silver (4 - 8 μm Ag)

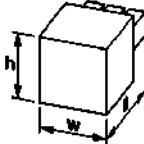
Material data - housing

Color (Housing)	green (6021)
Insulating material	PA
Insulating material group	I
CTI according to IEC 60112	600
Flammability rating according to UL 94	V0
Glow wire flammability index GWFI according to EN 60695-2-12	850
Glow wire ignition temperature GWIT according to EN 60695-2-13	775
Temperature for the ball pressure test according to EN 60695-10-2	125 °C

Material data – actuating element

Color ()	()
-----------	-----

Dimensions

Dimensional drawing	
Pitch	15 mm
Width [w]	76.3 mm
Height [h]	40 mm

IPC 35 HC/ 5-STGF-15,00 - PCB connector



1784884

<https://www.phoenixcontact.com/de/produkte/1784884>

Length [l]	58 mm
------------	-------

Mounting

Drive form screw head	Slotted (L)
Drive form screw head	Slotted (L)

Flange

Tightening torque	0.8 Nm
-------------------	--------

Attachment to feed-through panel

Tightening torque	1 Nm
Screw	1700368 DFK-PC 35 SS

Attachment on the PCB

Tightening torque	1 Nm
Screw	1700368 DFK-PC 35 SS

Notes

General	In accordance with IEC 61984, COMBICON connectors have no switching power (COC). During designated use, they must not be plugged in or disconnected when carrying voltage or under load.
---------	--

Mechanical tests

Test for conductor damage and slackening

Specification	IEC 60999-1:1999-11
Result	Test passed

Pull-out test

Specification	IEC 60999-1:1999-11
Conductor cross section/conductor type/tractive force setpoint/actual value	0.5 mm ² / solid / > 20 N
	0.5 mm ² / flexible / > 20 N
	35 mm ² / stranded / > 190 N
	35 mm ² / flexible / > 190 N

Insertion and withdrawal forces

Result	Test passed
No. of cycles	50
Insertion strength per pos. approx.	14 N
Withdraw strength per pos. approx.	9 N

Torque test

Specification	IEC 60999-1:1999-11
---------------	---------------------

Contact holder in insert

Specification	IEC 60512-15-1:2008-05
Contact holder in insert Requirements >20 N	Test passed

IPC 35 HC/ 5-STGF-15,00 - PCB connector



1784884

<https://www.phoenixcontact.com/de/produkte/1784884>

Resistance of inscriptions

Specification	IEC 60068-2-70:1995-12
Result	Test passed

Polarization and coding

Specification	IEC 60512-13-5:2006-02
Result	Test passed

Visual inspection

Specification	IEC 60512-1-1:2002-02
Result	Test passed

Dimension check

Specification	IEC 60512-1-2:2002-02
Result	Test passed

Environmental and real-life conditions

Vibration test

Specification	IEC 60068-2-6:2007-12
Frequency	10 - 150 - 10 Hz
Sweep speed	1 octave/min
Amplitude	0.35 mm (10 Hz ... 60.1 Hz)
Sweep speed	5g (60.1 Hz ... 150 Hz)
Test duration per axis	2.5 h

Durability test

Specification	IEC 60512-9-1:2010-03
Impulse withstand voltage at sea level	9.8 kV
Contact resistance R_1	0.17 m Ω
Contact resistance R_2	0.15 m Ω
Insertion/withdrawal cycles	50
Insulation resistance, neighboring positions	> 5 M Ω

Climatic test

Specification	ISO 6988:1985-02
Corrosive stress	0.2 dm ³ SO ₂ on 300 dm ³ /40 °C/1 cycle
Thermal stress	100 °C/168 h
Power-frequency withstand voltage	4.26 kV

Shocks

Specification	IEC 60068-2-27:2008-02
Pulse shape	Semi-sinusoidal
Acceleration	30g
Shock duration	18 ms
Test directions	X-, Y- and Z-axis (pos. and neg.)

IPC 35 HC/ 5-STGF-15,00 - PCB connector



1784884

<https://www.phoenixcontact.com/de/produkte/1784884>

Ambient conditions

Ambient temperature (operation)	-40 °C ... 100 °C (dependent on the derating curve)
Ambient temperature (storage/transport)	-40 °C ... 70 °C
Relative humidity (storage/transport)	30 % ... 70 %
Ambient temperature (assembly)	-5 °C ... 100 °C

Electrical tests

Thermal test | Test group C

Specification	IEC 60512-5-1:2002-02
Tested number of positions	6

Insulation resistance

Specification	IEC 60512-3-1:2002-02
Insulation resistance, neighboring positions	> 5 MΩ

Air clearances and creepage distances |

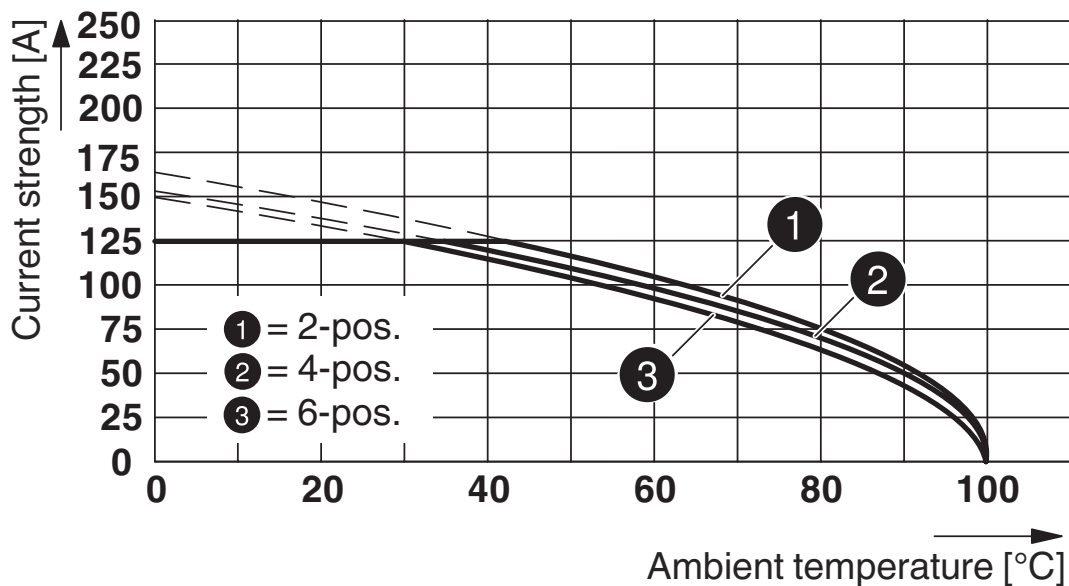
Specification	IEC 60664-1:2007-04
Insulating material group	I
Comparative tracking index (IEC 60112)	CTI 600
Rated insulation voltage (III/3)	1000 V
Rated surge voltage (III/3)	8 kV
minimum clearance value - non-homogenous field (III/3)	8 mm
minimum creepage distance (III/3)	12.5 mm
Rated insulation voltage (III/2)	1000 V
Rated surge voltage (III/2)	8 kV
minimum clearance value - non-homogenous field (III/2)	8 mm
minimum creepage distance (III/2)	8 mm
Rated insulation voltage (II/2)	1000 V
Rated surge voltage (II/2)	6 kV
minimum clearance value - non-homogenous field (II/2)	5.5 mm
minimum creepage distance (II/2)	5.5 mm

Packaging specifications

Type of packaging	packed in cardboard
-------------------	---------------------

Drawings

Diagram



PC 35 HC/..-STF-15,0 with IPC 35 HC/..-STGF-15,0

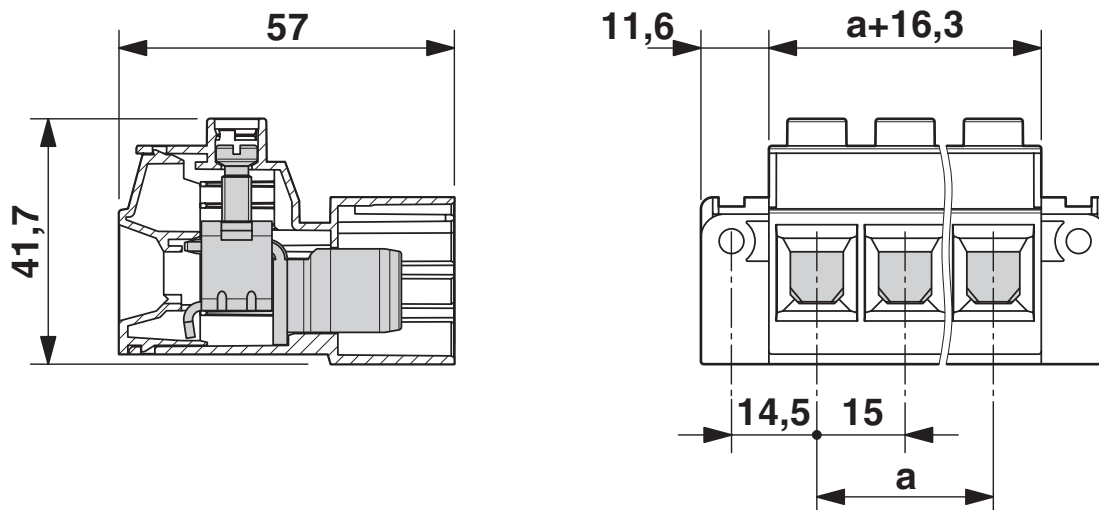
Derating curve, representation based on DIN EN 60512-5-2:2003-01

Connected conductor cross section = 35 mm²

Reduction factor = 0.8

Number of positions: see diagram

Dimensional drawing




IPC 35 HC/ 5-STGF-15,00 - PCB connector




1784884


<https://www.phoenixcontact.com/de/produkte/1784884>

Approvals

 UL Recognized Approval ID: E60425-20101007				
	Nominal Voltage U_N	Nominal Current I_N	Cross Section AWG	Cross Section mm^2
Use group B	600 V	115 A	16 - 2	-
Use group C	600 V	115 A	16 - 2	-

 IECEE CB Scheme Approval ID: DE1-63848				
	Nominal Voltage U_N	Nominal Current I_N	Cross Section AWG	Cross Section mm^2
	1000 V	125 A	-	-

 EAC Approval ID: B.01687				
--	--	--	--	--

 VDE Gutachten mit Fertigungsüberwachung Approval ID: 40039053				
	Nominal Voltage U_N	Nominal Current I_N	Cross Section AWG	Cross Section mm^2
	1000 V	125 A	-	0.5 - 35

IPC 35 HC/ 5-STGF-15,00 - PCB connector



1784884

<https://www.phoenixcontact.com/de/produkte/1784884>

Classifications

ECLASS

ECLASS-9.0	27440309
ECLASS-10.0.1	27440309
ECLASS-11.0	27460202

ETIM

ETIM 8.0	EC002638
----------	----------

UNSPSC

UNSPSC 21.0	39121400
-------------	----------

IPC 35 HC/ 5-STGF-15,00 - PCB connector



1784884

<https://www.phoenixcontact.com/de/produkte/1784884>

Environmental Product Compliance

China RoHS	Environmentally friendly use period: unlimited = EFUP-e
	No hazardous substances above threshold values

IPC 35 HC/ 5-STGF-15,00 - PCB connector

1784884

<https://www.phoenixcontact.com/de/produkte/1784884>



Accessories

CP-HC - Coding profile

1686478

<https://www.phoenixcontact.com/de/produkte/1686478>



Coding profile, 4 coding profiles per strip, for insertion in coding keyways

SF-TX 20X80 VDE - Screwdriver

1200158

<https://www.phoenixcontact.com/de/produkte/1200158>



Screwdriver, Torx[®], VDE-insulated, TX 20 x 80, two-component handle

IPC 35 HC/ 5-STGF-15,00 - PCB connector



1784884

<https://www.phoenixcontact.com/de/produkte/1784884>

SF-BIT-TX 20-50 - Screw insert

1212578

<https://www.phoenixcontact.com/de/produkte/1212578>



Screw bit, Torx[®], E6.3-1/4" drive, size: TX 20 x 50 mm, hardened, suitable for holder according to DIN 3126-F6.3/ISO 1173

SF-M SET - Tool set

1212543

<https://www.phoenixcontact.com/de/produkte/1212543>



Bit screwdriver set with quick-action chuck, 89 mm long slotted/crosshead (PZ and PH)/hex/Torx[®] bits, 17-part, in folding belt pouch, contents: PH 1,2,3 x 89; PZ 1,2,3 x 89; SL 1.5 x 5.5 x 89; TX 10-30 x 89; SW 3,4,5,6 x 89

IPC 35 HC/ 5-STGF-15,00 - PCB connector

1784884

<https://www.phoenixcontact.com/de/produkte/1784884>



SF-LTX SET - Tool set

1200162

<https://www.phoenixcontact.com/de/produkte/1200162>



Offset screwdriver set, Torx, metric, TX 8, 9, 10, 15, 20, 25; 27, 30, 40 mm, 9-piece, BlackLaser surface, in practical holder

SK 10,0 WH:REEL - Marker strip

0812188

<https://www.phoenixcontact.com/de/produkte/0812188>



Marker strip, Roll, white, unlabeled, can be labeled with: THERMOMARK E.300 (D)/600 (D), THERMOMARK ROLL 2.0, THERMOMARK ROLL, THERMOMARK ROLL X1, THERMOMARK ROLLMASTER 300/600, THERMOMARK X1.2, mounting type: adhesive, for terminal block width: 90000 mm, lettering field size: continuous x 10 mm, Number of individual labels: 54000

IPC 35 HC/ 5-STGF-15,00 - PCB connector



1784884

<https://www.phoenixcontact.com/de/produkte/1784884>

PC 35 HC/ 5-STF-15,00 - PCB connector

1762628

<https://www.phoenixcontact.com/de/produkte/1762628>



PCB connector, nominal cross section: 35 mm², color: green, nominal current: 125 A, rated voltage (III/2): 1000 V, contact surface: Silver, type of contact: Female connector, number of potentials: 5, number of rows: 1, number of positions: 5, number of connections: 5, product range: PC 35 HC/...STF, pitch: 15 mm, connection method: Screw connection with tension sleeve, screw head form: L Slotted, conductor/PCB connection direction: 0 °, locking clip: - without locking clip, plug-in system: COMBICON PC 35, locking: Screw locking, mounting: Screw flange, type of packaging: packed in cardboard

DR 35-PC 35 - DIN rail adapter

1708409

<https://www.phoenixcontact.com/de/produkte/1708409>



DIN rail adapter, for snapping the PC 35/IPC 35 connector onto a DIN rail, color: green, mounting type: NS 35/7,5, NS 35/15

Phoenix Contact 2023 © - all rights reserved
<https://www.phoenixcontact.com>

PHOENIX CONTACT Deutschland GmbH
Flachsmarktstraße 8
D-32825 Blomberg
+49 52 35/3-1 20 00
info@phoenixcontact.de