

## Housing - HC-D 7-KML-61/M1PG11 - 1773297

Please be informed that the data shown in this PDF Document is generated from our Online Catalog. Please find the complete data in the user's documentation. Our General Terms of Use for Downloads are valid (<http://phoenixcontact.com/download>)



Coupling housing, with single locking latch, height: 60.5 mm, with screw connection, 1 x Pg11, zinc die-cast



### Key Commercial Data

Packing unit	1 pc
GTIN	
GTIN	4017918122287
Weight per Piece (excluding packing)	97.380 g
Custom tariff number	85389099
Country of origin	Germany

### Technical data

#### Dimensions

Height	61 mm
Width	34 mm
Length	26.5 mm
Wrench size, union nut	18 mm
External cable diameter	7.5 mm ... 12.5 mm

#### Ambient conditions

Degree of protection of housing (IP)	IP54
	IP65 (with sealing screw)
Ambient temperature (operation)	-40 °C ... 125 °C

#### General

## Housing - HC-D 7-KML-61/M1PG11 - 1773297

### Technical data

#### General

Note	for contact inserts HC-A03, A04, D07, D08, Q02, Q03, Q04, Q05, Q07, Q12
Size	D7
Housing type	Coupling housings
Locking type	with single locking latch
No. of cable outlets	1
Cable outlet	straight
Screw connection	with
Type of the screw connection	1x Pg11
Housing material	Zinc die-cast
Housing surface material	Powder-coated, gray
Cable gland material	Nickel-plated brass
Cable seal material	NBR
Material lock	Steel, galvanized

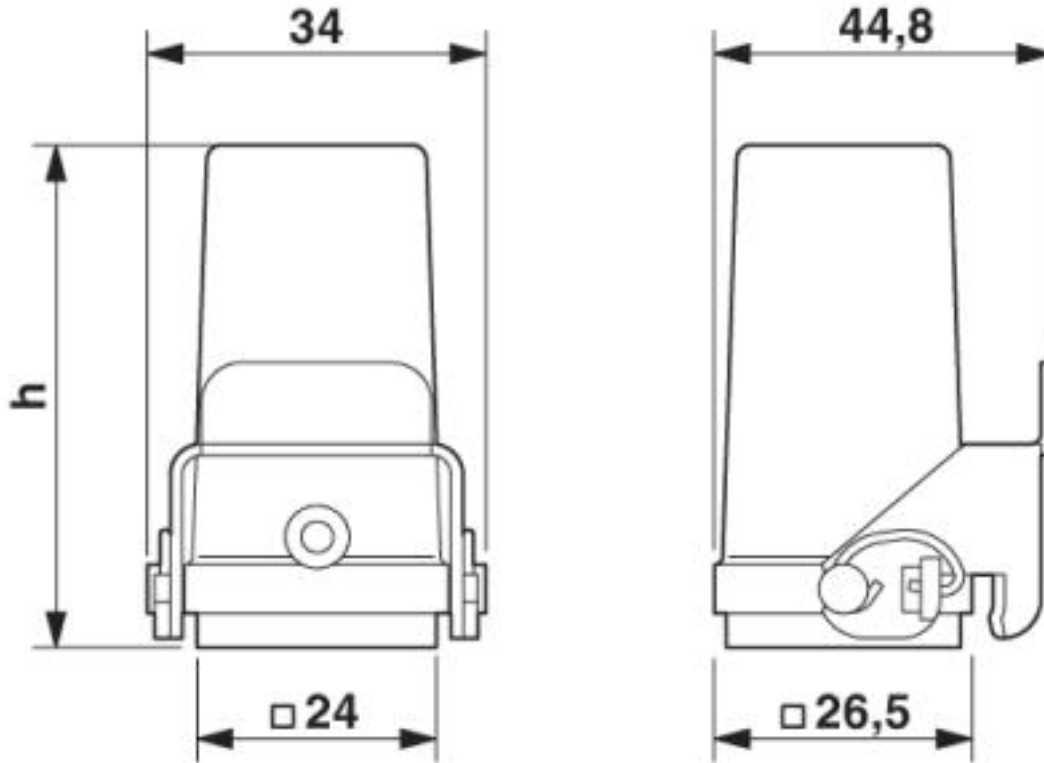
#### Environmental Product Compliance

China RoHS	Environmentally friendly use period: unlimited = EFUP-e
	No hazardous substances above threshold values

### Drawings

# Housing - HC-D 7-KML-61/M1PG11 - 1773297

Dimensional drawing



Dimensional drawing

## Classifications

eCl@ss

eCl@ss 10.0.1	27440202
eCl@ss 4.0	27140816
eCl@ss 4.1	27140816
eCl@ss 5.0	27143424
eCl@ss 5.1	27261200
eCl@ss 6.0	27261200
eCl@ss 7.0	27440202
eCl@ss 8.0	27440202
eCl@ss 9.0	27440202

ETIM

ETIM 2.0	EC000437
ETIM 3.0	EC000437

## Housing - HC-D 7-KML-61/M1PG11 - 1773297

### Classifications

#### ETIM

ETIM 4.0	EC000437
ETIM 5.0	EC000437
ETIM 6.0	EC000437

#### UNSPSC

UNSPSC 6.01	31261502
UNSPSC 7.0901	31261502
UNSPSC 11	31261502
UNSPSC 12.01	31261502
UNSPSC 13.2	31261501

### Accessories

#### Accessories

#### Mounting material

Sealing screw - HC-D 7-DS-IP65 - 1686229



Sealing screw, size: Countersunk head, IP67, replacement part for D7 size HEAVYCON housing