

Pin strip - PST 1,3/ 3-5,0 R24 - 1713169

Please be informed that the data shown in this PDF Document is generated from our Online Catalog. Please find the complete data in the user's documentation. Our General Terms of Use for Downloads are valid (<http://phoenixcontact.com/download>)



Pin strip, nominal current: 12 A, rated voltage (III/2): 320 V, nominal cross section: 1.5 mm², number of positions: 3, pitch: 5 mm, color: black, contact surface: Tin, mounting: THR soldering, pin layout: Linear pinning, solder pin [P]: 3.5 mm, The maximum current depends on the plug used. The lower of the two current values apply for plug and pin strip. The pin strip is made of highly temperature resistant plastic and is thus suitable for the reflow process.


Your advantages

- ✓ Suitable for wave and reflow soldering processes
- ✓ Optimum pin geometry for all COMBICON pin strip connectors

RoHS



Key Commercial Data

Packing unit	1 pc
Minimum order quantity	330 pc
GTIN	 4 046356 088992
GTIN	4046356088992
Weight per Piece (excluding packing)	1.880 g
Custom tariff number	85366930
Country of origin	Germany

Technical data

Dimensions

Length [l]	2.8 mm
Width	14.6 mm
Pitch	5 mm
Dimension a	10 mm
Width [w]	14.6 mm
Height [h]	13 mm
Installed height	9.5 mm

Pin strip - PST 1,3/ 3-5,0 R24 - 1713169

Technical data

Dimensions

Length of the solder pin	3.5 mm
Pin dimensions	ø 1.3 mm
Length	2.8 mm

General

Range of articles	PST 1,3/...-V
Insulating material group	IIIa
Rated surge voltage (III/3)	4 kV
Rated surge voltage (III/2)	4 kV
Rated surge voltage (II/2)	4 kV
Rated voltage (III/3)	250 V
Rated voltage (III/2)	320 V
Rated voltage (II/2)	400 V
Connection in acc. with standard	EN-VDE
Nominal current I _N	12 A (depends on the plug used)
Maximum load current	10 A (depends on the plug used)
Insulating material	PA
Flammability rating according to UL 94	V0
Color	black
Number of positions	3

Standards and Regulations

Connection in acc. with standard	EN-VDE
	CSA
Flammability rating according to UL 94	V0

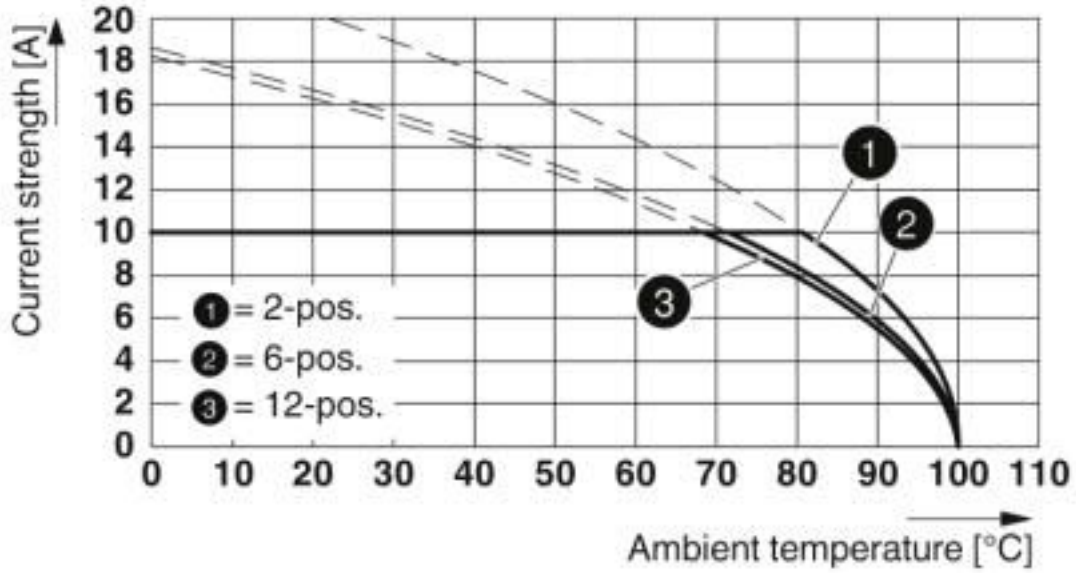
Environmental Product Compliance

China RoHS	Environmentally friendly use period: unlimited = EFUP-e
	No hazardous substances above threshold values

Drawings

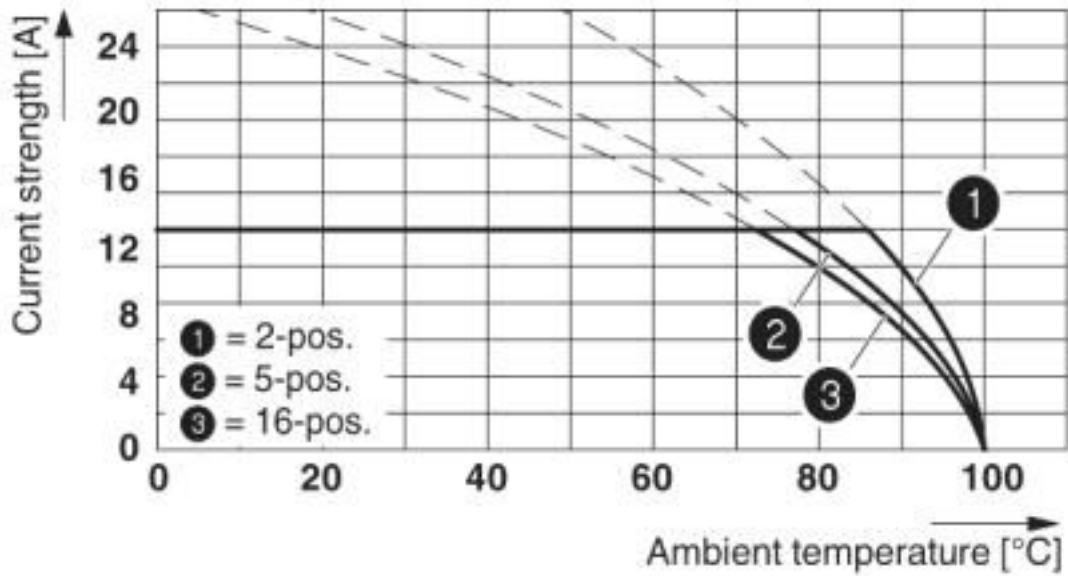
Pin strip - PST 1,3/ 3-5,0 R24 - 1713169

Diagram



Type: PTS 1,5/...-PH-5,0 CLIP with PST 1,3/...-5,0

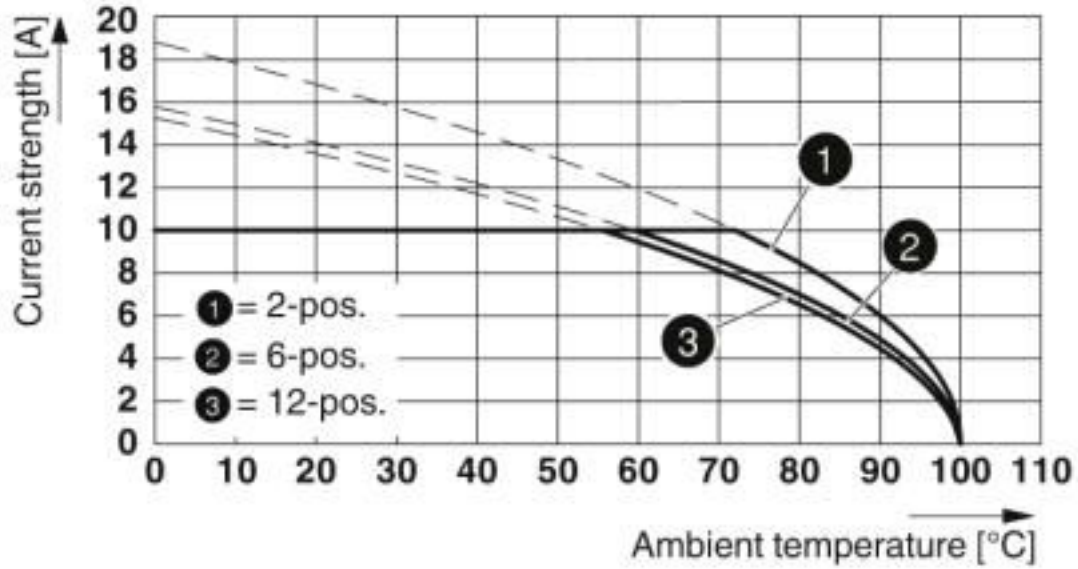
Diagram



Derating diagram for conductor cross section 2.5 mm²; reduction factor = 0.8

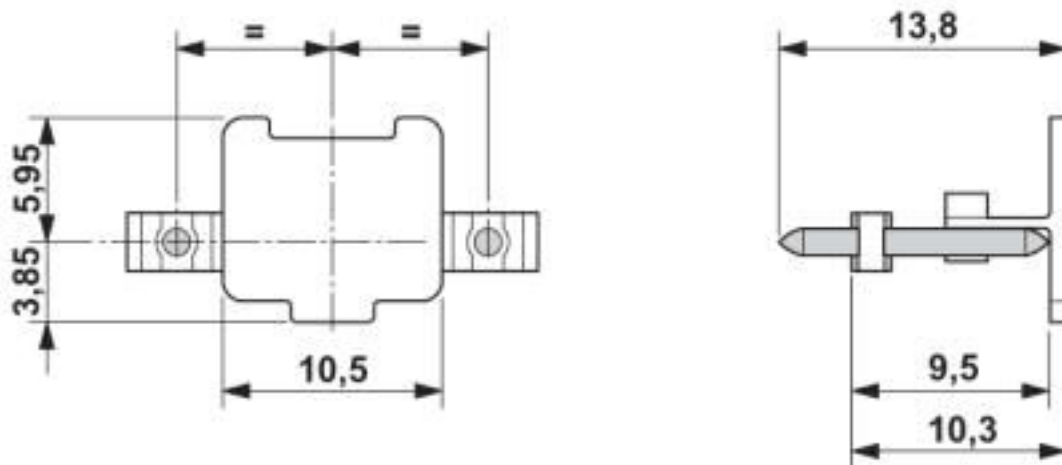
Pin strip - PST 1,3/ 3-5,0 R24 - 1713169

Diagram



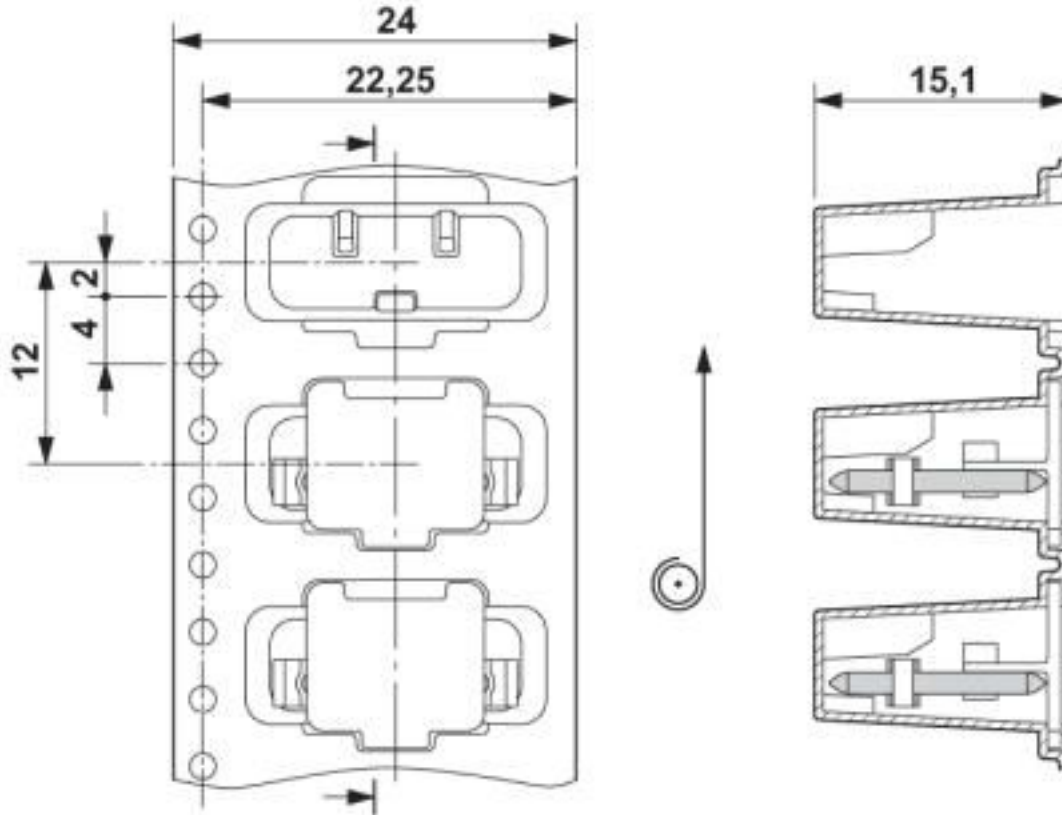
Type: PTS 1,5/...-PH-5,0 with PST 1,3/...-5,0

Dimensional drawing



Pin strip - PST 1,3/ 3-5,0 R24 - 1713169

Dimensional drawing



Classifications

eCl@ss

eCl@ss 10.0.1	27440402
eCl@ss 4.0	27260700
eCl@ss 4.1	27260700
eCl@ss 5.0	27260700
eCl@ss 5.1	27260700
eCl@ss 6.0	27260700
eCl@ss 7.0	27440402
eCl@ss 8.0	27440402
eCl@ss 9.0	27440402

ETIM

ETIM 3.0	EC001121
ETIM 4.0	EC002637

Pin strip - PST 1,3/ 3-5,0 R24 - 1713169

Classifications

ETIM

ETIM 5.0	EC002637
ETIM 6.0	EC002637
ETIM 7.0	EC002637

UNSPSC

UNSPSC 6.01	30211801
UNSPSC 7.0901	39121432
UNSPSC 11	34131203
UNSPSC 12.01	39121432
UNSPSC 13.2	39121409
UNSPSC 18.0	39121409
UNSPSC 19.0	39121409
UNSPSC 20.0	39121409
UNSPSC 21.0	39121409

Approvals


Approvals


Approvals

SEV / EAC / cULus Recognized / IECCEB Scheme

Ex Approvals


Approval details


SEV		https://www.eurofins.ch/de/	IK-4496
Nominal voltage UN	250 V		
Nominal current IN	12 A		

EAC		B.01687
-----	---	---------

Pin strip - PST 1,3/ 3-5,0 R24 - 1713169

Approvals

cULus Recognized		http://database.ul.com/cgi-bin/XYV/template/LISEXT/1FRAME/index.htm	E60425-20030211
	B	D	
Nominal voltage UN	300 V	300 V	
Nominal current IN	16 A	10 A	

IECEE CB Scheme		http://www.iecee.org/	CH-10786
Nominal voltage UN		250 V	
Nominal current IN		12 A	