

Printed-circuit board connector - SPC 16/ 3-STF-10,16 - 1711381

Please be informed that the data shown in this PDF Document is generated from our Online Catalog. Please find the complete data in the user's documentation. Our General Terms of Use for Downloads are valid (<http://phoenixcontact.com/download>)

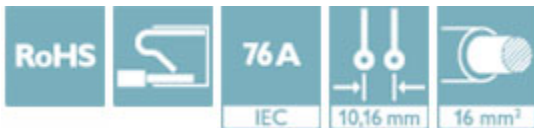
PCB connector, nominal current: 76 A, number of positions: 3, pitch: 10.16 mm, connection method: Push-in spring connection, color: green, contact surface: Silver




The figure shows a 5-pos. version of the product

Your advantages

- ✓ Time saving push-in connection, tools not required
- ✓ Defined contact force ensures that contact remains stable over the long term
- ✓ Clamping space opened by means of fixed screwdriver enables convenient conductor connection
- ✓ Integrated double steel spring provides additional safety in the event of temperature and power fluctuations
- ✓ Optimized for tight installation situations: operation and conductor connection from one direction
- ✓ Screwable flange for superior mechanical stability



Key Commercial Data

Packing unit	1 pc
GTIN	 4 046356 081139
GTIN	4046356081139
Weight per Piece (excluding packing)	28.190 g
Custom tariff number	85366990
Country of origin	India

Technical data

Dimensions

Length [l]	44.5 mm
Width [w]	48.24 mm
Height [h]	25.1 mm

Printed-circuit board connector - SPC 16/ 3-STF-10,16 - 1711381

Technical data

Dimensions

Pitch	10.16 mm
Dimension a	20.32 mm

General

Range of articles	SPC 16/..-STF
Number of positions	3
Connection method	Push-in spring connection
Insulating material group	I
Rated surge voltage (III/3)	8 kV
Rated surge voltage (III/2)	8 kV
Rated surge voltage (II/2)	6 kV
Rated voltage (III/3)	1000 V
Rated voltage (III/2)	1000 V
Rated voltage (II/2)	1000 V
Connection in acc. with standard	EN-VDE
Nominal current I_N	76 A
Nominal cross section	16 mm ²
Maximum load current	76 A
Insulating material	PA
Flammability rating according to UL 94	V0
Stripping length	18 mm

Connection data

Conductor cross section solid min.	0.75 mm ²
Conductor cross section solid max.	16 mm ²
Conductor cross section flexible min.	0.75 mm ²
Conductor cross section flexible max.	16 mm ²
Conductor cross section flexible, with ferrule without plastic sleeve min.	0.75 mm ²
Conductor cross section flexible, with ferrule without plastic sleeve max.	16 mm ²
Conductor cross section flexible, with ferrule with plastic sleeve min.	0.75 mm ²
Conductor cross section flexible, with ferrule with plastic sleeve max.	10 mm ²
Conductor cross section AWG min.	18
Conductor cross section AWG max.	4
2 conductors with same cross section, stranded, TWIN ferrules with plastic sleeve, min.	0.75 mm ²
2 conductors with same cross section, stranded, TWIN ferrules with plastic sleeve, max.	4 mm ²
Minimum AWG according to UL/CUL	20
Maximum AWG according to UL/CUL	4

Printed-circuit board connector - SPC 16/ 3-STF-10,16 - 1711381

Technical data

Standards and Regulations

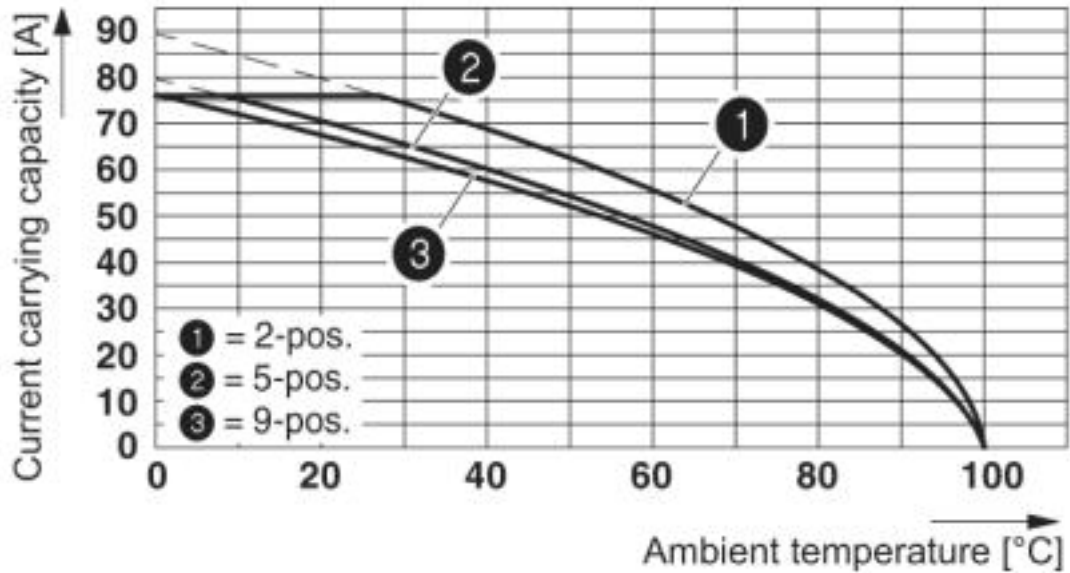
Connection in acc. with standard	EN-VDE
	CUL
Flammability rating according to UL 94	V0

Environmental Product Compliance

China RoHS	Environmentally friendly use period: unlimited = EFUP-e
	No hazardous substances above threshold values

Drawings

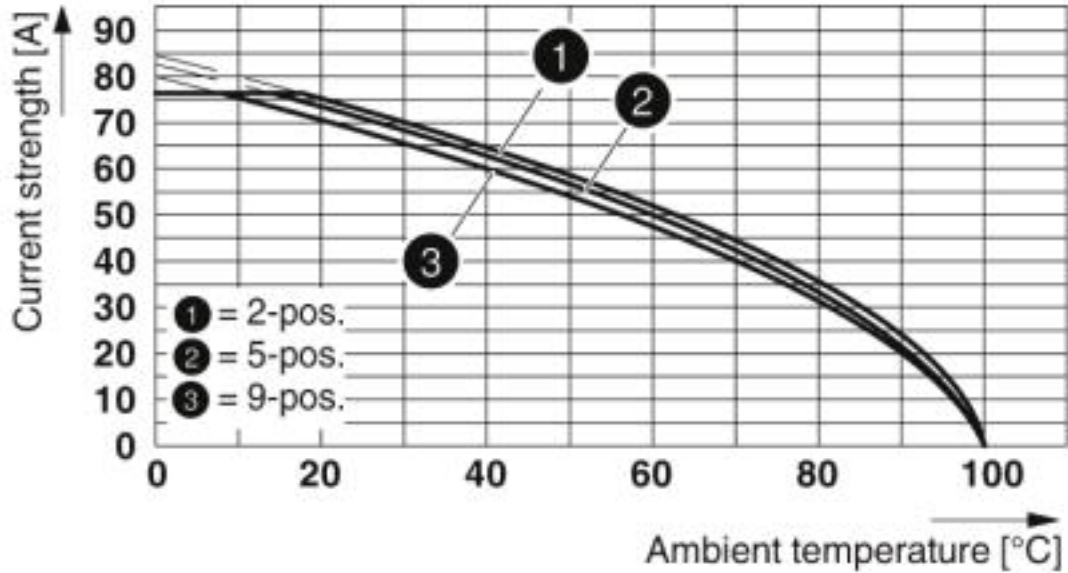
Diagram



Type: SPC 16/...-ST-10,16 with PC 6-16/...-G1-10,16

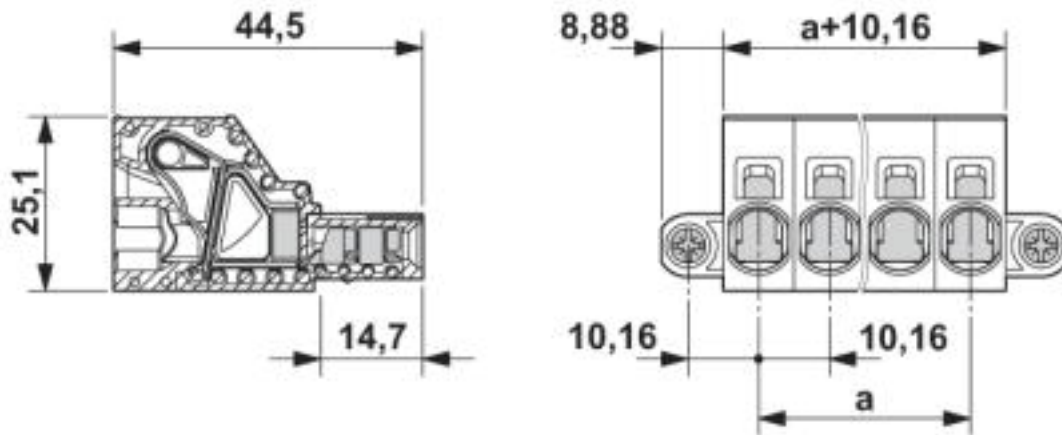
Printed-circuit board connector - SPC 16/ 3-STF-10,16 - 1711381

Diagram



Type: SPC 16/...-ST(F)-10,16 with DFK-PC 16/...-ST(F)-10,16

Dimensional drawing



Classifications

eCl@ss

eCl@ss 4.0	27260700
eCl@ss 4.1	27260700
eCl@ss 5.0	27260700
eCl@ss 5.1	27260700

Printed-circuit board connector - SPC 16/ 3-STF-10,16 - 1711381

Classifications

eCl@ss

eCl@ss 6.0	27260700
eCl@ss 7.0	27440309
eCl@ss 8.0	27440309
eCl@ss 9.0	27440309

ETIM

ETIM 3.0	EC001121
ETIM 4.0	EC002638
ETIM 5.0	EC002638
ETIM 6.0	EC002638
ETIM 7.0	EC002638

UNSPSC

UNSPSC 6.01	30211810
UNSPSC 7.0901	39121409
UNSPSC 11	39121409
UNSPSC 12.01	39121409
UNSPSC 13.2	39121409

Approvals


Approvals

Approvals

IECEE CB Scheme / SEV / EAC / cULus Recognized

Ex Approvals

Approval details

IECEE CB Scheme		http://www.iecee.org/	CH-8077
Nominal voltage UN	1000 V		
Nominal current IN	76 A		

Printed-circuit board connector - SPC 16/ 3-STF-10,16 - 1711381

Approvals

SEV		https://www.electrosuisse.ch/de/meta/shop/produktezertifikate.html	IK-3431
Nominal voltage UN		1000 V	
Nominal current IN		76 A	
mm ² /AWG/kcmil		16	

EAC		B.01742
-----	--	---------

cULus Recognized		http://database.ul.com/cgi-bin/XYV/template/LISEXT/1FRAME/index.htm	E60425-20040202
	B	C	
Nominal voltage UN	600 V	600 V	
Nominal current IN	66 A	66 A	
mm ² /AWG/kcmil	20-4	20-4	

Accessories

Accessories

Coding element

Coding profile - CP-PC RD - 1701967



Coding profile, for plugging into the coding ribs of the plug at a later date, insulating material, color: Red

Crimping tool

Crimping pliers - CRIMPFOX 6 - 1212034



Crimping pliers, for ferrules without insulating collar according to DIN 46228 Part 1 and ferrules with insulating collar according to DIN 46228 Part 4, 0.25 mm² ... 6.0 mm², lateral entry, trapezoidal crimp

Printed-circuit board connector - SPC 16/ 3-STF-10,16 - 1711381

Accessories

Crimping pliers - CRIMPFOX 16 S - 1207983



Crimping pliers for ferrules up to 16 mm²

Jumper

Plug-in bridge - FBS 2-10 - 3005947



Plug-in bridge, pitch: 10.2 mm, number of positions: 2, color: red

Screwdriver tools

Screwdriver - SZF 2-0,8X4,0 - 1204520



Actuation tool, for ST terminal blocks, also suitable for use as a bladed screwdriver, size: 0.8 x 4.0 x 100 mm, 2-component grip, with non-slip grip

Terminal marking

Marker strip - SK 5,0 WH:REEL - 0805221



Marker strip, Roll, white, unlabeled, can be labeled with: THERMOMARK ROLL 2.0, THERMOMARK ROLL, THERMOMARK ROLL X1, THERMOMARK ROLLMASTER 300/600, THERMOMARK X1.2, mounting type: adhesive, for terminal block width: 5 mm, lettering field size: continuous x 5 mm, Number of individual labels: 90000

Additional products

Printed-circuit board connector - SPC 16/ 3-STF-10,16 - 1711381

Accessories

Feed-through header - PCV 6-16/ 3-G1F-10,16 - 1998878



PCB headers, nominal current: 76 A, number of positions: 3, pitch: 10.16 mm, color: green, contact surface: Silver, mounting: Wave soldering

Feed-through header - PC 6-16/ 3-G1F-10,16 - 1999013



PCB headers, nominal current: 76 A, number of positions: 3, pitch: 10.16 mm, color: green, contact surface: Silver, mounting: Wave soldering

Feed-through header - PC 6-16/ 3-G1FU-10,16 - 1996320



PCB headers, nominal current: 76 A, number of positions: 3, pitch: 10.16 mm, color: green, contact surface: Silver, mounting: Wave soldering

Printed-circuit board connector - ISPC 16/ 3-STGF-10,16 - 1748710



PCB connector, nominal current: 76 A, number of positions: 3, pitch: 10.16 mm, connection method: Push-in spring connection, color: green, contact surface: Silver

Printed-circuit board connector - IPC 16/ 3-STGF-10,16 - 1975820



PCB connector, nominal current: 76 A, number of positions: 3, pitch: 10.16 mm, connection method: Screw connection with tension sleeve, color: green, contact surface: Silver

Printed-circuit board connector - SPC 16/ 3-STF-10,16 - 1711381

Accessories

Feed-through header - DFK-PC 6-16/ 3-GF-10,16 - 1701540



Feed-through header, nominal current: 76 A, number of positions: 3, pitch: 10.16 mm, color: green, contact surface: Silver, mounting: Wave soldering

Feed-through header - DFK-PC 6-16/ 3-GFU-10,16 - 1701702



Feed-through header, nominal current: 76 A, number of positions: 3, pitch: 10.16 mm, color: green, contact surface: Silver, mounting: Wave soldering

Feed-through header - DFK-PC 6-16/ 3-GF-SH-10,16 - 1701948



Feed-through header, nominal current: 76 A, number of positions: 3, pitch: 10.16 mm, color: green, contact surface: Silver, mounting: Wave soldering

Feed-through header - DFK-PC 6-16/ 3-GFU-SH-10,16 - 1702028



Feed-through header, nominal current: 76 A, number of positions: 3, pitch: 10.16 mm, color: green, contact surface: Silver, mounting: Wave soldering

Feed-through header - DFK-PCV 6-16/ 3-GF-10,16 - 1702264



Feed-through header, nominal current: 76 A, number of positions: 3, pitch: 10.16 mm, color: green, contact surface: Silver, mounting: Wave soldering

Printed-circuit board connector - SPC 16/ 3-STF-10,16 - 1711381

Accessories

Feed-through plug - DFK-PC 16/ 3-STF-10,16 - 1703467



Feed-through connector, nominal current: 76 A, number of positions: 3, pitch: 10.16 mm, connection method: Screw connection with tension sleeve, color: green, contact surface: Silver

Feed-through plug - DFK-PC 16/ 3-STF-SH-10,16 - 1703629



Feed-through connector, nominal current: 76 A, number of positions: 3, pitch: 10.16 mm, connection method: Screw connection with tension sleeve, color: green, contact surface: Silver
