

PCB terminal block - PTS 1,5/ 3-5,0-H AP TRB BK - 1709567

Please be informed that the data shown in this PDF Document is generated from our Online Catalog. Please find the complete data in the user's documentation. Our General Terms of Use for Downloads are valid (<http://phoenixcontact.com/download>)



PCB terminal block, pitch: 5 mm, number of positions: 3, color: black



Key Commercial Data

Packing unit	1 pc
Minimum order quantity	250 pc
GTIN	 4 055626 184593
GTIN	4055626184593
Weight per Piece (excluding packing)	2.800 g
Custom tariff number	85369010
Country of origin	Slovakia

Technical data

Dimensions

Length [l]	10.5 mm
Pitch	5 mm
Dimension a	13.25 mm
Width [w]	15 mm
Height	14.3 mm
Height [h]	16.8 mm
Solder pin [P]	2.5 mm
Hole diameter	1.2 mm

General

Range of articles	PTSH 1,5/..-H
-------------------	---------------

PCB terminal block - PTS 1,5/ 3-5,0-H AP TRB BK - 1709567

Technical data

General

Insulating material group	I
Rated surge voltage (III/3)	4 kV
Rated surge voltage (III/2)	4 kV
Rated surge voltage (II/2)	4 kV
Rated voltage (III/3)	250 V
Rated voltage (III/2)	400 V
Rated voltage (II/2)	630 V
Nominal current I _N	16 A
Nominal cross section	2.5 mm ²
Insulating material	PA
Flammability rating according to UL 94	V0
Stripping length	8 mm
Number of positions	3

Connection data

Conductor cross section solid min.	0.14 mm ²
Conductor cross section solid max.	1.5 mm ²
Conductor cross section flexible min.	0.14 mm ²
Conductor cross section flexible max.	1.5 mm ²
Conductor cross section flexible, with ferrule with plastic sleeve min.	0.14 mm ²
Conductor cross section flexible, with ferrule with plastic sleeve max.	1.5 mm ²
Conductor cross section AWG min.	27
Conductor cross section AWG max.	15

Standards and Regulations

Flammability rating according to UL 94	V0
--	----

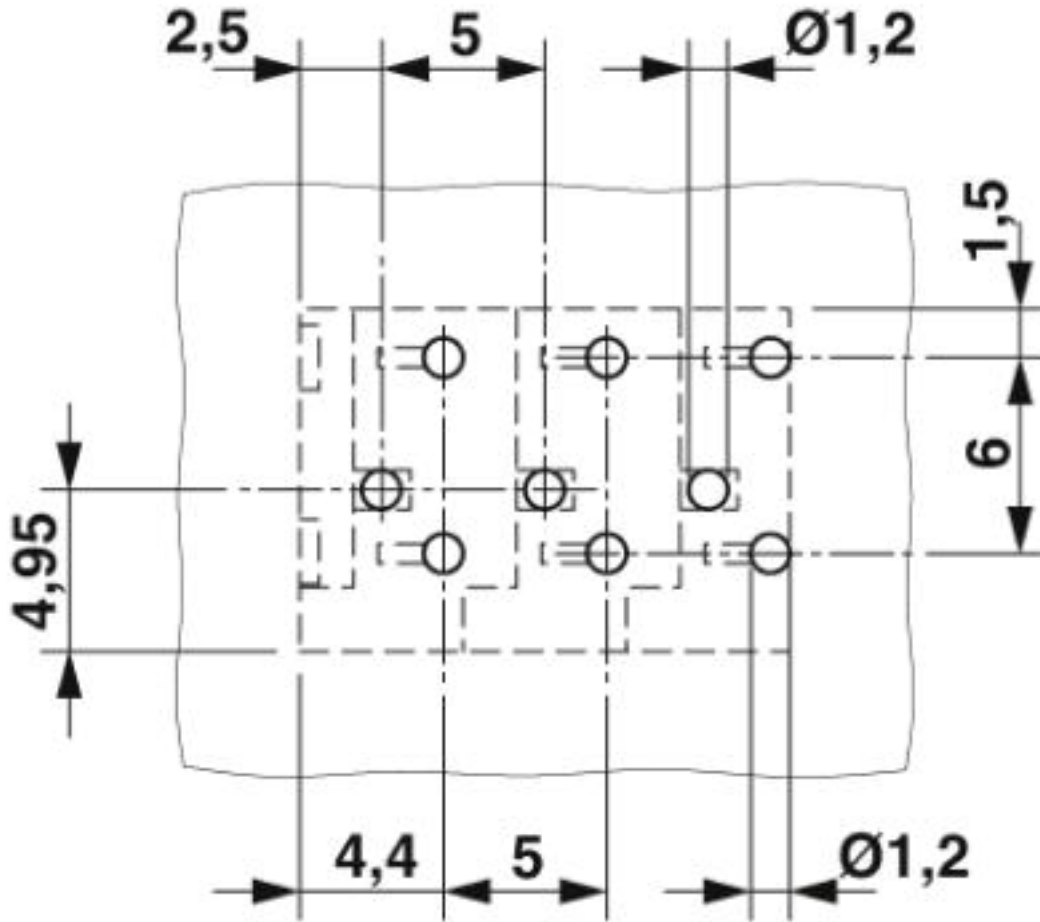
Environmental Product Compliance

China RoHS	Environmentally friendly use period: unlimited = EFUP-e
	No hazardous substances above threshold values

Drawings

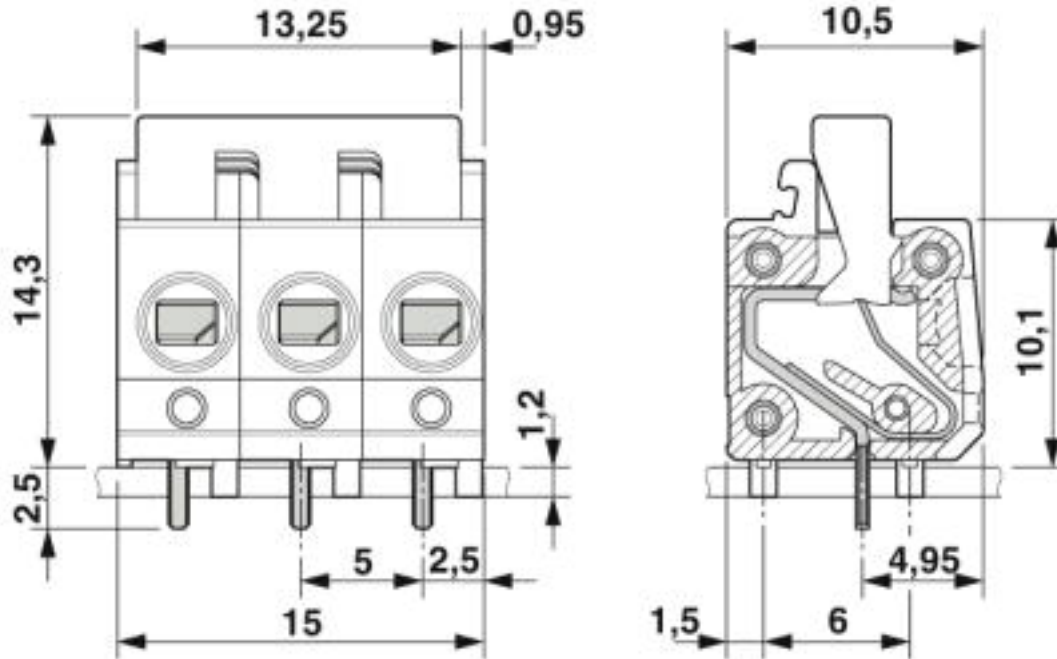
PCB terminal block - PTS 1,5/ 3-5,0-H AP TRB BK - 1709567

Drilling diagram



PCB terminal block - PTS 1,5/ 3-5,0-H AP TRB BK - 1709567

Dimensional drawing



Classifications

eCl@ss

eCl@ss 5.1	27261100
eCl@ss 6.0	27261100
eCl@ss 7.0	27440401
eCl@ss 8.0	27440401
eCl@ss 9.0	27440401

ETIM

ETIM 5.0	EC002643
ETIM 6.0	EC002643
ETIM 7.0	EC002643

UNSPSC

UNSPSC 13.2	39121432
-------------	----------

Approvals

Approvals

PCB terminal block - PTS 1,5/ 3-5,0-H AP TRB BK - 1709567


Approvals

Approvals

EAC

Ex Approvals

Approval details

EAC		B.01742
-----	---	---------

Accessories

Accessories

Screwdriver tools

Screwdriver - SZF 0-0,4X2,5 - 1204504



Actuation tool, for ST terminal blocks, also suitable for use as a bladed screwdriver, size: 0.4 x 2.5 x 75 mm, 2-component grip, with non-slip grip
