

# DFK-PC 16/ 3-STF-SH-10,16 - Feed-through plug



1703629

<https://www.phoenixcontact.com/de/produkte/1703629>

Please be informed that the data shown in this PDF document is generated from our Online Catalog. Please find the complete data in the user documentation. Our General Terms of Use for Downloads are valid.



Feed-through connector, nominal cross section: 16 mm<sup>2</sup>, color: green, nominal current: 76 A, rated voltage (III/2): 1000 V, contact surface: Silver, type of contact: Male connector, number of potentials: 3, number of rows: 1, number of positions: 3, number of connections: 3, product range: DFK-PC 16/..-STF-SH, pitch: 10.16 mm, connection method: Screw connection with tension sleeve, screw head form: L Slotted, conductor/PCB connection direction: 0 °, solder pin [P]: 4.1 mm, plug-in system: COMBICON PC 16, Pin connector pattern alignment: Standard, locking: Screw locking, mounting: Screw flange, type of packaging: packed in cardboard

## Your advantages

- Well-known connection principle allows worldwide use
- Low temperature rise, thanks to maximum contact force
- Allows connection of two conductors
- Flange system enables secure fixing to the housing panel by means of tool-free snap-in locking or screws
- Shroud for professional EMC shield feed-through on the inside of the device
- Screwable flange for superior mechanical stability

## Commercial Data

Item number	1703629
Packing unit	10 pc
Minimum order quantity	10 pc
Note	Made to Order (non-returnable)
Sales Key	E1 - Leiterplattenanschl.
Product Key	AAEWDC
Catalog Page	Page 583 (C-1-2013)
GTIN	4017918994464
Weight per Piece (including packing)	46,2 g
Weight per Piece (excluding packing)	37,605 g
Customs tariff number	85366990
Country of origin	PL

## Technical Data

### Product properties

Type	Feed-through header
Product line	COMBICON Connectors XL
Product type	Feed-through connector
Product family	DFK-PC 16/...-STF-SH
Number of positions	3
Pitch	10.16 mm
Number of connections	3
Number of rows	1
Mounting flange	Screw flange
Number of potentials	3

### Electrical properties

Nominal current $I_N$	76 A
Nominal voltage $U_N$	1000 V
Degree of pollution	3
Rated voltage (III/3)	1000 V
Rated surge voltage (III/3)	8 kV
Rated voltage (III/2)	1000 V
Rated surge voltage (III/2)	8 kV
	1000 V
Rated surge voltage (II/2)	6 kV

### Connection data

#### Connection technology

Type	Feed-through header
Connector system	COMBICON PC 16
Nominal cross section	16 mm <sup>2</sup>
Type of contact	Male connector

#### Interlock

Locking type	Screw locking
Mounting flange	Screw flange

#### Conductor connection

Connection method	Screw connection with tension sleeve
Connection direction of the conductor to plug-in direction	0 °
Conductor cross section solid	0.75 mm <sup>2</sup> ... 16 mm <sup>2</sup>
Conductor cross section flexible	0.75 mm <sup>2</sup> ... 16 mm <sup>2</sup>
Conductor cross section AWG	18 ... 6
Conductor cross section flexible, with ferrule without plastic sleeve	0.5 mm <sup>2</sup> ... 16 mm <sup>2</sup> (Only in connection with CRIMPFOX 16 S)

# DFK-PC 16/ 3-STF-SH-10,16 - Feed-through plug



1703629

<https://www.phoenixcontact.com/de/produkte/1703629>

Conductor cross section, flexible, with ferrule, with plastic sleeve	0.5 mm <sup>2</sup> ... 16 mm <sup>2</sup> (Only in connection with CRIMPFOX 16 S)
2 conductors with same cross section, solid	0.75 mm <sup>2</sup> ... 6 mm <sup>2</sup>
2 conductors with same cross section, flexible	0.75 mm <sup>2</sup> ... 6 mm <sup>2</sup>
2 conductors with same cross section, flexible, with ferrule without plastic sleeve	0.5 mm <sup>2</sup> ... 4 mm <sup>2</sup>
2 conductors with the same cross section, flexible, with TWIN ferrule with plastic sleeve	0.5 mm <sup>2</sup> ... 6 mm <sup>2</sup>
Cylindrical gauge a x b / diameter	4.3 mm x 4.0 mm / 5.4 mm
Stripping length	12 mm
Tightening torque	1.7 Nm ... 1.8 Nm

## Mounting

Drive form screw head	Slotted (L)
Drive form screw head	Slotted (L)

## Material specifications

### Material data - contact

Note	WEEE/RoHS-compliant, free of whiskers according to IEC 60068-2-82/JEDEC JESD 201
Contact material	Cu alloy
Surface characteristics	Electroplated silver
Metal surface terminal point (top layer)	Silver (4 - 8 µm Ag)
Metal surface contact area (top layer)	Silver (4 - 8 µm Ag)

### Material data - housing

Color (Housing)	green (6021)
Insulating material	PA
Insulating material group	I
CTI according to IEC 60112	600
Flammability rating according to UL 94	V0
Glow wire flammability index GWFI according to EN 60695-2-12	850
Glow wire ignition temperature GWIT according to EN 60695-2-13	775
Temperature for the ball pressure test according to EN 60695-10-2	125 °C

### Material data – actuating element

Color ()	()
----------	----

## Notes

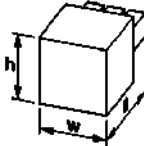
Notes on operation	In accordance with IEC 61984, COMBICON connectors have no switching power (COC). During designated use, they must not be plugged in or disconnected when carrying voltage or under load.
--------------------	--

## Dimensions

# DFK-PC 16/ 3-STF-SH-10,16 - Feed-through plug

1703629

<https://www.phoenixcontact.com/de/produkte/1703629>

Dimensional drawing	
Pitch	10.16 mm
Width [w]	65.84 mm
Height [h]	30.55 mm
Length [l]	44.1 mm
Installed height	27.8 mm
Solder pin length [P]	4.1 mm

## Electrical tests

### Air clearances and creepage distances |

Specification	IEC 60664-1:2007-04
Insulating material group	I
Comparative tracking index (IEC 60112)	CTI 600
Rated insulation voltage (III/3)	1000 V
Rated surge voltage (III/3)	8 kV
minimum clearance value - non-homogenous field (III/3)	8 mm
minimum creepage distance (III/3)	12.5 mm
Rated insulation voltage (III/2)	1000 V
Rated surge voltage (III/2)	8 kV
minimum clearance value - non-homogenous field (III/2)	8 mm
minimum creepage distance (III/2)	8 mm
Rated insulation voltage (II/2)	1000 V
Rated surge voltage (II/2)	6 kV
minimum clearance value - non-homogenous field (II/2)	5.5 mm
minimum creepage distance (II/2)	5.5 mm

## Environmental and real-life conditions

### Ambient conditions

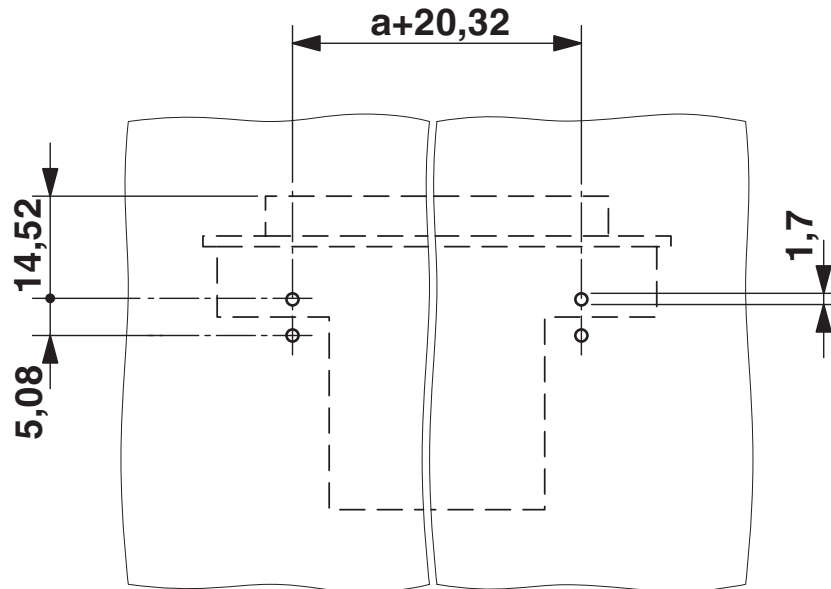
Ambient temperature (operation)	-40 °C ... 100 °C (dependent on the derating curve)
Ambient temperature (storage/transport)	-40 °C ... 70 °C
Relative humidity (storage/transport)	30 % ... 70 %
Ambient temperature (assembly)	-5 °C ... 100 °C

## Packaging specifications

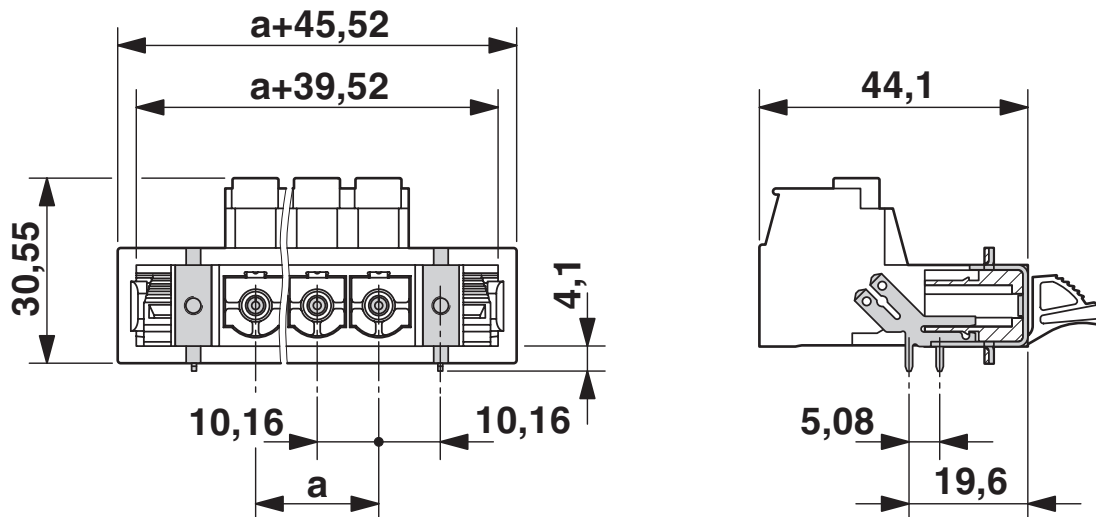
Type of packaging	packed in cardboard
-------------------	---------------------

## Drawings

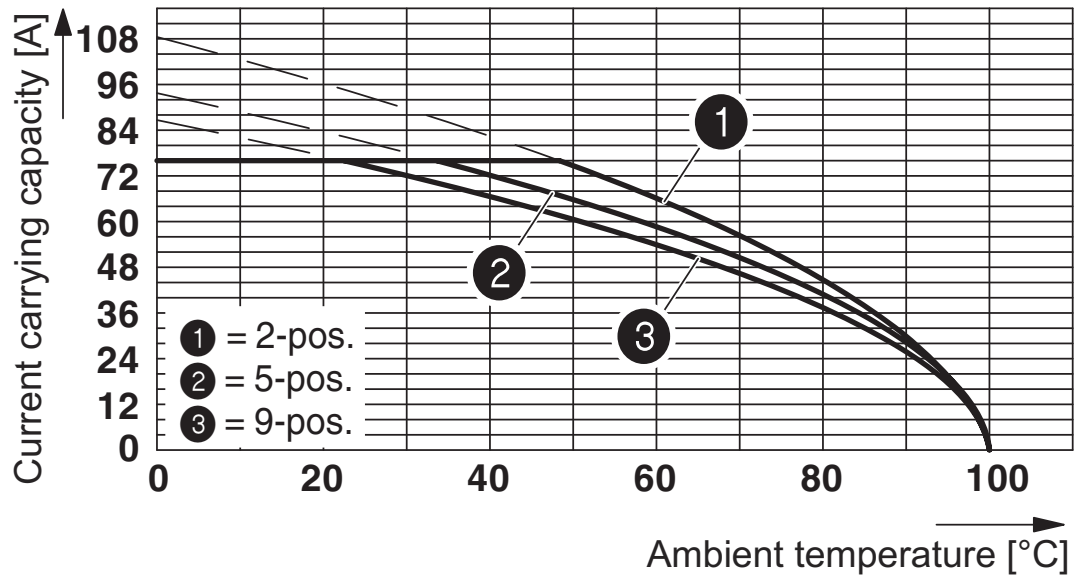
Drilling plan/solder pad geometry



Dimensional drawing



Diagram



Derating curve for: PC 16/...-ST-10.16 with DFK-PC 16/...-ST-10.16

# DFK-PC 16/ 3-STF-SH-10,16 - Feed-through plug



1703629

<https://www.phoenixcontact.com/de/produkte/1703629>

## Approvals



**EAC**

Approval ID: B.01687



**cULus Recognized**

Approval ID: E60425-20040202

	Nominal Voltage $U_N$	Nominal Current $I_N$	Cross Section AWG	Cross Section $\text{mm}^2$
Use group B				
	600 V	55 A	20 - 6	-
Use group C				
	600 V	55 A	20 - 6	-



**IECEE CB Scheme**

Approval ID: DE1-66677

	Nominal Voltage $U_N$	Nominal Current $I_N$	Cross Section AWG	Cross Section $\text{mm}^2$
		76 A	-	0.75 - 16



**VDE Zeichengenehmigung**

Approval ID: 40055586

	Nominal Voltage $U_N$	Nominal Current $I_N$	Cross Section AWG	Cross Section $\text{mm}^2$
		76 A	-	0.75 - 16

# DFK-PC 16/ 3-STF-SH-10,16 - Feed-through plug



1703629

<https://www.phoenixcontact.com/de/produkte/1703629>

## Classifications

### ECLASS

ECLASS-9.0	27440309
ECLASS-10.0.1	27440309
ECLASS-11.0	27460202

### ETIM

ETIM 8.0	EC002638
----------	----------

### UNSPSC

UNSPSC 21.0	39121400
-------------	----------

# DFK-PC 16/ 3-STF-SH-10,16 - Feed-through plug



1703629

<https://www.phoenixcontact.com/de/produkte/1703629>

## Environmental Product Compliance

China RoHS	Environmentally friendly use period: unlimited = EFUP-e
	No hazardous substances above threshold values

# DFK-PC 16/ 3-STF-SH-10,16 - Feed-through plug

1703629

<https://www.phoenixcontact.com/de/produkte/1703629>

## Accessories

### CP-PC RD - Coding profile

1701967

<https://www.phoenixcontact.com/de/produkte/1701967>

Coding profile, for plugging into the coding ribs of the plug at a later date, insulating material, color: Red



---

### DFK-PC MOUNT SET - Accessories

1054021

<https://www.phoenixcontact.com/de/produkte/1054021>

Contains 20 pcs. latch and screw elements for feed-through connectors each



# DFK-PC 16/ 3-STF-SH-10,16 - Feed-through plug

1703629

<https://www.phoenixcontact.com/de/produkte/1703629>



## C-SCF 2,5/6,3X0,8 - Connector

3240159

<https://www.phoenixcontact.com/de/produkte/3240159>



Slip-on sleeve, non-insulated, 1.5 ... 2.5 mm<sup>2</sup>, 6.3 x 0.8

---

## C-SCF 6/6,3X0,8 - Connector

3240160

<https://www.phoenixcontact.com/de/produkte/3240160>



Slip-on sleeve, non-insulated, 4 ... 6 mm<sup>2</sup>, 6.3 x 0.8

# DFK-PC 16/ 3-STF-SH-10,16 - Feed-through plug

1703629

<https://www.phoenixcontact.com/de/produkte/1703629>



## C-SCF 1,5/6,3X0,8 - Connector

3240156

<https://www.phoenixcontact.com/de/produkte/3240156>



Slip-on sleeve, non-insulated, 0.5 ... 1.5 mm<sup>2</sup>, 6.3 x 0.8

---

## C-SCFI 6/6,3X0,8 - Connector

3240056

<https://www.phoenixcontact.com/de/produkte/3240056>



Slip-on sleeve, yellow, 4 ... 6 mm<sup>2</sup>, 6.3 x 0.8

# DFK-PC 16/ 3-STF-SH-10,16 - Feed-through plug

1703629

<https://www.phoenixcontact.com/de/produkte/1703629>

## C-SCFI 1,5/6,3X0,8 - Connector

3240052

<https://www.phoenixcontact.com/de/produkte/3240052>



Slip-on sleeve, red, 0.5 ... 1.5 mm<sup>2</sup>, 6.3 x 0.8

---

## C-SCFFI 2,5/6,3X0,8 - Connector

3240547

<https://www.phoenixcontact.com/de/produkte/3240547>



Slip-on sleeve, fully isolated, blue, 1.5 ... 2.5 mm<sup>2</sup>, for plug 6.3 x 0.8 mm

# DFK-PC 16/ 3-STF-SH-10,16 - Feed-through plug

1703629

<https://www.phoenixcontact.com/de/produkte/1703629>

## C-SCFI 2,5/6,3X0,8 - Connector

3240055

<https://www.phoenixcontact.com/de/produkte/3240055>



Slip-on sleeve, blue, 1.5 ... 2.5 mm<sup>2</sup>, 6.3 x 0.8

---

## C-SCFFI 6/6,3X0,8 - Connector

3240541

<https://www.phoenixcontact.com/de/produkte/3240541>



Slip-on sleeve, fully insulated, yellow, 4 ... 6 mm<sup>2</sup>, for 6.3 x 0.8 mm plugs

# DFK-PC 16/ 3-STF-SH-10,16 - Feed-through plug

1703629

<https://www.phoenixcontact.com/de/produkte/1703629>

## C-SCFFI 1,5/6,3X0,8 - Connector

3240538

<https://www.phoenixcontact.com/de/produkte/3240538>



Slip-on sleeve, fully isolated, red, 0.5 ... 1.5 mm<sup>2</sup>, for plug 6.3 x 0.8 mm

---

## PC 16/ 3-STF-10,16 - PCB connector

1967469

<https://www.phoenixcontact.com/de/produkte/1967469>



PCB connector, nominal cross section: 16 mm<sup>2</sup>, color: green, nominal current: 76 A, rated voltage (III/2): 1000 V, contact surface: Silver, type of contact: Female connector, number of potentials: 3, number of rows: 1, number of positions: 3, number of connections: 3, product range: PC 16/...-STF, pitch: 10.16 mm, connection method: Screw connection with tension sleeve, screw head form: L Slotted, conductor/PCB connection direction: 0 °, locking clip: - without locking clip, plug-in system: COMBICON PC 16, locking: Screw locking, mounting: Screw flange, type of packaging: packed in cardboard

# DFK-PC 16/ 3-STF-SH-10,16 - Feed-through plug

1703629

<https://www.phoenixcontact.com/de/produkte/1703629>

## PC 16/ 3-STF-SH-10,16 - PCB connector

1737530

<https://www.phoenixcontact.com/de/produkte/1737530>



PCB connector, nominal cross section: 16 mm<sup>2</sup>, color: green, nominal current: 76 A, rated voltage (III/2): 1000 V, contact surface: Silver, type of contact: Female connector, number of potentials: 3, number of rows: 1, number of positions: 3, number of connections: 3, product range: PC 16/...-STF-SH, pitch: 10.16 mm, connection method: Screw connection with tension sleeve, screw head form: L Slotted, conductor/PCB connection direction: 0 °, locking clip: - without locking clip, plug-in system: COMBICON PC 16, locking: Screw locking, mounting: Screw flange, type of packaging: packed in cardboard

## TPC 16/ 3-STF-10,16 - PCB connector

1715264

<https://www.phoenixcontact.com/de/produkte/1715264>



PCB connector, nominal cross section: 16 mm<sup>2</sup>, color: green, nominal current: 76 A, rated voltage (III/2): 1000 V, contact surface: Silver, type of contact: Female connector, number of potentials: 3, number of rows: 1, number of positions: 3, number of connections: 6, product range: TPC 16/...-STF, pitch: 10.16 mm, connection method: Screw connection with tension sleeve, screw head form: L Slotted, conductor/PCB connection direction: 50 °, locking clip: - without locking clip, plug-in system: COMBICON PC 16, locking: Screw locking, mounting: Screw flange, type of packaging: packed in cardboard

# DFK-PC 16/ 3-STF-SH-10,16 - Feed-through plug



1703629

<https://www.phoenixcontact.com/de/produkte/1703629>

## SPC 16/ 3-STF-10,16 - PCB connector

1711381

<https://www.phoenixcontact.com/de/produkte/1711381>



PCB connector, nominal cross section: 16 mm<sup>2</sup>, color: green, nominal current: 76 A, rated voltage (III/2): 1000 V, contact surface: Silver, type of contact: Female connector, number of potentials: 3, number of rows: 1, number of positions: 3, number of connections: 3, product range: SPC 16/...-STF, pitch: 10.16 mm, connection method: Push-in spring connection, conductor/PCB connection direction: 0 °, locking clip: - without locking clip, plug-in system: COMBICON PC 16, locking: Screw locking, mounting: Screw flange, type of packaging: packed in cardboard

---

Phoenix Contact 2023 © - all rights reserved

<https://www.phoenixcontact.com>

PHOENIX CONTACT Deutschland GmbH

Flachsmarktstraße 8

D-32825 Blomberg

+49 52 35/3-1 20 00

[info@phoenixcontact.de](mailto:info@phoenixcontact.de)