

DFK-IPC 16/ 7-GU-10,16 - Feed-through header



1702549

<https://www.phoenixcontact.com/de/produkte/1702549>

Please be informed that the data shown in this PDF document is generated from our Online Catalog. Please find the complete data in the user documentation. Our General Terms of Use for Downloads are valid.



Feed-through header, nominal cross section: 16 mm², color: green, nominal current: 76 A, rated voltage (III/2): 1000 V, contact surface: Silver, type of contact: Female connector, number of potentials: 7, number of rows: 1, number of positions: 7, number of connections: 7, product range: DFK-IPC 16/...-GU, pitch: 10.16 mm, mounting: Wave soldering, pin layout: Linear pinning, solder pin [P]: 4.1 mm, number of solder pins per potential: 3, plug-in system: COMBICON PC 16, Pin connector pattern alignment: reversed, locking: without, mounting: without, type of packaging: packed in cardboard

Your advantages

- Well-known mounting principle allows worldwide use
- Flange system enables secure fixing to the housing panel by means of tool-free snap-in locking or screws
- Inverted header with socket contacts for touch-proof device outputs or PCB/PCB connections
- Integrated double steel spring provides additional safety in the event of temperature and power fluctuations

Commercial Data

Item number	1702549
Packing unit	10 pc
Minimum order quantity	10 pc
Note	Made to Order (non-returnable)
Sales Key	E1 - Leiterplattenanschl.
Product Key	AAEWAF
Catalog Page	Page 579 (C-1-2013)
GTIN	4046356031295
Weight per Piece (including packing)	28,9 g
Weight per Piece (excluding packing)	24,816 g
Customs tariff number	85366990
Country of origin	PL

1702549

<https://www.phoenixcontact.com/de/produkte/1702549>

Technical Data

Product properties

Type	Feed-through header
Product line	COMBICON Connectors XL
Product type	Feed-through header
Product family	DFK-IPC 16/..-GU
Number of positions	7
Pitch	10.16 mm
Number of connections	7
Number of rows	1
Mounting flange	without
Number of potentials	7
Pin layout	Linear pinning
Solder pins per potential	3

Electrical properties

Nominal current I_N	76 A
Nominal voltage U_N	1000 V
Degree of pollution	3
Rated voltage (III/3)	1000 V
Rated surge voltage (III/3)	8 kV
Rated voltage (III/2)	1000 V
Rated surge voltage (III/2)	8 kV
Rated voltage (II/2)	1000 V
Rated surge voltage (II/2)	6 kV

Mounting

Mounting type	Wave soldering
Pin layout	Linear pinning

Material specifications

Material data - contact

Note	WEEE/RoHS-compliant, free of whiskers according to IEC 60068-2-82/JEDEC JESD 201
Contact material	Cu alloy
Surface characteristics	completely silver-plated
Metal surface contact area (top layer)	Silver (4 - 8 μm Ag)
Metal surface soldering area (top layer)	Silver (4 - 8 μm Ag)

Material data - housing

Color (Housing)	green (6021)
Insulating material	PA
Insulating material group	I

DFK-IPC 16/ 7-GU-10,16 - Feed-through header



1702549

<https://www.phoenixcontact.com/de/produkte/1702549>

CTI according to IEC 60112	600
Flammability rating according to UL 94	V0
Glow wire flammability index GWFI according to EN 60695-2-12	850
Glow wire ignition temperature GWIT according to EN 60695-2-13	775
Temperature for the ball pressure test according to EN 60695-10-2	125 °C

Material data – actuating element

Color ()	()
----------	----

Dimensions

Dimensional drawing	
Pitch	10.16 mm
Width [w]	95.24 mm
Height [h]	21.9 mm
Length [l]	34.55 mm
Installed height	17.8 mm
Solder pin length [P]	4.1 mm

PCB design

Pin spacing	10.16 mm
-------------	----------

Electrical tests

Air clearances and creepage distances |

Specification	IEC 60664-1:2007-04
Insulating material group	I
Comparative tracking index (IEC 60112)	CTI 600
Rated insulation voltage (III/3)	1000 V
Rated surge voltage (III/3)	8 kV
minimum clearance value - non-homogenous field (III/3)	8 mm
minimum creepage distance (III/3)	12.5 mm
Rated insulation voltage (III/2)	1000 V
Rated surge voltage (III/2)	8 kV
minimum clearance value - non-homogenous field (III/2)	8 mm
minimum creepage distance (III/2)	8 mm
Rated insulation voltage (II/2)	1000 V
Rated surge voltage (II/2)	6 kV
minimum clearance value - non-homogenous field (II/2)	5.5 mm
minimum creepage distance (II/2)	5.5 mm

1702549

<https://www.phoenixcontact.com/de/produkte/1702549>

Environmental and real-life conditions

Ambient conditions

Ambient temperature (operation)	-40 °C ... 100 °C (dependent on the derating curve)
Ambient temperature (storage/transport)	-40 °C ... 70 °C
Relative humidity (storage/transport)	30 % ... 70 %
Ambient temperature (assembly)	-5 °C ... 100 °C

Packaging specifications

Type of packaging	packed in cardboard
-------------------	---------------------

Packaging specifications

Type of packaging	packed in cardboard
-------------------	---------------------

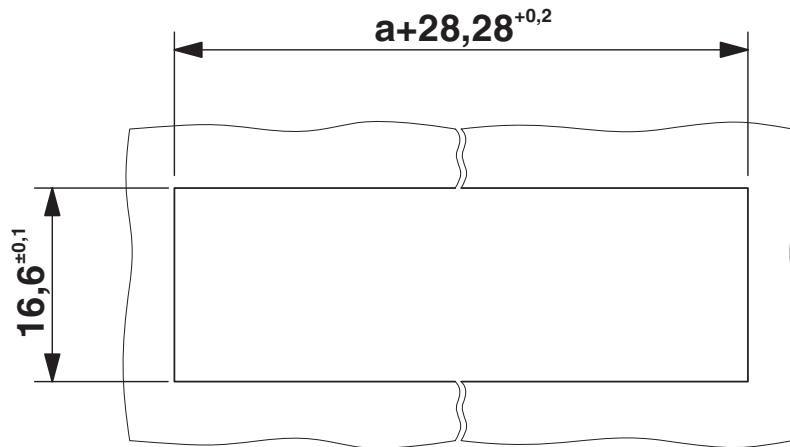
DFK-IPC 16/ 7-GU-10,16 - Feed-through header

1702549

<https://www.phoenixcontact.com/de/produkte/1702549>

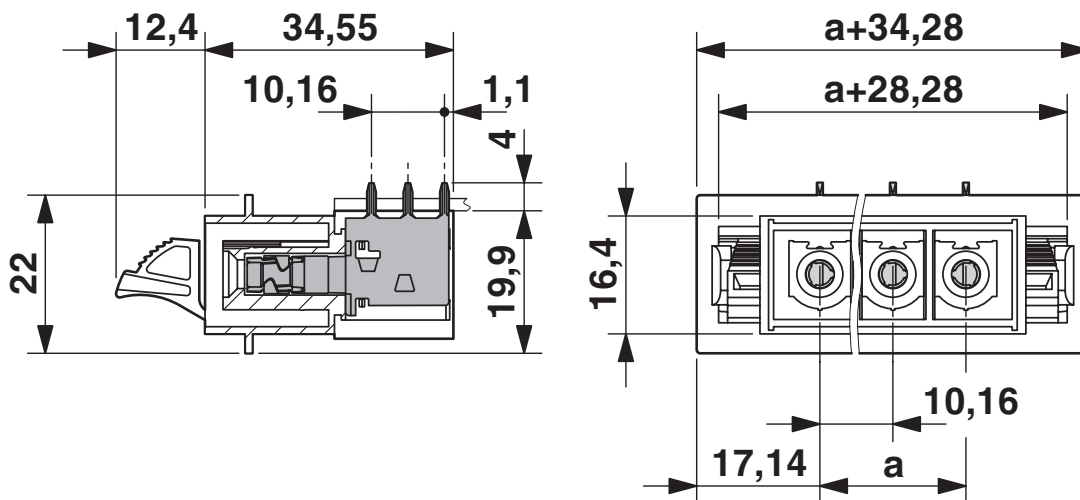
Drawings

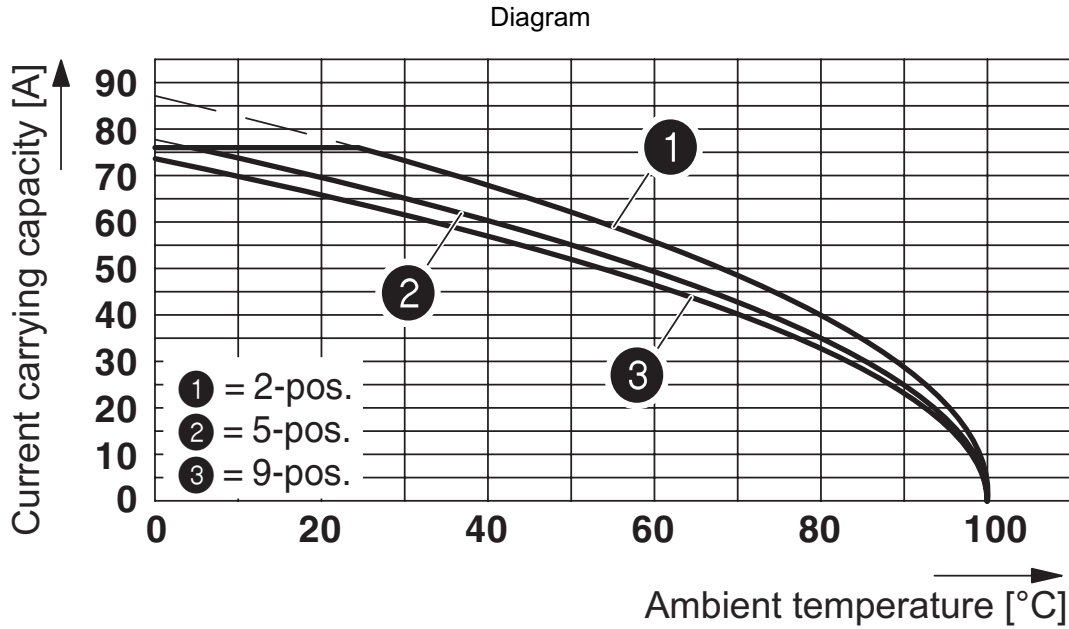
Dimensional drawing



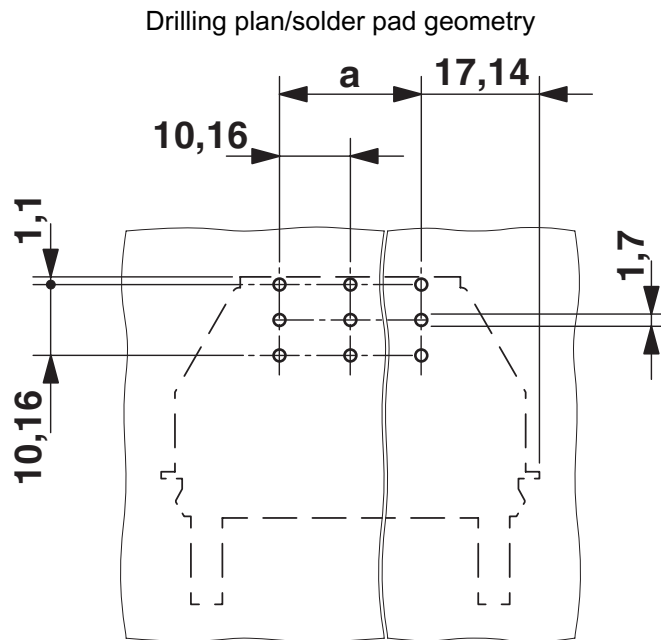
Sheet metal cutout for snap-on.

Dimensional drawing





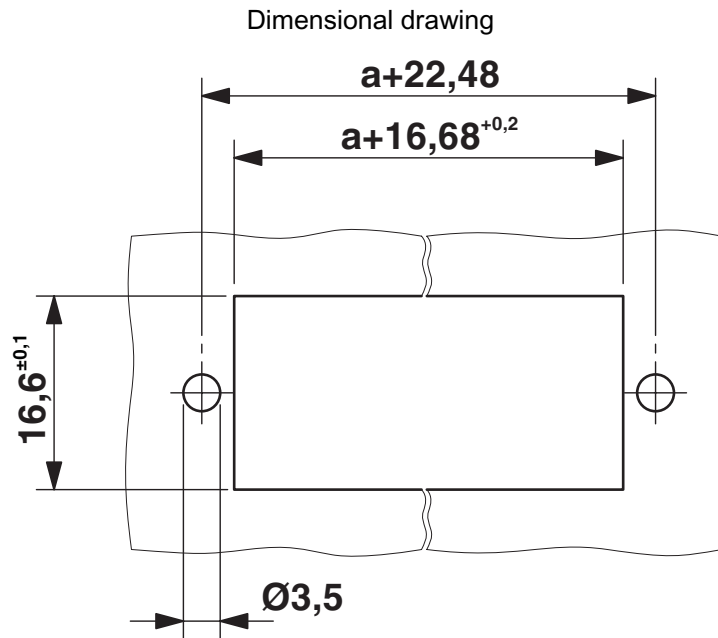
The figure shows the derating curve for DFK-IPC 16/...-G-10,16 inverted plugs in combination with the inverted header IPC 16/...-ST-10,16.



DFK-IPC 16/ 7-GU-10,16 - Feed-through header

1702549

<https://www.phoenixcontact.com/de/produkte/1702549>



Sheet metal cutout for screw connection.

DFK-IPC 16/ 7-GU-10,16 - Feed-through header



1702549

<https://www.phoenixcontact.com/de/produkte/1702549>

Approvals



EAC

Approval ID: B.01687



cULus Recognized

Approval ID: E60425-20040202

	Nominal Voltage U_N	Nominal Current I_N	Cross Section AWG	Cross Section mm^2
Use group B				
	300 V	55 A	-	-
Use group C				
	300 V	55 A	-	-
Use group D				
	600 V	5 A	-	-



IECEE CB Scheme

Approval ID: DE1-66677

	Nominal Voltage U_N	Nominal Current I_N	Cross Section AWG	Cross Section mm^2
		76 A	-	-



VDE Zeichengenehmigung

Approval ID: 40055586

	Nominal Voltage U_N	Nominal Current I_N	Cross Section AWG	Cross Section mm^2
		76 A	-	-

1702549

<https://www.phoenixcontact.com/de/produkte/1702549>

Classifications

ECLASS

ECLASS-9.0	27440402
ECLASS-10.0.1	27440402
ECLASS-11.0	27460201

ETIM

ETIM 8.0	EC002637
----------	----------

UNSPSC

UNSPSC 21.0	39121400
-------------	----------

DFK-IPC 16/ 7-GU-10,16 - Feed-through header



1702549

<https://www.phoenixcontact.com/de/produkte/1702549>

Environmental Product Compliance

China RoHS	Environmentally friendly use period: unlimited = EFUP-e
	No hazardous substances above threshold values

DFK-IPC 16/ 7-GU-10,16 - Feed-through header



1702549

<https://www.phoenixcontact.com/de/produkte/1702549>

Accessories

CP-PC RD - Coding profile

1701967

<https://www.phoenixcontact.com/de/produkte/1701967>

Coding profile, for plugging into the coding ribs of the plug at a later date, insulating material, color: Red



DFK-PC 16-SS - Accessories

1705449

<https://www.phoenixcontact.com/de/produkte/1705449>

Screw set for DFK-PC 16... connectors



DFK-IPC 16/ 7-GU-10,16 - Feed-through header

1702549

<https://www.phoenixcontact.com/de/produkte/1702549>

SZK PH1 VDE - Screwdriver

1205150

<https://www.phoenixcontact.com/de/produkte/1205150>



Screwdriver, PH crosshead, VDE insulated, size: PH 1 x 80 mm, 2-component grip, with non-slip grip

SZS 0,6X2,5 VDE - Screwdriver

1205040

<https://www.phoenixcontact.com/de/produkte/1205040>



Screwdriver, slot-headed, VDE insulated, size: 0.6 x 2.5 x 80 mm, 2-component grip, with non-slip grip

DFK-IPC 16/ 7-GU-10,16 - Feed-through header

1702549

<https://www.phoenixcontact.com/de/produkte/1702549>

DFK-PC MOUNT SET - Accessories

1054021

<https://www.phoenixcontact.com/de/produkte/1054021>

Contains 20 pcs. latch and screw elements for feed-through connectors each



IPC 16/ 7-ST-10,16 - PCB connector

1969425

<https://www.phoenixcontact.com/de/produkte/1969425>



PCB connector, nominal cross section: 16 mm², color: green, nominal current: 76 A, rated voltage (III/2): 1000 V, contact surface: Silver, type of contact: Male connector, number of potentials: 7, number of rows: 1, number of positions: 7, number of connections: 7, product range: IPC 16/..-ST, pitch: 10.16 mm, connection method: Screw connection with tension sleeve, screw head form: L Slotted, conductor/PCB connection direction: 0 °, locking clip: - without locking clip, plug-in system: COMBICON PC 16, locking: without, mounting: without, type of packaging: packed in cardboard

DFK-IPC 16/ 7-GU-10,16 - Feed-through header



1702549

<https://www.phoenixcontact.com/de/produkte/1702549>

ISPC 16/ 7-ST-10,16 - PCB connector

1748590

<https://www.phoenixcontact.com/de/produkte/1748590>



PCB connector, nominal cross section: 16 mm², color: green, nominal current: 76 A, rated voltage (III/2): 1000 V, contact surface: Silver, type of contact: Male connector, number of potentials: 7, number of rows: 1, number of positions: 7, number of connections: 7, product range: ISPC 16/..-ST, pitch: 10.16 mm, connection method: Push-in spring connection, conductor/PCB connection direction: 0 °, locking clip: - without locking clip, plug-in system: COMBICON PC 16, locking: without, mounting: without, type of packaging: packed in cardboard

Phoenix Contact 2023 © - all rights reserved

<https://www.phoenixcontact.com>

PHOENIX CONTACT Deutschland GmbH

Flachsmarktstraße 8

D-32825 Blomberg

+49 52 35/3-1 20 00

info@phoenixcontact.de