

D-SUB contact support - VS-15-ST-DSUB-3P - 1688201

Please be informed that the data shown in this PDF Document is generated from our Online Catalog. Please find the complete data in the user's documentation. Our General Terms of Use for Downloads are valid (<http://phoenixcontact.com/download>)



D-SUB contact carrier, shell size 2, accommodation for three combined contacts, type of contact pin, straight, fixing with a 3 mm hole, for panel mounting frame and sleeve housing VS-15-...



Key Commercial Data

Packing unit	1 pc
Minimum order quantity	10 pc
Weight per Piece (excluding packing)	5.61 g
Custom tariff number	85366990
Country of origin	Germany

Technical data

General data

Note	The contacts must be ordered separately since they are not included in the scope of supply of the contact carriers.
Number of positions	3

Standards and Regulations

Flammability rating according to UL 94	V0
--	----

Classifications

eCl@ss

eCl@ss 4.0	27140816
eCl@ss 4.1	27260701
eCl@ss 5.0	27260701
eCl@ss 5.1	27260701
eCl@ss 6.0	27260705
eCl@ss 7.0	27440207

D-SUB contact support - VS-15-ST-DSUB-3P - 1688201

Classifications

eCl@ss

eCl@ss 8.0	27440302
eCl@ss 9.0	27440205

ETIM

ETIM 2.0	EC000438
ETIM 3.0	EC000438
ETIM 4.0	EC000438
ETIM 5.0	EC001132

UNSPSC

UNSPSC 6.01	30211923
UNSPSC 7.0901	39121522
UNSPSC 11	39121522
UNSPSC 12.01	39121522
UNSPSC 13.2	39121522

Approvals

Approvals

Approvals


EAC / UL Recognized

Ex Approvals

Approvals submitted

Approval details

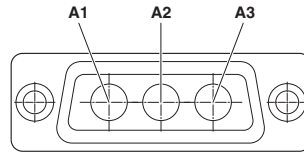
EAC

UL Recognized 

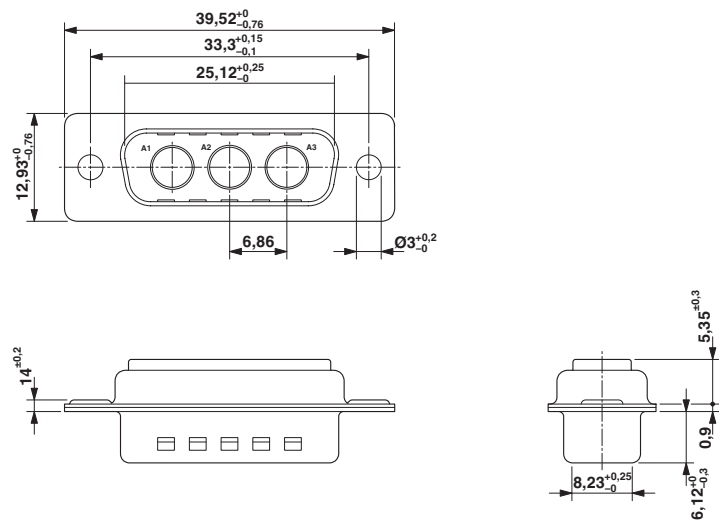
Drawings

D-SUB contact support - VS-15-ST-DSUB-3P - 1688201

Schematic diagram



Dimensional drawing



D-SUB contact carrier