

Coaxial contact - HC-M-04-BU-KOAX-75 - 1686258


Please be informed that the data shown in this PDF Document is generated from our Online Catalog. Please find the complete data in the user's documentation. Our General Terms of Use for Downloads are valid (<http://phoenixcontact.com/download>)



Coaxial contact, contact diameter: 4.8 mm, turned, Socket, contact material: Copper alloy, contact surface: gold-plated, connection cross section: 0.14 mm² ... 2.5 mm², Wave impedance: 75 Ω



Key Commercial Data

Packing unit	1 STK
GTIN	 4 017918 174132
GTIN	4017918174132
Weight per Piece (excluding packing)	2.940 g
Custom tariff number	85366910
Country of origin	Germany

Technical data

Electrical characteristics

Note	Cables that can be used for the coaxial contact: RG179B/U, RG187A/U Coaxial contact for module HC-M-04-KT-M
Rated voltage (III/3)	50 V AC
Rated current	1.5 A
Wave impedance	75 Ω

Ambient conditions

Ambient temperature (operation)	-40 °C ... 125 °C
---------------------------------	-------------------

Mechanical characteristics

Conductor cross section	0.14 mm ² ... 2.5 mm ²
Connection cross section AWG	26 ... 14

Coaxial contact - HC-M-04-BU-KOAX-75 - 1686258

Technical data

Mechanical characteristics

Stripping length of the individual wire	2 mm
Contact diameter	4.8 mm
Insertion/withdrawal cycles	≥ 500

General

Type	Individual male contact
Series	HC-M-04-KOAX
Connection method	Soldering and crimp connection (Solder connection (wire) / crimp connection (braided shield))
Connection in acc. with standard	IEC / EN
Contact type	turned

Material data

Contact material	Copper alloy
Contact surface material	gold-plated

Standards and Regulations

Connection in acc. with standard	UL
----------------------------------	----

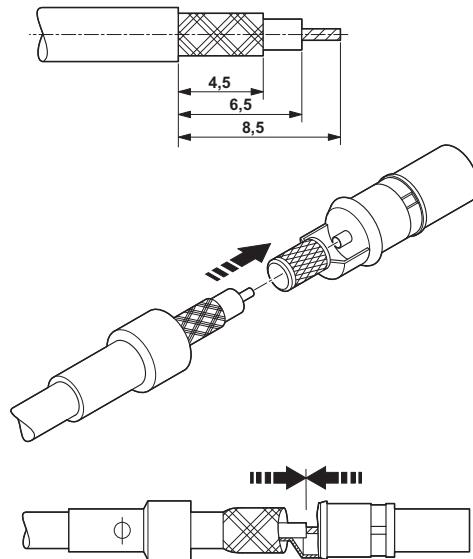
Environmental Product Compliance

China RoHS	Environmentally friendly use period: unlimited = EFUP-e
	No hazardous substances above threshold values

Drawings

Coaxial contact - HC-M-04-BU-KOAX-75 - 1686258

Schematic diagram



Assembly instruction:

RG cables 174/U; 188A/U; 316/U; 179B/U; 187A/U. Prepare the cable (see diagram) and slide the sleeve over the cable. Then solder the wire to the coaxial contact and lay the braided shield over the ridges of the contact. Slide the sleeve over the braided shield and crimp the shield/cable along the narrow contact collar.

Classifications

eCl@ss

eCl@ss 4.0	27140816
eCl@ss 4.1	27140816
eCl@ss 5.0	27143424
eCl@ss 5.1	27143424
eCl@ss 6.0	27143424
eCl@ss 7.0	27440209
eCl@ss 8.0	27440204
eCl@ss 9.0	27440204

ETIM

ETIM 2.0	EC000796
ETIM 3.0	EC000796
ETIM 4.0	EC000796
ETIM 5.0	EC000796
ETIM 6.0	EC000796

Coaxial contact - HC-M-04-BU-KOAX-75 - 1686258

Classifications

UNSPSC

UNSPSC 6.01	30211923
UNSPSC 7.0901	39121522
UNSPSC 11	39121522
UNSPSC 12.01	39121522
UNSPSC 13.2	39121522

Approvals


Approvals


Approvals

UL Recognized / EAC

Ex Approvals

Approval details

UL Recognized		http://database.ul.com/cgi-bin/XYV/template/LISEXT/1FRAME/index.htm	FILE E 118976
Nominal voltage UN		600 V	

EAC		RU C- DE.AI30.B.01102
-----	---	--------------------------

Accessories

Accessories

Assembly tool

Contact removal tool - HC-M4-KOAX-EWZ - 1676747



Contact removal tool for coaxial contacts

Coaxial contact - HC-M-04-BU-KOAX-75 - 1686258

Accessories

Crimping tool

Crimping pliers - CRIMPFOX-CX 4,52 - 1212094



Crimping pliers, for coaxial connectors, 3.25 mm, 4.52 mm, 1.69 mm, HEX crimp
