

# Sensor/actuator cable - SAC-3P-M 8MR/3,0-PUR/M 8FR-2L



1682139

<https://www.phoenixcontact.com/pc/products/1682139>

Please be informed that the data shown in this PDF document is generated from our Online Catalog. Please find the complete data in the user documentation. Our General Terms of Use for Downloads are valid.



Sensor/actuator cable, 3-position, PUR halogen-free, black-gray RAL 7021, Plug angled M8, on Socket angled M8, with 2 LEDs, cable length: 3 m

## Your advantages

- Easy and safe: 100% electrically tested plug-in components
- Convenient: increased machine availability thanks to quick and easy diagnostics

## Commercial Data

Item number	1682139
Packing unit	1 pc
Minimum order quantity	1 pc
Note	Made to Order (non-returnable)
Sales Key	02
Product Key	BF1BBA
Catalog Page	Page 188 (C-2-2019)
GTIN	4017918158798
Weight per Piece (including packing)	62 g
Weight per Piece (excluding packing)	62 g
Customs tariff number	85444290
Country of origin	PL

# Sensor/actuator cable - SAC-3P-M 8MR/3,0-PUR/M 8FR-2L



1682139

<https://www.phoenixcontact.com/pc/products/1682139>

## Technical Data

### Product properties

Product type	Sensor/actuator cable
Number of positions	3
Application	Standard
No. of cable outlets	1
Shielded	no
Coding	A - standard

### Insulation characteristics

Overvoltage category	II
Degree of pollution	3

### Material specifications

Flammability rating according to UL 94	HB
Sealing material	NBR
Material of grip body	TPU, hardly inflammable, self-extinguishing
Contact material	CuSn
Contact surface material	Ni/Au
Contact carrier material	TPU GF
Material for screw connection	Zinc die-cast, nickel-plated

### Electrical properties

Contact resistance	$\leq 5 \text{ m}\Omega$
Insulation resistance	$\geq 100 \text{ M}\Omega$
Nominal voltage $U_N$	24 V DC
Nominal current $I_N$	4 A
Protective circuit	unwired

### Mechanical properties

#### Mechanical data

Insertion/withdrawal cycles	$\geq 100$
-----------------------------	------------

### LED signaling

Status display	2 LEDs
Status display present	yes

### Connection data

#### Conductor connection

Tightening torque	0.2 Nm (M8 connectors)
-------------------	------------------------

### Connector

# Sensor/actuator cable - SAC-3P-M 8MR/3,0-PUR/M 8FR-2L

1682139

<https://www.phoenixcontact.com/pc/products/1682139>

## Connection 1

Head design	Plug
Head cable outlet	angled
Head thread type	M8


## Connection 2

Head design	Socket
Head cable outlet	angled
Head thread type	M8
Status indicator head	2 LEDs

## Cable / line

Cable length	3 m
--------------	-----

## PUR halogen-free black [PUR]

Dimensional drawing	
Cable weight	18 kg/km
UL AWM Style	20549 / 10493 (80°C/300 V)
Number of positions	3
Shielded	no
Cable type	PUR halogen-free black [PUR]
Conductor structure signal line	32x 0.10 mm
AWG signal line	24
Conductor cross section	3x 0.25 mm <sup>2</sup>
Wire diameter incl. insulation	1.17 mm ±0.02 mm
External cable diameter	3.6 mm ±0.15 mm
Outer sheath, material	PUR
External sheath, color	black-gray RAL 7021
Conductor material	Bare Cu litz wires
Material wire insulation	PP
Single wire, color	brown, blue, black
Thickness, insulation	≥ 0.21 mm (Core insulation)
Thickness, outer sheath	approx. 0.5 mm
Overall twist	3 wires, twisted
Length of twist, overall twist	40 mm
Max. conductor resistance	≤ 78 Ω/km (at 20 °C)
Insulation resistance	≥ 100 GΩ*km (at 20 °C)

# Sensor/actuator cable - SAC-3P-M 8MR/3,0-PUR/M 8FR-2L



1682139

<https://www.phoenixcontact.com/pc/products/1682139>

Nominal voltage, cable	≤ 300 V
Test voltage	≥ 3000 V
Smallest bending radius, fixed installation	18 mm
Smallest bending radius, movable installation	36 mm
Max. bending cycles	10000000
Halogen-free	in accordance with DIN VDE 0472 part 815
Flame resistance	in accordance with UL 758/1581 FT2 DIN EN 60332-2-2 (20 s)
Resistance to oil	in accordance with DIN EN 60811-2-1
Other resistance	hydrolysis and microbe resistant Highly resistant to acids, alkaline solutions and solvents Resistant to salt water partly UV-resistant in accordance with DIN EN ISO 4892-2-A
Special properties	Flexible cable conduit capable Silicone-free Free of substances which would hinder coating with paint or varnish
Ambient temperature (operation)	-40 °C ... 80 °C (cable, fixed installation) -25 °C ... 80 °C (Cable, flexible installation)

## Ambient conditions

Degree of protection	IP65 IP67 IP68
Ambient temperature (operation)	-25 °C ... 90 °C (Plug / socket) -40 °C ... 80 °C (cable, fixed installation) -5 °C ... 80 °C (Cable, flexible installation)

## Standards and regulations

Standards/specifications	IEC 61076-2-104
--------------------------	-----------------

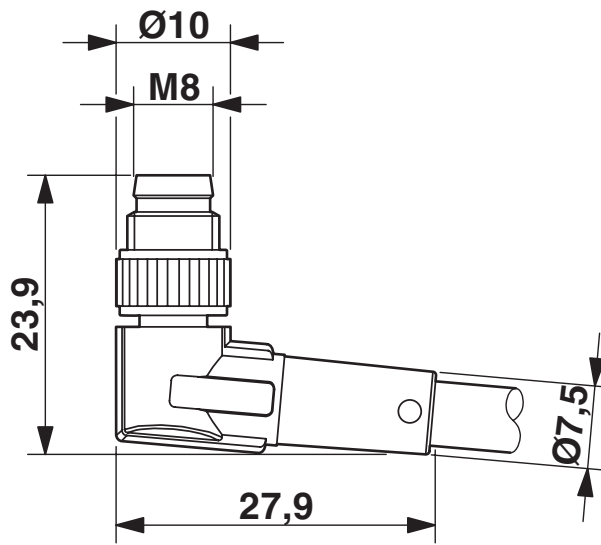
# Sensor/actuator cable - SAC-3P-M 8MR/3,0-PUR/M 8FR-2L

1682139

<https://www.phoenixcontact.com/pc/products/1682139>

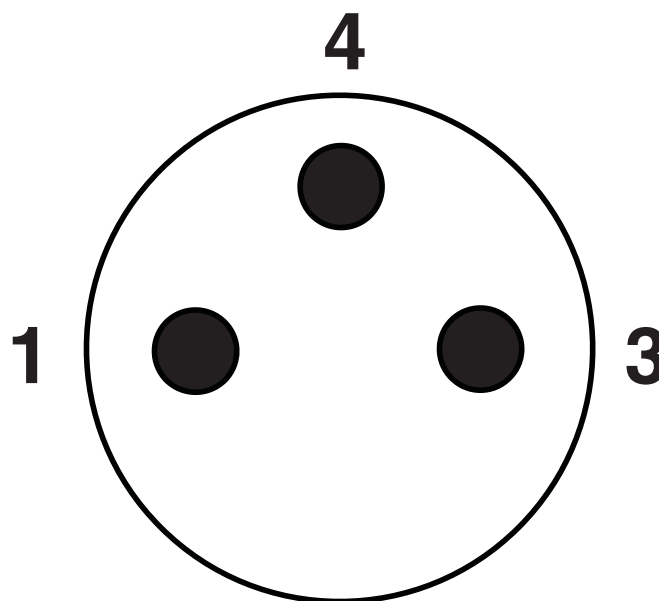
## Drawings

Dimensional drawing



M8 x 1 male plug, angled version

Schematic diagram



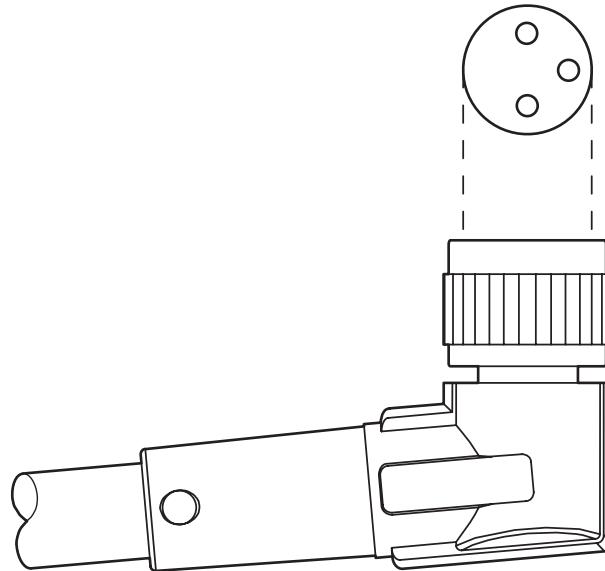
Pin assignment M8 plug, 3-pos., view male side

# Sensor/actuator cable - SAC-3P-M 8MR/3,0-PUR/M 8FR-2L

1682139

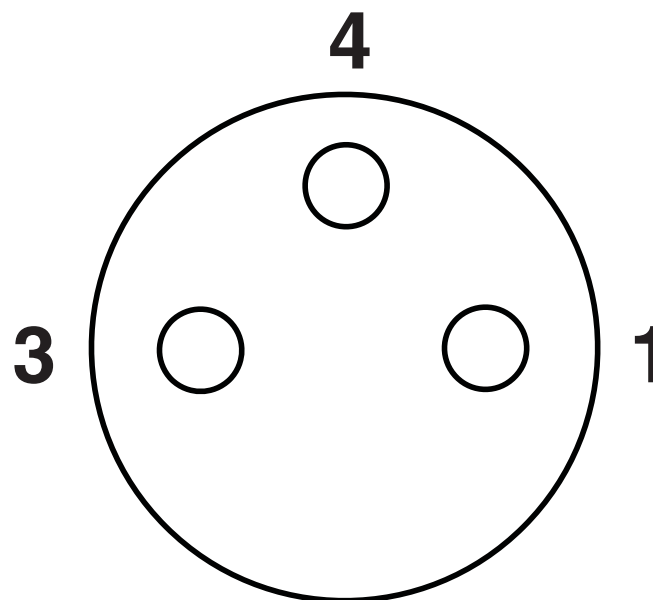
<https://www.phoenixcontact.com/pc/products/1682139>

Schematic diagram



Layout of connector pin assignments

Schematic diagram



Pin assignment M8 socket, 3-pos., view female side

# Sensor/actuator cable - SAC-3P-M 8MR/3,0-PUR/M 8FR-2L

1682139

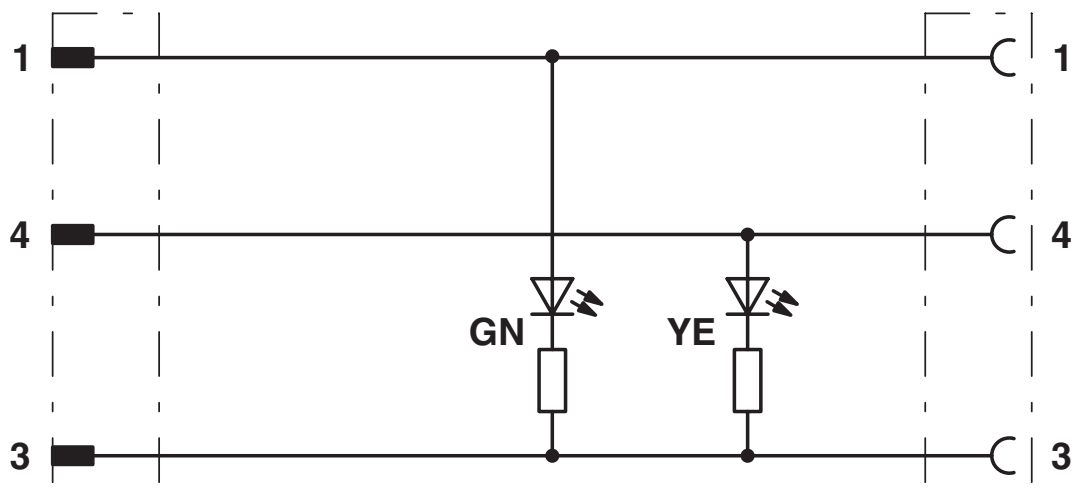
<https://www.phoenixcontact.com/pc/products/1682139>

Schematic diagram



Layout of connector pin assignments

Circuit diagram

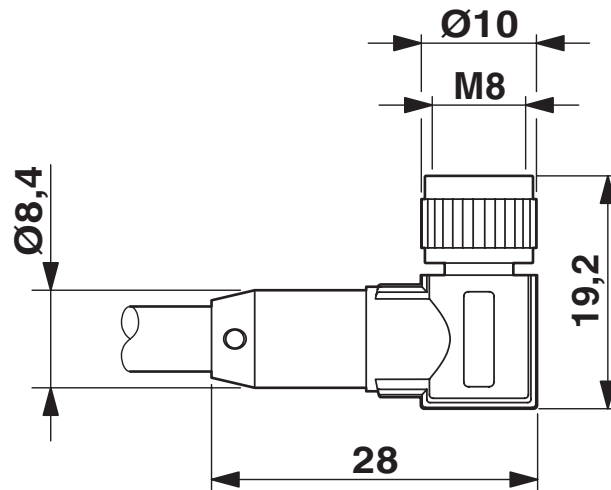


# Sensor/actuator cable - SAC-3P-M 8MR/3,0-PUR/M 8FR-2L

1682139

<https://www.phoenixcontact.com/pc/products/1682139>

Dimensional drawing



Socket M8 x 1, angled, with LED

# Sensor/actuator cable - SAC-3P-M 8MR/3,0-PUR/M 8FR-2L





1682139

<https://www.phoenixcontact.com/pc/products/1682139>

## Approvals

 <b>UL Listed</b> Approval ID: FILE E 221474				
	Nominal Voltage $U_N$	Nominal Current $I_N$	Cross Section AWG	Cross Section $\text{mm}^2$
	24 V	4 A	-	-

 <b>cUL Listed</b> Approval ID: FILE E 221474				
	Nominal Voltage $U_N$	Nominal Current $I_N$	Cross Section AWG	Cross Section $\text{mm}^2$
	24 V	4 A	-	-

 <b>EAC</b> Approval ID: RU D-DE.HB35.B.00387	
---	--

<b>cULus Listed</b>
---------------------

# Sensor/actuator cable - SAC-3P-M 8MR/3,0-PUR/M 8FR-2L



1682139

<https://www.phoenixcontact.com/pc/products/1682139>

## Classifications

### ECLASS

ECLASS-9.0	27060311
ECLASS-10.0.1	27060311
ECLASS-11.0	27060311

### ETIM

ETIM 8.0	EC001855
----------	----------

### UNSPSC

UNSPSC 21.0	26121600
-------------	----------

# Sensor/actuator cable - SAC-3P-M 8MR/3,0-PUR/M 8FR-2L



1682139

<https://www.phoenixcontact.com/pc/products/1682139>

## Environmental Product Compliance

REACH SVHC	Lead 7439-92-1
China RoHS	Environmentally Friendly Use Period = 50 years
	For information on hazardous substances, refer to the manufacturer's declaration available under "Downloads"

# Sensor/actuator cable - SAC-3P-M 8MR/3,0-PUR/M 8FR-2L



1682139

<https://www.phoenixcontact.com/pc/products/1682139>

## Accessories

### Sealing cap

Sealing cap - PROT-M 8 FS-PA-CHAIN - 1430857

<https://www.phoenixcontact.com/pc/products/1430857>

M8 sealing cap made of plastic with fixing band for sensor cables, for M8 plugs



---

### Insert label

Insert label - PABA WH/23 - 1013779

<https://www.phoenixcontact.com/pc/products/1013779>

Insert label, Strip, white, unlabeled, can be labeled with: CMS-P1-PLOTTER, mounting type: slide-on, cable diameter range: 1.5 ... 35 mm, lettering field size: 23 x 4 mm, Number of individual labels: 20



# Sensor/actuator cable - SAC-3P-M 8MR/3,0-PUR/M 8FR-2L



1682139

<https://www.phoenixcontact.com/pc/products/1682139>

## Insert label

Insert label - PABA YE/23 - 1013782

<https://www.phoenixcontact.com/pc/products/1013782>



Insert label, Strip, yellow, unlabeled, can be labeled with: CMS-P1-PLOTTER, mounting type: slide-on, cable diameter range: 1.5 ... 35 mm, lettering field size: 23 x 4 mm, Number of individual labels: 20

---

## Marker pen

Marker pen - B-STIFT - 1051993

<https://www.phoenixcontact.com/pc/products/1051993>



Marker pen, for manual labeling of unprinted Zack strips, smear-proof and waterproof, line thickness 0.5 mm

# Sensor/actuator cable - SAC-3P-M 8MR/3,0-PUR/M 8FR-2L



1682139

<https://www.phoenixcontact.com/pc/products/1682139>

## Screw plug

Screw plug - PROT-M 8 MS-PA-CHAIN - 1430860

<https://www.phoenixcontact.com/pc/products/1430860>

M8 sealing cap made of plastic with fixing band for sensor cables, for M8 sockets



---

## Torque screwdriver

Torque screwdriver - TSD 02 SAC - 1208487

<https://www.phoenixcontact.com/pc/products/1208487>

Torque screwdriver, with preset torque of 0.2 Nm and 4 mm hexagonal drive for M8 connectors



# Sensor/actuator cable - SAC-3P-M 8MR/3,0-PUR/M 8FR-2L



1682139

<https://www.phoenixcontact.com/pc/products/1682139>

## Tool

Tool - SAC BIT M8-D10 - 1208461

<https://www.phoenixcontact.com/pc/products/1208461>



Nut for assembling M8 connectors with longitudinal knurl and a knurl diameter of 10 mm, for 4 mm hexagonal drive

---

Phoenix Contact 2022 © - all rights reserved

<https://www.phoenixcontact.com>

PHOENIX CONTACT GmbH & Co. KG

Flachsmarktstraße 8

D-32825 Blomberg

+49 (0) 5235-3 00

[info@phoenixcontact.com](mailto:info@phoenixcontact.com)