

Crimp contact - CK1,6-ED-1,50ST AU - 1674875

Please be informed that the data shown in this PDF Document is generated from our Online Catalog. Please find the complete data in the user's documentation. Our General Terms of Use for Downloads are valid (<http://phoenixcontact.com/download>)




Turned 1.6 crimp contact, individual male contact, core diameter 1.5 mm², gold-plated

RoHS

COMPLETE

Key Commercial Data

Packing unit	1 pc
Minimum order quantity	100 pc
GTIN	 4 017918 135577
GTIN	4017918135577
Weight per Piece (excluding packing)	0.648 g
Custom tariff number	85366990
Country of origin	Germany

Technical data

Ambient conditions

Ambient temperature (operation)	-40 °C ... 125 °C
---------------------------------	-------------------

Mechanical characteristics

Conductor cross section	1.5 mm ² ... 1.5 mm ²
Connection cross section AWG	16
Stripping length of the individual wire	8 mm
Contact diameter	1.6 mm
Insertion/withdrawal cycles	≥ 500

General

Note	for HC-M-12, HC-M-17, HC-M-03/04, HC-M-EMV, HC-D, HC-DD, HC-Q, and VC-D contact carriers
------	--

Crimp contact - CK1,6-ED-1,50ST AU - 1674875

Technical data

General

Type	Individual male contact
Series	HC-M-12
Connection method	Crimp connection
Contact type	turned
Assembly instructions	At voltages of < 5 V and currents < 5 mA, gold-plated contacts are recommended.
Connection	The quality of a crimp connection is determined by DIN EN 60352-2.

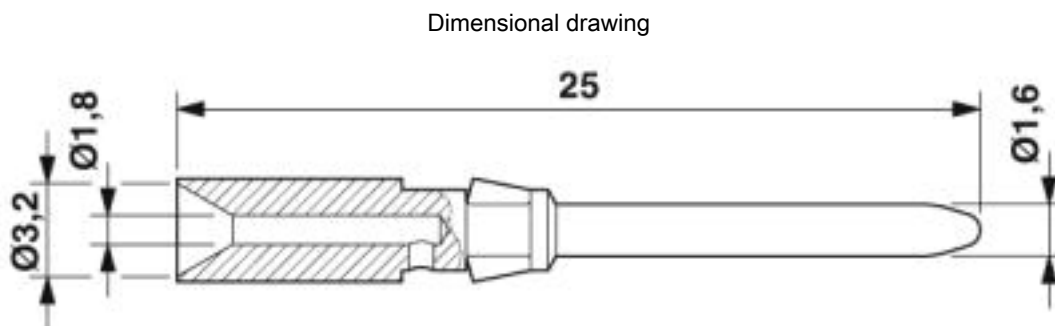
Material data

Contact material	Copper alloy
Contact surface material	gold-plated

Environmental Product Compliance

	Lead 7439-92-1
China RoHS	Environmentally Friendly Use Period = 50
	For details about hazardous substances go to tab "Downloads", Category "Manufacturer's declaration"

Drawings



Classifications

eCl@ss

eCl@ss 4.0	27140800
eCl@ss 4.1	27140800
eCl@ss 5.0	27143400
eCl@ss 5.1	27261200
eCl@ss 6.0	27261200
eCl@ss 7.0	27440204
eCl@ss 8.0	27440204

Crimp contact - CK1,6-ED-1,50ST AU - 1674875

Classifications

eCl@ss

eCl@ss 9.0	27440204
------------	----------

ETIM

ETIM 2.0	EC000796
ETIM 3.0	EC000796
ETIM 4.0	EC000796
ETIM 5.0	EC000796
ETIM 6.0	EC000796
ETIM 7.0	EC000796

UNSPSC

UNSPSC 6.01	30211923
UNSPSC 7.0901	39121522
UNSPSC 11	39121522
UNSPSC 12.01	39121522
UNSPSC 13.2	39121522

Approvals


Approvals

Approvals

EAC / EAC

Ex Approvals

Approval details

EAC		RU C- DE.AI30.B.01102
-----	---	--------------------------

EAC		EAC-Zulassung
-----	---	---------------

Crimp contact - CK1,6-ED-1,50ST AU - 1674875

Accessories

Accessories

Assembly tool

Assembly tool - UNIFOX MT-CK 1.6/2.5 - 1089092



Assembly tool, for CK 1.6... crimp contacts for small conductor cross sections

Crimping tool

Crimping pliers - CRIMPFOX-TC 4 - 1212113



Crimping pliers, for CK 1,6-ED..., CK 2,5-ED..., CK 4,0-ED... turned contacts, 4 marked die stations, unlockable pressure lock, lateral entry, incl. positioning tool

Universal tools

Contact removal tool - UNIFOX RT-CK 1.6 - 1072069



Contact removal tool, for turned and rolled CK- 1.6-... contacts
