

Crimp contact - CK2,5-ED-1,00BU AU

1674833

<https://www.phoenixcontact.com/in/products/1674833>



Please be informed that the data shown in this PDF document is generated from our Online Catalog. Please find the complete data in the user documentation. Our General Terms of Use for Downloads are valid.



Turned 2.5 crimp contact, individual female contact, core diameter 0.75 to 1.0 mm², gold-plated

Crimp contact - CK2,5-ED-1,00BU AU



1674833

<https://www.phoenixcontact.com/in/products/1674833>

Commercial Data

Item number	1674833
Packing unit	100 pc
Minimum order quantity	100 pc
Sales Key	BF7
Product Key	BF7AID
Catalog Page	Page 509 (C-2-2019)
GTIN	4017918135539
Weight per Piece (including packing)	1.59 g
Weight per Piece (excluding packing)	1.5 g
Customs tariff number	74152900
Country of origin	DE

Crimp contact - CK2,5-ED-1,00BU AU



1674833

<https://www.phoenixcontact.com/in/products/1674833>

Technical Data

Product properties

Product type	Crimp contact
Type	Individual female contact
Contact type	turned
Series	HC-M-06
	HC-M-HV
	HC-M-08
	HC-A
	HC-BB
	HC-B
	HC-HV
	HC-M-20
	HC-K
	HC-Q
	HC-COM
	HC-M-EMV

Mounting

Assembly instructions	At voltages of < 5 V and currents < 5 mA, gold-plated contacts are recommended.
	The quality of a crimp connection is determined by DIN EN 60352-2.

Material specifications

Contact material	Copper alloy
Contact surface material	gold-plated

Notes

General	for HC-M-06..., HC-M-HV-, HC-M-08-, HC-M-20-, HC-A..., HC-B.., HC-BB..., HC-BBB..., and HC-HV contact carriers
---------	--

Dimensions

Mechanical characteristics

Contact diameter	2.5 mm
------------------	--------

Environmental and real-life conditions

Ambient conditions

Ambient temperature (operation)	-40 °C ... 125 °C
---------------------------------	-------------------

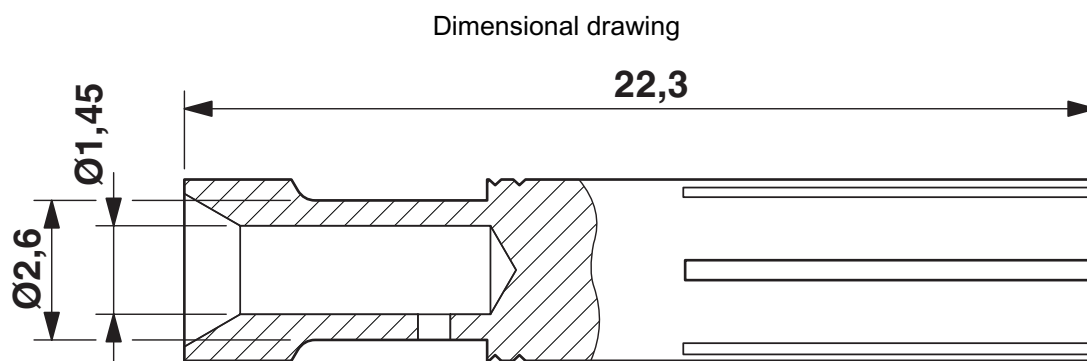
Crimp contact - CK2,5-ED-1,00BU AU



1674833

<https://www.phoenixcontact.com/in/products/1674833>

Drawings



Crimp contact - CK2,5-ED-1,00BU AU



1674833

<https://www.phoenixcontact.com/in/products/1674833>

Approvals



EAC

Approval ID: RU C-DE.AI30.B.01102



EAC

Approval ID: EAC-Zulassung

Crimp contact - CK2,5-ED-1,00BU AU



1674833

<https://www.phoenixcontact.com/in/products/1674833>

Classifications

ECLASS

ECLASS-9.0	27440204
ECLASS-10.0.1	27440204
ECLASS-11.0	27440204

ETIM

ETIM 8.0	EC000796
----------	----------

UNSPSC

UNSPSC 21.0	39121500
-------------	----------

Crimp contact - CK2,5-ED-1,00BU AU



1674833

<https://www.phoenixcontact.com/in/products/1674833>

Environmental Product Compliance

REACH SVHC	Lead 7439-92-1
China RoHS	Environmentally Friendly Use Period = 50 years
	For information on hazardous substances, refer to the manufacturer's declaration available under "Downloads"

Crimp contact - CK2,5-ED-1,00BU AU

1674833

<https://www.phoenixcontact.com/in/products/1674833>



Accessories

Assembly tool

Assembly tool - UNIFOX MT-CK 1.6/2.5 - 1089092

<https://www.phoenixcontact.com/in/products/1089092>

Assembly tool, for CK 1.6... crimp contacts for small conductor cross sections



Contact removal tool

Contact removal tool - UNIFOX RT-CK 2.5 - 1072067

<https://www.phoenixcontact.com/in/products/1072067>

Contact removal tool, for turned CK 2,5... contacts



Crimp contact - CK2,5-ED-1,00BU AU

1674833

<https://www.phoenixcontact.com/in/products/1674833>

Crimp contact

Crimp contact - CK2,5-ED-1,00ST AU - 1674781

<https://www.phoenixcontact.com/in/products/1674781>



Turned 2.5 crimp contact, individual male contact, core diameter 0.75 to 1.0 mm², gold-plated

Crimping pliers with digital display

Crimping pliers with digital display - CRIMPFOX-TC MP-6 - 1202888

<https://www.phoenixcontact.com/in/products/1202888>



Crimping tool, for turned contacts, universal cross-section setting, up to a maximum of 6.0 mm², digital display with 0.01 mm increments, pressure lock can be unlocked, positioning tool necessary as an accessory for contact positioning

Crimp contact - CK2,5-ED-1,00BU AU

1674833

<https://www.phoenixcontact.com/in/products/1674833>



Crimping pliers

Crimping pliers - CRIMPFOX-TC 4 - 1212113

<https://www.phoenixcontact.com/in/products/1212113>



Crimping pliers, for CK 1,6-ED..., CK 2,5-ED..., CK 4,0-ED... turned contacts, 4 marked die stations, unlockable pressure lock, lateral entry, incl. positioning tool

Phoenix Contact 2022 © - all rights reserved

<https://www.phoenixcontact.com>

PHOENIX CONTACT (I) Pvt. Ltd.

A-58/2, Okhla Industrial Area, Phase - II, New Delhi-110 020

+91.1275.71420

info@phoenixcontact.co.in