

Q 0,75/4FL/11-11KU-ESA - Panel feed-through



1670688

<https://www.phoenixcontact.com/pc/products/1670688>

Please be informed that the data shown in this PDF document is generated from our Online Catalog. Please find the complete data in the user documentation. Our General Terms of Use for Downloads are valid.



QUICKON panel feed-through, for external wall mounting with manual solder/slip-on connection, 2.8 x 0.8 mm. 4-pos.

Commercial Data

| | |
|--------------------------------------|-------------------|
| Item number | 1670688 |
| Packing unit | 10 pc |
| Minimum order quantity | 1 pc |
| Product Key | BF6HAA |
| Catalog Page | Page 16 (PC-2002) |
| GTIN | 4017918156336 |
| Weight per Piece (including packing) | 21.08 g |
| Weight per Piece (excluding packing) | 21 g |
| Customs tariff number | 85369010 |
| Country of origin | PL |

Q 0,75/4FL/11-11KU-ESA - Panel feed-through



1670688

<https://www.phoenixcontact.com/pc/products/1670688>

Technical Data

Product properties

| | |
|------------------------------------|--------------------|
| Product type | Panel feed-through |
| Number of positions | 4 |
| Position marking | 1, 2, 3, 4 |
| Number of connections per position | 1 |
| Locking type | Screw locking |
| Shielded | no |
| Thread type | Pg11 |

Insulation characteristics

| | |
|----------------------|-----|
| Overvoltage category | III |
| Degree of pollution | 3 |

Connection data


Connection technology

| | |
|-----------------------------|----------------------------------|
| Connection technology | QUICKON connection |
| Connection system, internal | Manual solder/slip on connection |

Conductor connection

| | |
|-----------------------------------|---|
| Conductor cross section flexibel | 0.34 mm ² ... 0.75 mm ² |
| | 0.34 mm ² ... 0.75 mm ² |
| Connection cross section AWG | 18 ... 16 |
| Wrench size, union nut | 22 mm |
| Tightening torque, union nut | 2.5 Nm |
| Wrench size, contact carrier | 22 mm |
| Tightening torque contact carrier | 3.75 Nm |
| Tightening torque, counter nut | 3.75 Nm |

Dimensions

| | |
|---------------------|--|
| Dimensional drawing |  |
| Width | 22 mm |
| Height | 22 mm |
| Length | 42.3 mm |

Electrical properties

Q 0,75/4FL/11-11KU-ESA - Panel feed-through



1670688

<https://www.phoenixcontact.com/pc/products/1670688>

| | |
|-----------------------------|--------------------------------|
| Rated surge voltage (III/3) | 4 kV |
| Contact resistance | < 3 mΩ |
| rated voltage (II/2) | 320 V (with insulating sleeve) |
| rated voltage (III/2) | 160 V (with insulating sleeve) |
| Rated voltage (III/3) | 160 V (with insulating sleeve) |
| Nominal voltage U_N | 160 V AC |
| | 160 V DC |
| Nominal current I_N | 9 A |

Material specifications

| | |
|--|----------------------------------|
| Color | green |
| Material Housing | PA |
| Flammability rating according to UL 94 | V0 |
| Contact material | Cu alloy |
| Contact surface material | Pre-nickel plated and tin-plated |
| Contact carrier material | PA |

Cable/line

| | |
|------------------------------------|------------|
| Wire diameter including insulation | 2.5 mm |
| Position marking | 1, 2, 3, 4 |
| Wire insulation material | PVC / PE |

Mounting

| | |
|-----------------------|---|
| Mounting type | Front mounting Pg11 |
| Assembly instructions | If the conductor is reconnected, it must be cut off above the last contact point. QUICKON components may only be operated when under no load. |

Environmental and real-life conditions

Ambient conditions

| | |
|--------------------------------------|---|
| Degree of protection | IP65 |
| | IP67 |
| Ambient temperature (operation) | -25 °C ... 80 °C (Specifications of the cable manufacturer must be observed.) |
| | -25 °C ... 50 °C (when the conductor is connected. Specifications of the cable manufacturer must also be observed.) |
| Temperature when conductor connected | -5 °C ... 50 °C |

Q 0,75/4FL/11-11KU-ESA - Panel feed-through

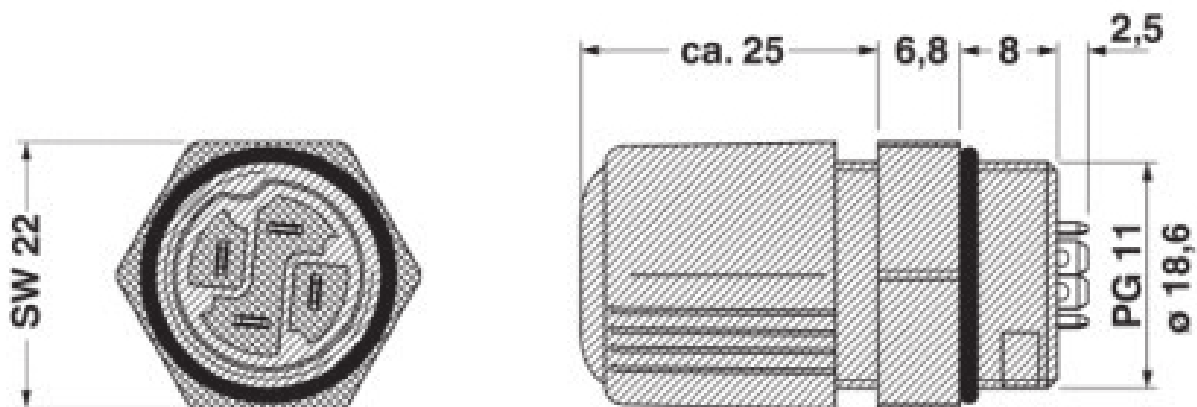
1670688

<https://www.phoenixcontact.com/pc/products/1670688>



Drawings

Dimensional drawing




Q 0,75/4FL/11-11KU-ESA - Panel feed-through





1670688

<https://www.phoenixcontact.com/pc/products/1670688>

Approvals

|  cUL Recognized Approval ID: FILE E 118976 | | | | |
|---|-----------------------|-----------------------|-------------------|----------------------|
| | Nominal Voltage U_N | Nominal Current I_N | Cross Section AWG | Cross Section mm^2 |
| | 250 V | 6 A | - | - |

|  UL Recognized Approval ID: FILE E 118976 | | | | |
|--|-----------------------|-----------------------|-------------------|----------------------|
| | Nominal Voltage U_N | Nominal Current I_N | Cross Section AWG | Cross Section mm^2 |
| | 250 V | 9 A | - | - |

|  EAC Approval ID: RU C-DE.A*30.B.01102 | |
|---|--|
|---|--|

|  EAC Approval ID: RU C-DE.BL08.B.00511 | |
|---|--|
|---|--|

| cULus Recognized | |
|-------------------------|--|
|-------------------------|--|

Q 0,75/4FL/11-11KU-ESA - Panel feed-through



1670688

<https://www.phoenixcontact.com/pc/products/1670688>

Classifications

ECLASS

| | |
|---------------|----------|
| ECLASS-9.0 | 27440602 |
| ECLASS-10.0.1 | 27440602 |
| ECLASS-11.0 | 27440602 |

ETIM

| | |
|----------|----------|
| ETIM 8.0 | EC002566 |
|----------|----------|

UNSPSC

| | |
|-------------|----------|
| UNSPSC 21.0 | 39121500 |
|-------------|----------|

Q 0,75/4FL/11-11KU-ESA - Panel feed-through



1670688

<https://www.phoenixcontact.com/pc/products/1670688>

Environmental Product Compliance

| | |
|------------|---|
| China RoHS | Environmentally friendly use period: unlimited = EFUP-e |
| | No hazardous substances above threshold values |

Q 0,75/4FL/11-11KU-ESA - Panel feed-through



1670688

<https://www.phoenixcontact.com/pc/products/1670688>

Accessories

Q-MU PG11 - Nut

1670471

<https://www.phoenixcontact.com/pc/products/1670471>

Nut (plastic) to lock the contact carrier Pg11 / 24 WAF



Q-PROT 9/11 - Filler plugs

1670235

<https://www.phoenixcontact.com/pc/products/1670235>

Closing cap for Pg9/Pg11 to close unoccupied connections



Q 0,75/4FL/11-11KU-ESA - Panel feed-through

1670688

<https://www.phoenixcontact.com/pc/products/1670688>



MICROFOX-SB - Diagonal cutter

1212489

<https://www.phoenixcontact.com/pc/products/1212489>



Electronic diagonal cutter, round head, without chamfer, with opening spring, mirror-polished and oiled, 2-component grip, cutting capacity: soft 0.2 - 2.0 mm; medium hard 1.2 mm; hard 0.5 mm diameter

PT/FS 2,8 - Insulating sleeve

1406700

<https://www.phoenixcontact.com/pc/products/1406700>



Insulating sleeve, as touch protection, slide onto the conductor before for 2.8 slip-on sleeves

Q 0,75/4FL/11-11KU-ESA - Panel feed-through

1670688

<https://www.phoenixcontact.com/pc/products/1670688>



Q SET- 9 DI/KR - Mounting material

1640362

<https://www.phoenixcontact.com/pc/products/1640362>



Seal/Collar replacement set Pg9

Phoenix Contact 2023 © - all rights reserved

<https://www.phoenixcontact.com>

PHOENIX CONTACT GmbH & Co. KG

Flachsmarktstraße 8

D-32825 Blomberg

+49 (0) 5235-3 00

info@phoenixcontact.com