

Conductor connectors - Q 1,5/3IDC/13-13KU-KU



1670248

<https://www.phoenixcontact.com/pc/products/1670248>

Please be informed that the data shown in this PDF document is generated from our Online Catalog. Please find the complete data in the user documentation. Our General Terms of Use for Downloads are valid.

Conductor connectors to connect circular conductors.



Your advantages

- Robust throughout: housing with IP65/IP67 protection for a wide range of applications

Commercial Data

| | |
|--------------------------------------|-------------------|
| Item number | 1670248 |
| Packing unit | 1 pc |
| Minimum order quantity | 1 pc |
| Product Key | BF6HCC |
| Catalog Page | Page 19 (PC-2002) |
| GTIN | 4017918146504 |
| Weight per Piece (including packing) | 54.28 g |
| Weight per Piece (excluding packing) | 34.7 g |
| Customs tariff number | 85369010 |
| Country of origin | PL |

Technical Data

Mounting

| | |
|-----------------------|---|
| Assembly instructions | If the conductor is reconnected, it must be cut off above the last contact point. QUICKON components may only be operated when under no load. |
|-----------------------|---|

Product properties

| | |
|------------------------------------|-----------------|
| Product type | Cable connector |
| Number of positions | 3 |
| Position marking | 1, 2, 3 |
| Number of connections per position | 1 |
| Locking type | without |
| Coding | no |

Insulation characteristics

| | |
|----------------------|-----|
| Overvoltage category | III |
| Degree of pollution | 3 |

Dimensions

| | |
|---------------------|---------|
| Dimensional drawing | |
| Width | 24 mm |
| Height | 24 mm |
| Length | 62.2 mm |
| Diameter | 24 mm |

External dimensions

| | |
|------------------|---------------|
| Outside diameter | 7 mm ... 9 mm |
|------------------|---------------|

Connection data

Connection technology

| | |
|-----------------------------|-------------------------|
| Connection method | QUICKON fast connection |
| Connection system, internal | IDC connection |
| Connection technology | QUICKON connection |

Conductor connection

| | |
|----------------------------------|--|
| Conductor cross section solid | 0.75 mm ² ... 1 mm ² |
| Conductor cross section flexible | 0.75 mm ² ... 1.5 mm ² |
| Conductor cross section AWG | 18 ... 16 |
| Wrench size, union nut | 24 mm |
| Tightening torque, union nut | 2.5 Nm |
| Wrench size, contact carrier | 24 mm |

Electrical properties

| | |
|----------------------------|------|
| Rated surge voltage (II/2) | 6 kV |
|----------------------------|------|

Conductor connectors - Q 1,5/3IDC/13-13KU-KU



1670248

<https://www.phoenixcontact.com/pc/products/1670248>

| | |
|-----------------------------|----------|
| Rated surge voltage (III/2) | 6 kV |
| Rated surge voltage (III/3) | 6 kV |
| Contact resistance | ≤ 5 mΩ |
| rated voltage (II/2) | 630 V |
| rated voltage (III/2) | 320 V |
| Rated voltage (III/3) | 250 V |
| Nominal voltage U_N | 500 V AC |
| | 500 V DC |
| Nominal current I_N | 17.5 A |

Material specifications

| | |
|--|--------------|
| Color | green |
| Flammability rating according to UL 94 | V0 |
| Insulating material | PA |
| Contact material | Copper alloy |
| Contact surface material | Tin-plated |
| Contact carrier material | PA 6.6 |
| Housing material | PA |

Cable / line

| | |
|---|------------------------------------|
| Structure of individual litz in acc. with VDE 0295 / smallest wire diameter | VDE 0295 class 1 to 6/min. 0.15 mm |
| External cable diameter | 7 mm ... 9 mm |
| Wire diameter including insulation | ≥ 3 mm |
| Position marking | 1, 2, 3 |
| Material wire insulation | PVC / PE |

Ambient conditions

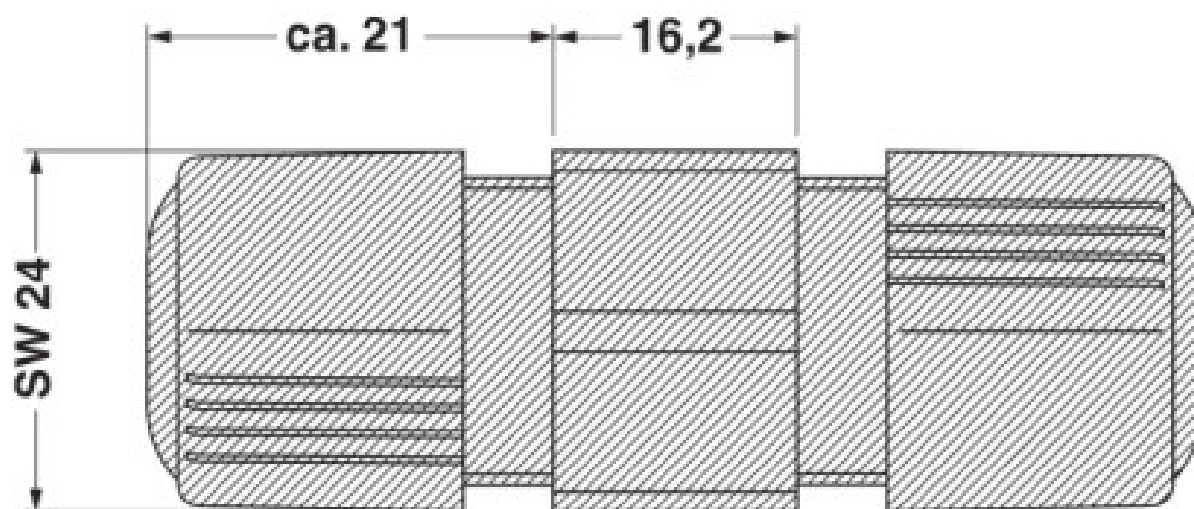
| | |
|---|---|
| Degree of protection | IP65 |
| | IP67 |
| Ambient temperature (operation) | -25 °C ... 80 °C |
| | -25 °C ... 50 °C (when the conductor is connected. Specifications of the cable manufacturer must also be observed.) |
| Temperature when conductor connected | -5 °C ... 50 °C |
| Ambient temperature (storage/transport) | -40 °C ... 80 °C |

1670248

<https://www.phoenixcontact.com/pc/products/1670248>

Drawings

Dimensional drawing



Conductor connectors - Q 1,5/3IDC/13-13KU-KU




1670248

<https://www.phoenixcontact.com/pc/products/1670248>

Approvals

| | | | | | |
|---|---|-----------------------|-------------------|-----------------------------|--|
|  | cUL Recognized Approval ID: FILE E 118976 | | | | |
| | Nominal Voltage U_N | Nominal Current I_N | Cross Section AWG | Cross Section mm^2 | |
| | 250 V | 11 A | - | - | |

| | | | | | |
|---|--|-----------------------|-------------------|-----------------------------|--|
|  | UL Recognized Approval ID: FILE E 118976 | | | | |
| | Nominal Voltage U_N | Nominal Current I_N | Cross Section AWG | Cross Section mm^2 | |
| | 250 V | 15 A | - | - | |

| | | | | | |
|---|---|--|--|--|--|
|  | EAC Approval ID: RU C-DE.A*30.B.01102 | | | | |
|---|---|--|--|--|--|

| | | | | | |
|---|---|--|--|--|--|
|  | EAC Approval ID: RU C-DE.BL08.B.00511 | | | | |
|---|---|--|--|--|--|

| | | | | | |
|---|---|--|--|--|--|
|  | EAC Approval ID: RU D-DE.HB35.B.00387 | | | | |
|---|---|--|--|--|--|

| | | | | | |
|-------------------------|--|--|--|--|--|
| cULus Recognized | | | | | |
|-------------------------|--|--|--|--|--|

Conductor connectors - Q 1,5/3IDC/13-13KU-KU



1670248

<https://www.phoenixcontact.com/pc/products/1670248>

Classifications

ECLASS

| | |
|---------------|----------|
| ECLASS-9.0 | 27440605 |
| ECLASS-10.0.1 | 27440605 |
| ECLASS-11.0 | 27440605 |

ETIM

| | |
|----------|----------|
| ETIM 8.0 | EC002560 |
|----------|----------|

UNSPSC

| | |
|-------------|----------|
| UNSPSC 21.0 | 39121400 |
|-------------|----------|

Conductor connectors - Q 1,5/3IDC/13-13KU-KU



1670248

<https://www.phoenixcontact.com/pc/products/1670248>

Environmental Product Compliance

| | |
|------------|--|
| China RoHS | Environmentally Friendly Use Period = 50 years For information on hazardous substances, refer to the manufacturer's declaration available under "Downloads" |
|------------|--|

Conductor connectors - Q 1,5/3IDC/13-13KU-KU

1670248

<https://www.phoenixcontact.com/pc/products/1670248>

Accessories

Lock nut

Lock nut - Q-SMU PG13,5 SET COD2 - 1670963

<https://www.phoenixcontact.com/pc/products/1670963>



Locking nut, can only be released with Allen wrench, coding 2

Nut

Nut - Q-SMU PG13,5 SET - 1670756

<https://www.phoenixcontact.com/pc/products/1670756>



Locking nut, can only be released with wrench, Pg13.5/ WAF 24, coding 1

Conductor connectors - Q 1,5/3IDC/13-13KU-KU



1670248

<https://www.phoenixcontact.com/pc/products/1670248>

Filler plugs

Filler plugs - Q-PROT13/16 - 1670222

<https://www.phoenixcontact.com/pc/products/1670222>



Closing caps, for Pg13/ Pg16, for closing unoccupied connections

Phoenix Contact 2023 © - all rights reserved

<https://www.phoenixcontact.com>

PHOENIX CONTACT GmbH & Co. KG

Flachsmarktstraße 8

D-32825 Blomberg

+49 (0) 5235-3 00

info@phoenixcontact.com