

DIN rail adapter - VS-PP-F-SCRJ



1658121

<https://www.phoenixcontact.com/pc/products/1658121>

Please be informed that the data shown in this PDF document is generated from our Online Catalog. Please find the complete data in the user documentation. Our General Terms of Use for Downloads are valid.



Patch panel, SC-RJ, DIN rail mounting, IP20, 1 slot, socket/socket, can be used for glass, multi-mode, PCF, and polymer fibers

Product Description

Freenet system

Commercial Data

Item number	1658121
Packing unit	1 pc
Minimum order quantity	1 pc
Product Key	ABNAHB
Catalog Page	Page 375 (C-2-2019)
GTIN	4046356149167
Weight per Piece (including packing)	48.3 g
Weight per Piece (excluding packing)	48.3 g
Customs tariff number	85367000
Country of origin	CH

DIN rail adapter - VS-PP-F-SCRJ

1658121

<https://www.phoenixcontact.com/pc/products/1658121>

Technical Data

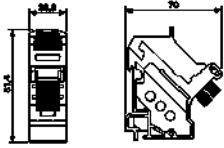
Product properties

Type	SCRJ
Product type	Patch panel
Number of positions	2
Connection profile	SCRJ in accordance with DIN EN 50377-6-1
Number of slots	1
Housing type	DIN rail adapter

Electrical properties

Transmission medium	FO
---------------------	----

Dimensions

Dimensional drawing	
Width	26.8 mm
Height	71 mm
Length	81.4 mm

Mechanical characteristics

Ferrule diameter	2.50 mm
------------------	---------

Material specifications

Color	gray
Flammability rating according to UL 94	V0
Ferrule material	Zirconia ceramics
Material, protective cover	PC
Housing material	PC-GF

Cable / line

External cable diameter	4.5 mm ... 9 mm
-------------------------	-----------------

FO cable

Fiber type	GOF, PCF, POF
------------	---------------

Mechanical properties

Mechanical data

Insertion/withdrawal cycles	≥ 500
-----------------------------	-------

Environmental and real-life conditions

DIN rail adapter - VS-PP-F-SCRJ



1658121

<https://www.phoenixcontact.com/pc/products/1658121>

Ambient conditions

Degree of protection	IP20
Degree of protection	IP20
Ambient temperature (operation)	-10 °C ... 60 °C
Ambient temperature (storage/transport)	-40 °C ... 70 °C

Mounting

Mounting type	DIN rail mounting
---------------	-------------------

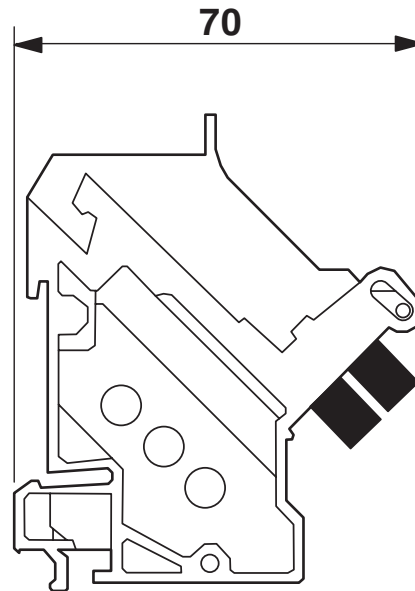
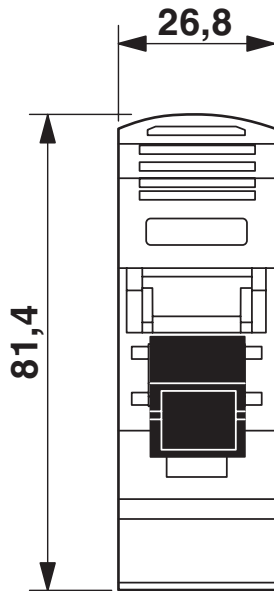
DIN rail adapter - VS-PP-F-SCRJ

1658121

<https://www.phoenixcontact.com/pc/products/1658121>

Drawings

Dimensional drawing



SCRJ patch panel

DIN rail adapter - VS-PP-F-SCRJ



1658121

<https://www.phoenixcontact.com/pc/products/1658121>

Approvals



EAC

Approval ID: B.01687

DIN rail adapter - VS-PP-F-SCRJ



1658121

<https://www.phoenixcontact.com/pc/products/1658121>

Classifications

ECLASS

ECLASS-10.0.1	19170112
ECLASS-9.0	19170112
ECLASS-11.0	19170112

ETIM

ETIM 8.0	EC002697
----------	----------

UNSPSC

UNSPSC 21.0	43223300
-------------	----------

DIN rail adapter - VS-PP-F-SCRJ



1658121

<https://www.phoenixcontact.com/pc/products/1658121>

Environmental Product Compliance

China RoHS	Environmentally friendly use period: unlimited = EFUP-e
	No hazardous substances above threshold values

DIN rail adapter - VS-PP-F-SCRJ

1658121

<https://www.phoenixcontact.com/pc/products/1658121>

Accessories

FO patch cable

FO patch cable - FOC-SC:A-SJ:A-GZ01/... - 1405700

<https://www.phoenixcontact.com/pc/products/1405700>



Assembled FO cable, zip cord cable, multi-mode fiberglass 50/125 μm , OM2, plug: SC duplex/SC-RJ, degree of protection: IP20, for installation in cable ducts or control cabinets

FO patch cable

FO patch cable - FOC-SJ:A-SJ:A-GZ02/... - 1405704

<https://www.phoenixcontact.com/pc/products/1405704>



Assembled FO cable, zip cord cable, multi-mode fiberglass 50/125 μm , OM3, plug: SC-RJ/SC-RJ, degree of protection: IP20, for installation in cable ducts or control cabinets

DIN rail adapter - VS-PP-F-SCRJ

1658121

<https://www.phoenixcontact.com/pc/products/1658121>

FO patch cable

FO patch cable - FOC-SJ:A-SJ:A-GZ03/... - 1405705

<https://www.phoenixcontact.com/pc/products/1405705>



Assembled FO cable, zip cord cable, multi-mode fiberglass 50/125 μm , OM4, plug: SC-RJ/SC-RJ, degree of protection: IP20, for installation in cable ducts or control cabinets

FO patch cable

FO patch cable - FOC-LC:A-SJ:A-GZ01/... - 1405694

<https://www.phoenixcontact.com/pc/products/1405694>



Assembled FO cable, zip cord cable, multi-mode fiberglass 50/125 μm , OM2, plug: LC/SC-RJ, degree of protection: IP20, for installation in cable ducts or control cabinets

DIN rail adapter - VS-PP-F-SCRJ

1658121

<https://www.phoenixcontact.com/pc/products/1658121>

FO patch cable

FO patch cable - FOC-LC:A-SJ:A-GZ02/... - 1405695

<https://www.phoenixcontact.com/pc/products/1405695>



Assembled FO cable, zip cord cable, multi-mode fiberglass 50/125 μm , OM3, plug: LC/SC-RJ, degree of protection: IP20, for installation in cable ducts or control cabinets

FO patch cable

FO patch cable - FOC-LC:A-SJ:A-GZ03/... - 1405696

<https://www.phoenixcontact.com/pc/products/1405696>



Assembled FO cable, zip cord cable, multi-mode fiberglass 50/125 μm , OM4, plug: LC/SC-RJ, degree of protection: IP20, for installation in cable ducts or control cabinets

DIN rail adapter - VS-PP-F-SCRJ

1658121

<https://www.phoenixcontact.com/pc/products/1658121>

FO patch cable

FO patch cable - FOC-ST:A-SJ:A-GZ01/... - 1405710

<https://www.phoenixcontact.com/pc/products/1405710>



Assembled FO cable, zip cord cable, multi-mode fiberglass 50/125 μm , OM2, plug: B-FOC (ST)/SC-RJ, degree of protection: IP20, for installation in cable ducts or control cabinets

FO patch cable

FO patch cable - FOC-SC:A-SJ:A-GZ02/... - 1405701

<https://www.phoenixcontact.com/pc/products/1405701>



Assembled FO cable, zip cord cable, multi-mode fiberglass 50/125 μm , OM3, plug: SC/SC-RJ, degree of protection: IP20, for installation in cable ducts or control cabinets

DIN rail adapter - VS-PP-F-SCRJ

1658121

<https://www.phoenixcontact.com/pc/products/1658121>

DIN rail adapter

DIN rail adapter - FL DIN RA - 2891053

<https://www.phoenixcontact.com/pc/products/2891053>

The FL DIN RA is installed in a standard, 19-inch rack (EIA-310-D, IEC 60297-3-100) to allow DIN rail mounted equipment to be rack mounted.



FO connectors

FO connectors - VS-SCRJ-POF-FA-IP20 - 1654879

<https://www.phoenixcontact.com/pc/products/1654879>

SC-RJ fiber optic connector, IP20, duplex, with fast connection technology, for polymer fiber 980/1000 μm , for individual wire diameter 2.2 mm



DIN rail adapter - VS-PP-F-SCRJ

1658121

<https://www.phoenixcontact.com/pc/products/1658121>



FO accessories

FO accessories - FOC-TOOL-FERRULECLEANER-2.50 - 1407029

<https://www.phoenixcontact.com/pc/products/1407029>

2.50 mm ferrule cleaner, for ST, SC, FC, E2000 (also APC), approx. 500 cleaning cycles



Phoenix Contact 2023 © - all rights reserved

<https://www.phoenixcontact.com>

PHOENIX CONTACT GmbH & Co. KG

Flachsmarktstraße 8

D-32825 Blomberg

+49 (0) 5235-3 00

info@phoenixcontact.com