


Mounting frame - VS-SI-EB-EMV-2 - 1656495

Please be informed that the data shown in this PDF Document is generated from our Online Catalog. Please find the complete data in the user's documentation. Our General Terms of Use for Downloads are valid (<http://phoenixcontact.com/download>)

Mounting frame, for two front plates or sockets, metal frame, matt nickel-plated, electrically conductive, transparent cover



Key Commercial Data

Packing unit	1 pc
GTIN	 4 046356 029865
GTIN	4046356029865
Weight per Piece (excluding packing)	400.000 g
Custom tariff number	85389099
Country of origin	Germany

Technical data

Dimensions

Height	35 mm
Width	130 mm
Length	120 mm
Length of the assembly cutout	91 mm
Width of the assembly cutout	117 mm

Ambient conditions

Degree of protection of housing (IP)	IP65
Ambient temperature (operation)	-10 °C ... 60 °C

General

Note	With lockable pressure lock
------	-----------------------------

Mounting frame - VS-SI-EB-EMV-2 - 1656495

Technical data

General

Type	for 2 front plates
Color	transparent
Housing material	Zinc alloy
Housing surface material	Nickel-plated
Flammability rating according to UL 94	V0
Assembly instructions	Suitable for panel thicknesses 1 mm ... 5 mm

Standards and Regulations

Flammability rating according to UL 94	V0
--	----

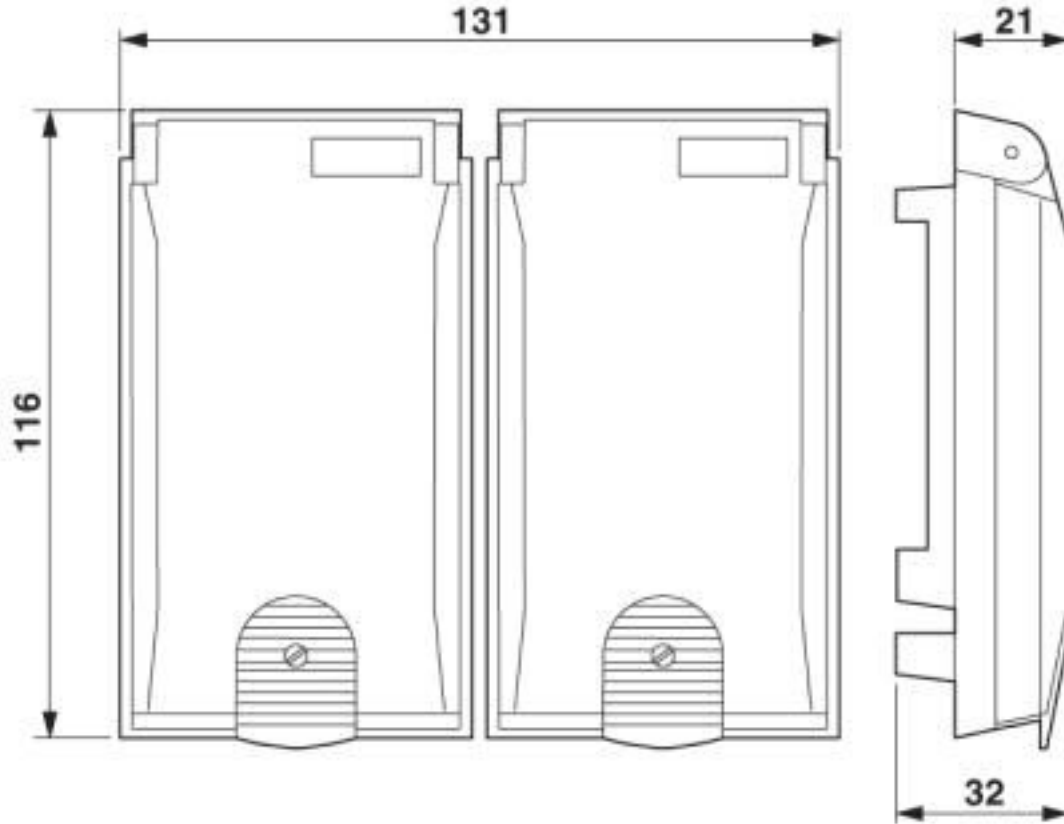
Environmental Product Compliance

REACH SVHC	Lead 7439-92-1
China RoHS	Environmentally Friendly Use Period = 50 years
	For details about hazardous substances go to tab "Downloads", Category "Manufacturer's declaration"

Drawings

Mounting frame - VS-SI-EB-EMV-2 - 1656495

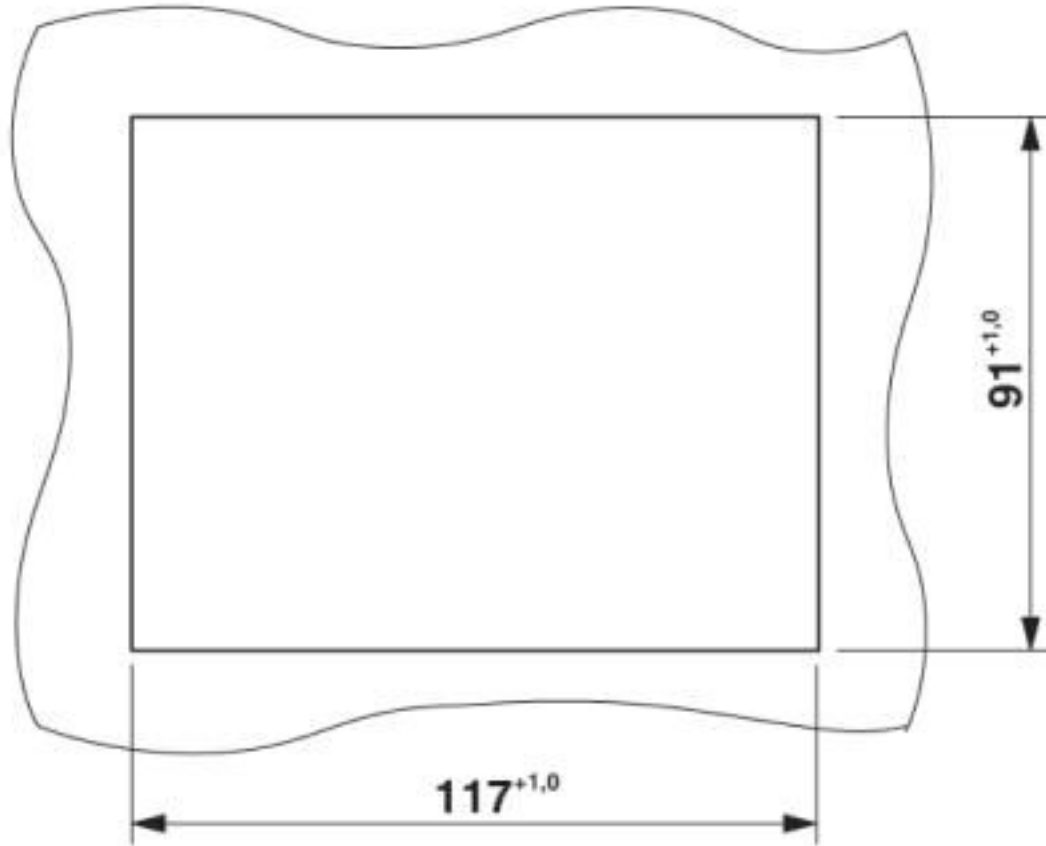
Dimensional drawing



Dimensional drawing

Mounting frame - VS-SI-EB-EMV-2 - 1656495

Dimensional drawing



Mounting cutout

Classifications

eCl@ss

eCl@ss 10.0.1	27182806
eCl@ss 4.0	27141200
eCl@ss 4.1	27141200
eCl@ss 5.0	27144000
eCl@ss 5.1	27144000
eCl@ss 6.0	27144000
eCl@ss 7.0	27144001
eCl@ss 8.0	27144001
eCl@ss 9.0	27189217

Mounting frame - VS-SI-EB-EMV-2 - 1656495

Classifications

ETIM

ETIM 2.0	EC000007
ETIM 3.0	EC000007
ETIM 4.0	EC000007
ETIM 5.0	EC000007
ETIM 6.0	EC000456
ETIM 7.0	EC000456

UNSPSC

UNSPSC 6.01	31261501
UNSPSC 7.0901	31261501
UNSPSC 11	31261501
UNSPSC 12.01	31261501
UNSPSC 13.2	31261501
UNSPSC 18.0	39121302
UNSPSC 19.0	39121302
UNSPSC 20.0	39121302
UNSPSC 21.0	39121302

Accessories

Accessories

Data front plate

Front plate - VS-SI-FP-2RJ-MOD - 1656631



Front plate, plastic with shroud, for 2x RJ with modular system (Keystone)

Front plate - VS-SI-FP-2DSUB9 - 1656563



Data front plate, plastic, for 2 x 9-pos. D-SUB, item 1656961 may be required for mounting D-SUB inserts

Mounting frame - VS-SI-EB-EMV-2 - 1656495

Accessories

Front plate - VS-SI-FP-DSUB9-DSUB15 - 1656576



Data front plate, plastic, for 1 x 15-pos. D-SUB and 1 x 15-pos. D-SUB, item 1656961 may be required for mounting D-SUB inserts

Front plate - VS-SI-FP-DSUB9-DSUB25 - 1656589



Data front plate, plastic, for 1 x 9-pos. D-SUB and 1 x 25-pos. D-SUB, item 1656961 may be required for mounting D-SUB inserts

Front plate - VS-SI-FP-2DSUB15 - 1656592



Data front plate, plastic, for 2 x 15-pos. D-SUB, item 1656961 may be required for mounting D-SUB inserts

Front plate - VS-SI-FP-DSUB15-DSUB25 - 1656602



Data front plate, plastic, for 1 x 15-pos. D-SUB and 1 x 25-pos. D-SUB, item 1656961 may be required for mounting D-SUB inserts

Front plate - VS-SI-FP-2DSUB25 - 1656615



Data front plate, plastic, for 2x D-SUB 25, item 1656961 may be required for mounting D-SUB inserts

Marking material

Mounting frame - VS-SI-EB-EMV-2 - 1656495

Accessories

Marker labels - VS-SI-BZ - 1656660



Marker label, plastic, plate with 20 labels

Socket

Socket insert - VS-SI-SD-DE - 1656505



Ground contact socket, plastic, for Germany

Socket insert - VS-SI-SD-DE-G - 1656518



Socket insert, degree of protection: IP20, material: PA, connection method: Screw connection, Germany

Socket insert - VS-SI-SD-USA - 1656521



Ground contact socket, plastic, for USA

Socket insert - VS-SI-SD-FR - 1656534



Ground contact socket, plastic, for France

Mounting frame - VS-SI-EB-EMV-2 - 1656495

Accessories

Socket insert - VS-SI-SD-GB - 1656547



Ground contact socket, plastic, for Great Britain

Socket insert - VS-SI-SD-IT - 1656550



Socket insert, degree of protection: IP20, material: PA, connection method: Screw connection, color: light gray, Italy
