

VS-25-BU-DSUB-HD-CD-B - D-SUB contact support



1655247

<https://www.phoenixcontact.com/de/produkte/1655247>

Please be informed that the data shown in this PDF document is generated from our Online Catalog. Please find the complete data in the user documentation. Our General Terms of Use for Downloads are valid.

D-SUB contact carrier, shell size 3, for 44 signal contacts, type of contact socket, for crimp contacts, straight, fixing with a 3 mm hole, for panel mounting frame and sleeve housing VS-25-..



Your advantages

- Compatible with IP67 sleeve housing and panel-mount frame
- Easy assembly

Commercial Data

Item number	1655247
Packing unit	10 pc
Minimum order quantity	10 pc
Sales Key	D1 - Steckverbinder
Product Key	ABNCAB
Catalog Page	Page 212 (C-2-2013)
GTIN	4046356029186
Weight per Piece (including packing)	14,24 g
Weight per Piece (excluding packing)	8,11 g
Customs tariff number	85366990
Country of origin	DE

1655247

<https://www.phoenixcontact.com/de/produkte/1655247>

Technical Data

Product properties

Type	D-SUB
Product type	Female insert
Number of positions	44
Connection profile	D-SUB
Application	high-position
Number of slots	1
Type	Socket
Shielded	yes

Insulation characteristics

Overvoltage category	III
Degree of pollution	2

Electrical properties

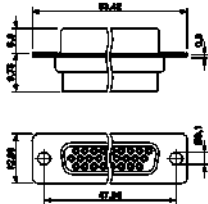
Rated voltage (III/3)	60 V
Rated surge voltage	1 kV
Rated current	3 A (at 20 °C)
Test voltage	1000 V
Transmission medium	Copper

Connection data

Connection technology

Connection method	Crimp connection
-------------------	------------------

Dimensions

Dimensional drawing	
Width	16 mm
Height	12.93 mm
Length	53.42 mm

Material specifications

Flammability rating according to UL 94	V0
Housing surface material	metal-plated
Contact surface material	Gold
Contact carrier material	Glass-fiber reinforced thermoplastics, UL 94 V0

VS-25-BU-DSUB-HD-CD-B - D-SUB contact support



1655247

<https://www.phoenixcontact.com/de/produkte/1655247>

Housing material	Metal
------------------	-------

Mechanical properties

Mechanical data

Insertion/withdrawal cycles	≥ 500
-----------------------------	-------

Environmental and real-life conditions

Ambient conditions

Degree of protection	IP20
Ambient temperature (operation)	-55 °C ... 115 °C

Mounting

Mounting type	Screw mounting
Connection method	Crimp connection

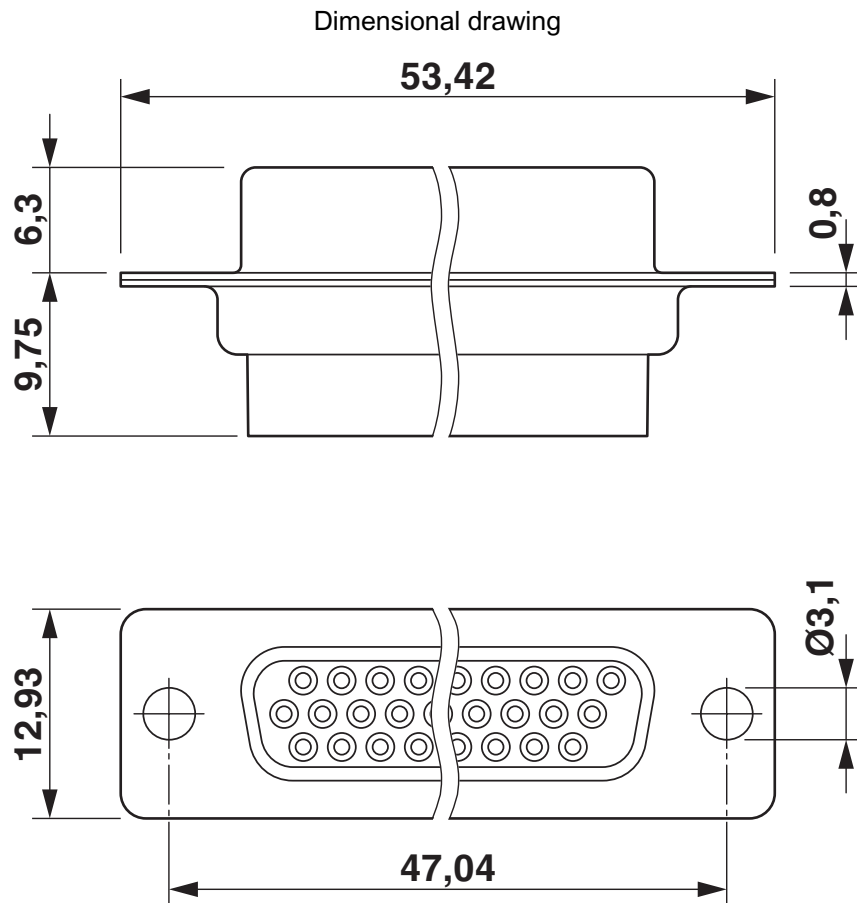
VS-25-BU-DSUB-HD-CD-B - D-SUB contact support



1655247

<https://www.phoenixcontact.com/de/produkte/1655247>

Drawings



D-SUB contact carrier

VS-25-BU-DSUB-HD-CD-B - D-SUB contact support



1655247

<https://www.phoenixcontact.com/de/produkte/1655247>

Approvals

🔗 To download certificates, visit the product detail page: <https://www.phoenixcontact.com/de/produkte/1655247>



EAC

Approval ID: B.01687

1655247

<https://www.phoenixcontact.com/de/produkte/1655247>

Classifications

ECLASS

ECLASS-11.0	27440302
ECLASS-13.0	27440302
ECLASS-12.0	27440302

ETIM

ETIM 8.0	EC001132
----------	----------

UNSPSC

UNSPSC 21.0	39121400
-------------	----------

VS-25-BU-DSUB-HD-CD-B - D-SUB contact support



1655247

<https://www.phoenixcontact.com/de/produkte/1655247>

Environmental Product Compliance

China RoHS	Environmentally friendly use period: unlimited = EFUP-e
	No hazardous substances above threshold values

VS-25-BU-DSUB-HD-CD-B - D-SUB contact support



1655247

<https://www.phoenixcontact.com/de/produkte/1655247>

Accessories

CUC-DSC-J1BAU-S/DSC22 - D-SUB crimp contact

1418790

<https://www.phoenixcontact.com/de/produkte/1418790>



D-SUB crimp contact, connection method: Crimp connection, connection cross section: AWG 28- 22, High Density

CUC-DST-GPME-S/DSSC25 - D-SUB sleeve housings

1419719

<https://www.phoenixcontact.com/de/produkte/1419719>



D-SUB sleeve housings, degree of protection: IP20, material: ABS, metal-plated, cable outlet: straight, housing size: 3, color: Bare metallic

VS-25-BU-DSUB-HD-CD-B - D-SUB contact support



1655247

<https://www.phoenixcontact.com/de/produkte/1655247>

CUC-DST-GPME-A/DSSC25 - D-SUB sleeve housings

1419721

<https://www.phoenixcontact.com/de/produkte/1419721>



D-SUB sleeve housings, degree of protection: IP20, material: ABS, metal-plated, cable outlet: angled, housing size: 3, color: Bare metallic

CUC-DST-GZNI-S/DSSC25 - D-SUB sleeve housings

1419727

<https://www.phoenixcontact.com/de/produkte/1419727>



D-SUB sleeve housings, degree of protection: IP20, material: Zinc die-cast, cable outlet: straight, housing size: 3, color: Bare metallic

VS-25-BU-DSUB-HD-CD-B - D-SUB contact support



1655247

<https://www.phoenixcontact.com/de/produkte/1655247>

CUC-DST-GZNI-A/DSSC25 - D-SUB sleeve housings

1419728

<https://www.phoenixcontact.com/de/produkte/1419728>

D-SUB sleeve housings, degree of protection: IP20, material: Zinc die-cast, cable outlet: angled, housing size: 3, color: Bare metallic



VS-25-A - Panel mounting frames

1689750

<https://www.phoenixcontact.com/de/produkte/1689750>

D-SUB panel mounting frame, shell size 3, IP67 degree of protection



VS-25-BU-DSUB-HD-CD-B - D-SUB contact support

1655247

<https://www.phoenixcontact.com/de/produkte/1655247>



VS-25-T-2M20 - D-SUB sleeve housings

1689792

<https://www.phoenixcontact.com/de/produkte/1689792>

D-SUB sleeve housing, shell size 3, IP67 degree of protection



CUC-SCHRAUBE-5,5:360 - Screw

1421711

<https://www.phoenixcontact.com/de/produkte/1421711>

Screw, design: Hexagonal, color: Bare metallic



VS-25-BU-DSUB-HD-CD-B - D-SUB contact support

1655247

<https://www.phoenixcontact.com/de/produkte/1655247>



VS-25-ST-DSUB-HD-CD-B - D-SUB contact support

1655250

<https://www.phoenixcontact.com/de/produkte/1655250>

D-SUB contact carrier, shell size 3, for 44 signal contacts, type of contact pin, for crimp contacts, straight, fixing with a 3 mm hole, for panel mounting frame and sleeve housing VS-25-...



Phoenix Contact 2023 © - all rights reserved

<https://www.phoenixcontact.com>

PHOENIX CONTACT Deutschland GmbH

Flachsmarktstraße 8

D-32825 Blomberg

+49 52 35/3-1 20 00

info@phoenixcontact.de