

## D-SUB contact insert - VS-15-ST-DSUB-LH-B - 1654808

Please be informed that the data shown in this PDF Document is generated from our Online Catalog. Please find the complete data in the user's documentation. Our General Terms of Use for Downloads are valid (<http://phoenixcontact.com/download>)



D-SUB contact insert, shell size 2, with 15 signal contacts, type of contact pin, for PCB assembly, angled, fixing with a 2.5 mm hole and solder metal plate, for panel mounting frame VS-15-...



### Key Commercial Data

Packing unit	1 pc
Minimum order quantity	10 pc
Weight per Piece (excluding packing)	10.46 g
Custom tariff number	85369010
Country of origin	Germany

### Technical data

#### Mechanical characteristics

Number of positions	15
Connection profile	D-SUB 15
Insertion/withdrawal cycles	≥ 200
Connection method	Solder connection
Insertion force per signal contact	≤ 3.40 N
Mounting type	Hole and solder metal plate

#### Ambient conditions

Ambient temperature (operation)	-55 °C ... 125 °C
---------------------------------	-------------------

#### Material data

Flammability rating according to UL 94	V0
Housing material	Steel
Housing surface material	tin-plated
Contact carrier material	PBT-GF
Contact material	Copper alloy

# D-SUB contact insert - VS-15-ST-DSUB-LH-B - 1654808

## Technical data

### Material data

Contact surface material	Gold over nickel
--------------------------	------------------

### Electrical characteristics

Number of positions	15
Rated current	5 A
Overvoltage category	III
Degree of pollution	2

### Standards and Regulations

Flammability rating according to UL 94	V0
--	----

## Classifications

### eCl@ss

eCl@ss 4.0	27140816
eCl@ss 4.1	27260701
eCl@ss 5.0	27260701
eCl@ss 5.1	27260701
eCl@ss 6.0	27260705
eCl@ss 7.0	27440309
eCl@ss 8.0	27440302
eCl@ss 9.0	27440205

### ETIM

ETIM 2.0	EC000438
ETIM 3.0	EC000438
ETIM 4.0	EC000438
ETIM 5.0	EC001132

### UNSPSC

UNSPSC 6.01	30211923
UNSPSC 7.0901	39121522
UNSPSC 11	39121522
UNSPSC 12.01	39121522
UNSPSC 13.2	39121522

## Approvals

### Approvals

# D-SUB contact insert - VS-15-ST-DSUB-LH-B - 1654808

## Approvals

Approvals

EAC / UL Recognized / EAC

---

Ex Approvals

---

Approvals submitted

---

## Approval details

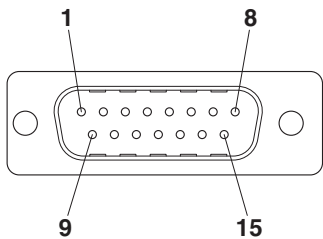
EAC

UL Recognized 

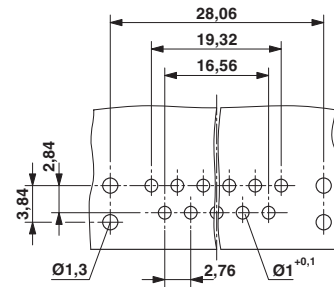
EAC

## Drawings

Schematic diagram



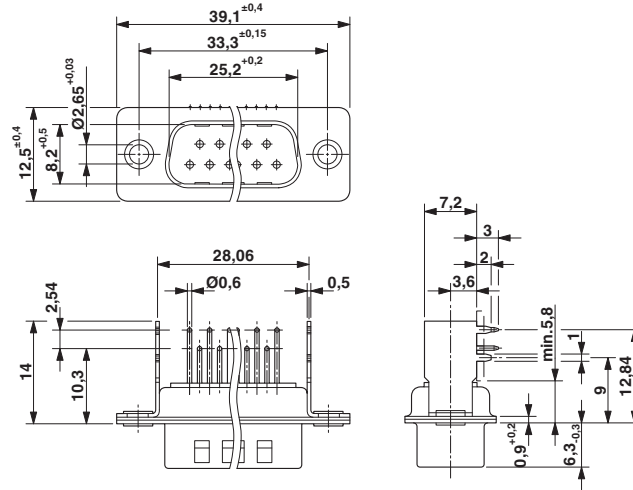
Drilling diagram



Drilling diagram

# D-SUB contact insert - VS-15-ST-DSUB-LH-B - 1654808

Dimensional drawing



D-SUB contact insert

Phoenix Contact 2016 © - all rights reserved  
<http://www.phoenixcontact.com>