

# Contact insert - HC-B 6-I-CT-M



1648157

<https://www.phoenixcontact.com/pc/products/1648157>

Please be informed that the data shown in this PDF document is generated from our Online Catalog. Please find the complete data in the user documentation. Our General Terms of Use for Downloads are valid.



Contact insert, number of positions: 6+PE, size: B6, number of connections per position: 1, Pin, Crimp connection, 500 V, 16 A, 0.5 mm<sup>2</sup> ... 4 mm<sup>2</sup>

## Your advantages

- For fast coding with plastic profile<br/>

## Commercial Data

Item number	1648157
Packing unit	1 pc
Minimum order quantity	1 pc
Product Key	BF7ABC
Catalog Page	Page 541 (C-2-2019)
GTIN	4046356092272
Weight per Piece (including packing)	37.5 g
Weight per Piece (excluding packing)	37.5 g
Customs tariff number	85366990
Country of origin	CN

# Contact insert - HC-B 6-I-CT-M



1648157

<https://www.phoenixcontact.com/pc/products/1648157>

## Technical Data

### Notes

General	For HEAVYCON ADVANCE and HEAVYCON housing of B6 type, crimp contacts CK 2,5-ED (crimp contacts not included in the scope of supply).
General	Connectors may be operated only when there is no load/voltage.

### Mounting

Assembly instructions	To ensure correct use, installation in housing with IP54 protection or better is required  Remove the crimp contact using a screwdriver. The opening for the screwdriver is next to the opening where the conductor is inserted.
-----------------------	--

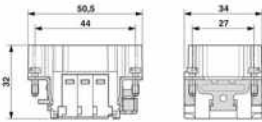
### Product properties

Type	B6
Product type	Contact insert with a fixed no. of positions
Number of positions	6
Connection profile	6+PE
Number of connections per position	1
Contact type	turned
Series	HC-B

### Insulation characteristics

Overvoltage category	III
Degree of pollution	3

### Dimensions

Dimensional drawing	
Width	34 mm
Height	32 mm
Length	50.5 mm
Drill hole distance, horizontal	44 mm

### Mechanical characteristics

Contact diameter	2.5 mm
------------------	--------

### Connection data

Connection technology	
Connection technology	Crimp connection

# Contact insert - HC-B 6-I-CT-M



1648157

<https://www.phoenixcontact.com/pc/products/1648157>

Number of connections per position	1
Connection in acc. with standard	IEC / EN

## Conductor connection

Conductor cross section	0.5 mm <sup>2</sup> ... 4 mm <sup>2</sup>
Connection cross section AWG	20 ... 12
Tightening torque	0.8 Nm ... 1.2 Nm (PE connection) 0.5 Nm ... 0.8 Nm (Mounting screws for mounting in the HEAVYCON housing)
Stripping length of the individual wire	7.5 mm

## Electrical properties

Rated voltage (III/3)	500 V
Rated surge voltage	6 kV
Rated current	16 A
SCCR	5 kA (UL 2237)

## Mechanical properties

### Mechanical data

Insertion/withdrawal cycles	≥ 500
-----------------------------	-------

## Material specifications

Color	light grey
Flammability rating according to UL 94	V0
Contact material	Copper alloy
Contact surface material	Ag (alternatively Au)
Contact carrier material	PC
Standards/regulations	PC: Fire protection in rail vehicles - requirement sets R22, R23, and R24 acc. to DIN EN 45545-2 (Risk level HL1 - HL3)

## Environmental and real-life conditions

### Ambient conditions

Degree of protection	IP20
Ambient temperature (operation)	-40 °C ... 125 °C (including heating up of contacts)

## Standards and regulations

Constructional and testing regulations	DIN EN 61984
	DIN EN 60664
	IEC 60352
Tests	DIN EN 61984
	DIN EN 60664
	IEC 60352

## Testing

# Contact insert - HC-B 6-I-CT-M



1648157

<https://www.phoenixcontact.com/pc/products/1648157>

Standards/regulations

PC: Fire protection in rail vehicles - requirement sets R22, R23, and R24 acc. to DIN EN 45545-2 (Risk level HL1 - HL3)

# Contact insert - HC-B 6-I-CT-M

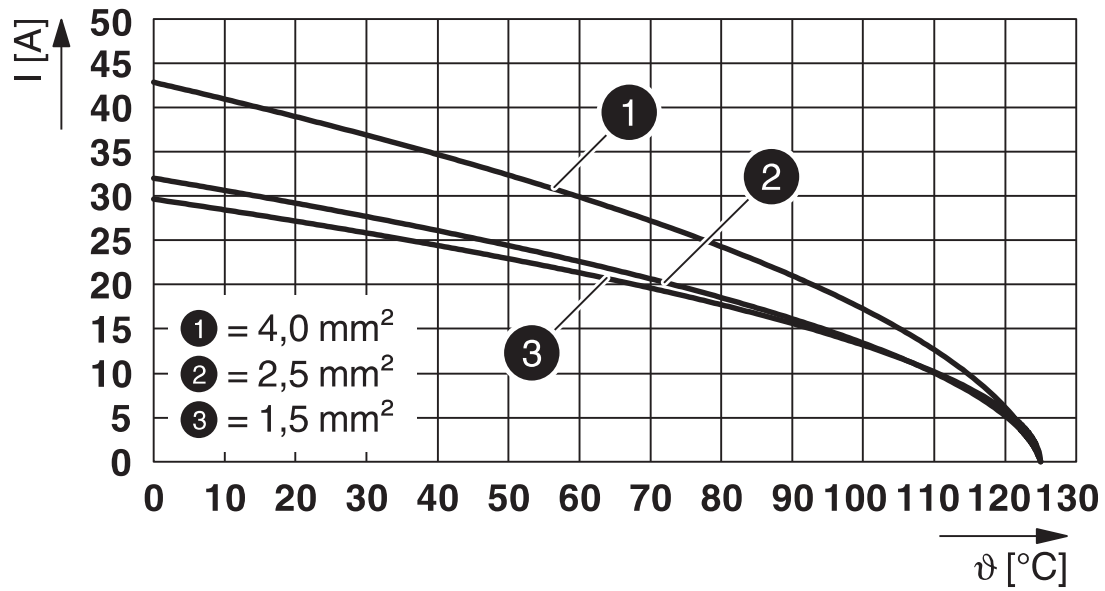


1648157

<https://www.phoenixcontact.com/pc/products/1648157>

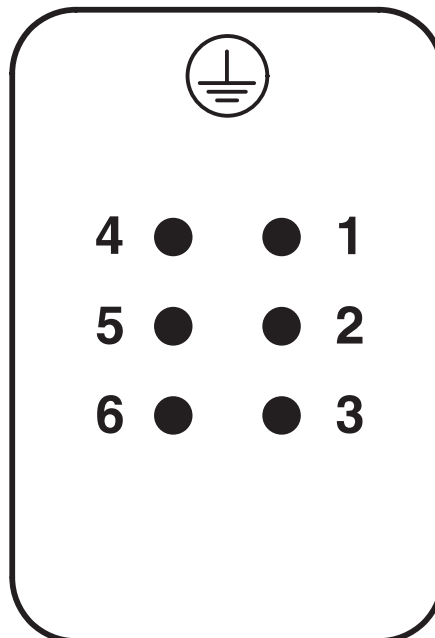
## Drawings

Diagram



Derating diagram

Schematic diagram



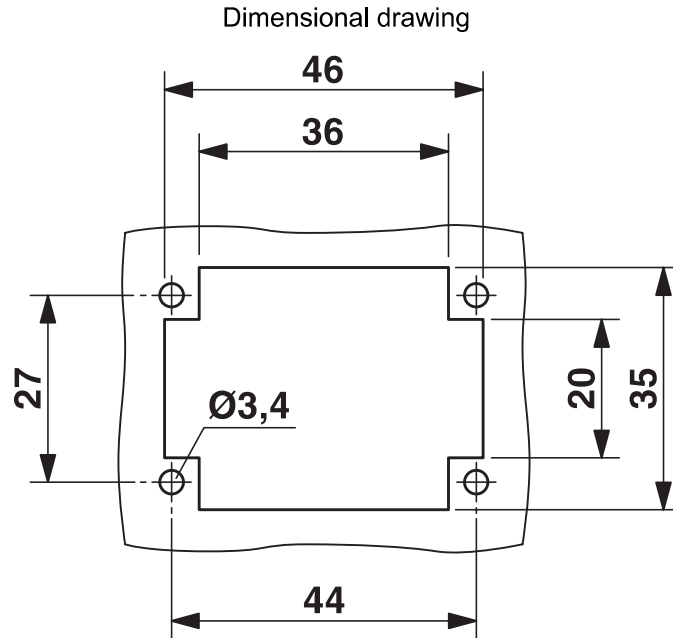
Connector pin assignment, connection side

# Contact insert - HC-B 6-I-CT-M



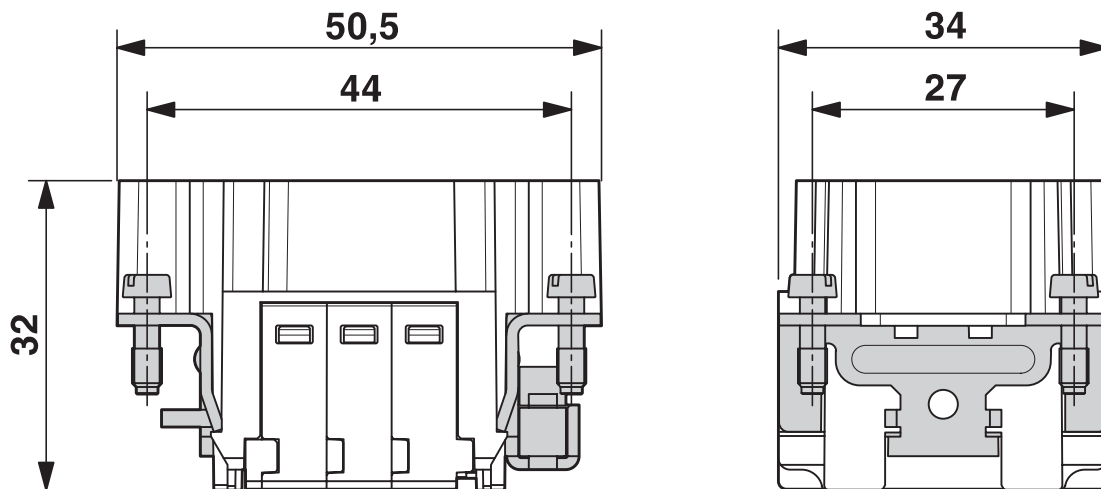
1648157

<https://www.phoenixcontact.com/pc/products/1648157>



Mounting cutout when used without housing

Dimensional drawing



Male insert

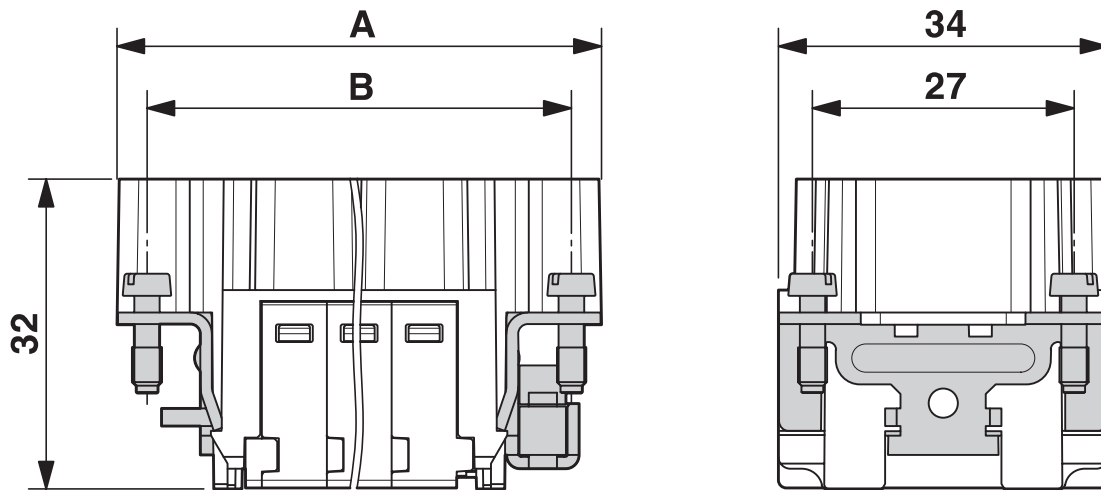
# Contact insert - HC-B 6-I-CT-M

1648157

<https://www.phoenixcontact.com/pc/products/1648157>



Dimensional drawing



# Contact insert - HC-B 6-I-CT-M



1648157

<https://www.phoenixcontact.com/pc/products/1648157>

## Approvals

### DNV

Approval ID: TAE000037S



### CSA

Approval ID: 013631\_6233\_01

	Nominal Voltage $U_N$	Nominal Current $I_N$	Cross Section AWG	Cross Section $\text{mm}^2$
	600 V	20 A	20 - 12	-



### EAC

Approval ID: RU C-DE, BL08, B, 00511



### cULus Recognized

Approval ID: E468743

	Nominal Voltage $U_N$	Nominal Current $I_N$	Cross Section AWG	Cross Section $\text{mm}^2$
	600 V	13 A	-	-



### cULus Recognized

Approval ID: E468743

	Nominal Voltage $U_N$	Nominal Current $I_N$	Cross Section AWG	Cross Section $\text{mm}^2$
	600 V	14 A	-	-

# Contact insert - HC-B 6-I-CT-M



1648157

<https://www.phoenixcontact.com/pc/products/1648157>

## Classifications

### ECLASS

ECLASS-9.0	27440205
ECLASS-10.0.1	27440205
ECLASS-11.0	27440205

### ETIM

ETIM 8.0	EC000438
----------	----------

### UNSPSC

UNSPSC 21.0	39121500
-------------	----------

# Contact insert - HC-B 6-I-CT-M

1648157

<https://www.phoenixcontact.com/pc/products/1648157>



## Environmental Product Compliance

China RoHS

Environmentally friendly use period: unlimited = EFUP-e

No hazardous substances above threshold values