

Corrugated tube screw connection - HC-WRV-M40 - 1644850


Please be informed that the data shown in this PDF Document is generated from our Online Catalog. Please find the complete data in the user's documentation. Our General Terms of Use for Downloads are valid (<http://phoenixcontact.com/download>)



Protective hose screw connection, for protective hose, for leading individual cables and wires into the housing of HEAVYCON industrial connectors, IP65, M40



Key Commercial Data

Packing unit	1 pc
Minimum order quantity	10 pc
GTIN	 4 017918 911164
GTIN	4017918911164
Weight per Piece (excluding packing)	29.490 g
Custom tariff number	39174000
Country of origin	Germany

Technical data

Ambient conditions

Degree of protection	IP65
	IP65
Ambient temperature (operation)	-40 °C ... 110 °C

General

Material	PA
Cable gland material	PA
Flammability rating according to UL 94	HB

Standards and Regulations

Flammability rating according to UL 94	HB
--	----

Corrugated tube screw connection - HC-WRV-M40 - 1644850

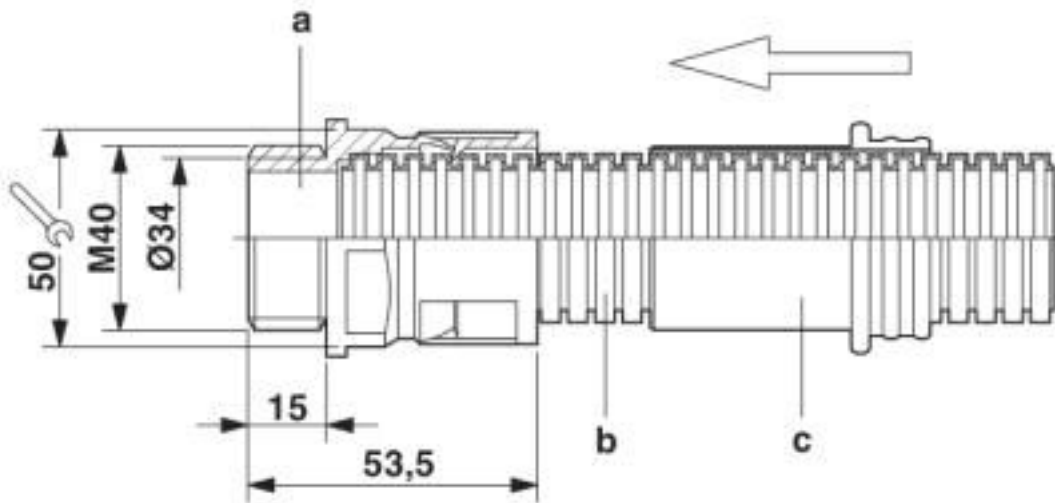
Technical data

Environmental Product Compliance

China RoHS	Environmentally friendly use period: unlimited = EFUP-e
	No hazardous substances above threshold values

Drawings

Dimensional drawing



Assembly instructions for Pg 16 corrugated pipe

a = Corrugated screw connection

b = Corrugated pipe

c = N/C contact

Assembly instructions:

Cut the corrugated pipe in the groove to retain a round shape for insertion. The darker outer seal (not shown in the mounting diagram) is pulled inside out over the corrugated tube screw connection. The corrugated pipe is then inserted as far as possible into the corrugated tube screw connection until it audibly clicks into place. To open the screw connection, the yellow corrugated pipe N/C contact is firmly inserted between the locking clip and corrugated pipe, which is then removed.

Classifications

eCl@ss

eCl@ss 4.0	27141209
eCl@ss 4.1	27141209
eCl@ss 5.0	27149109
eCl@ss 5.1	27149100
eCl@ss 6.0	27149100
eCl@ss 7.0	27439205
eCl@ss 8.0	27439205

Corrugated tube screw connection - HC-WRV-M40 - 1644850

Classifications

eCl@ss

eCl@ss 9.0	27440290
------------	----------

ETIM

ETIM 2.0	EC000441
ETIM 3.0	EC000441
ETIM 4.0	EC000441
ETIM 5.0	EC001176
ETIM 6.0	EC002908

UNSPSC

UNSPSC 6.01	30211808
UNSPSC 7.0901	39121408
UNSPSC 11	39121408
UNSPSC 12.01	39121408
UNSPSC 13.2	39121408