

Panel feed-through - Q 1,5/4FL/24-M20KU-ESA BK - 1643000

Please be informed that the data shown in this PDF Document is generated from our Online Catalog. Please find the complete data in the user's documentation. Our General Terms of Use for Downloads are valid (<http://phoenixcontact.com/download>)



Panel feed-through, for external wall mounting, with manual solder/slip-on connection, 4.8 x 0.8 mm, connecting thread M20x1.5, 4-pos.

Your advantages

- ✓ Innovative and time saving - QUICKON fast connection for time saving of up to 80 % for on-site connection
- ✓ Convenient: quick and easy assembly without special tools
- ✓ Robust throughout: housing with IP65/IP67 protection for a wide range of applications
- ✓ Safer connection thanks to polarization against mismatching and touch-proof protection according to DIN EN 0105
- ✓ Efficient - by using panel feed-throughs, devices no longer need to be opened in order to connect cables

Key Commercial Data

Packing unit	1 pc
Minimum order quantity	10 pc
GTIN	 4 017918 944186
GTIN	4017918944186
Weight per Piece (excluding packing)	20.890 g
Custom tariff number	85366990
Country of origin	Poland

Technical data

General

Connection	If the conductor is reconnected, it must be cut off above the last contact point. QUICKON components may only be operated when under no load.
Color	black
Connection method	QUICKON connection

Panel feed-through - Q 1,5/4FL/24-M20KU-ESA BK - 1643000

Technical data

General

	Manual solder/slip-on connection; 4.8 x 0.8 mm
Number of positions	4
Wrench size, union nut	19 mm
Tightening torque, union nut	3 Nm
Wrench size, contact carrier	24 mm
Tightening torque contact carrier	4.5 Nm
Tightening torque, counter nut	4.5 Nm
Number of connections	4
Conductor cross section flexible min.	0.75 mm ²
Conductor cross section flexible max.	1.5 mm ²
Conductor cross section solid min.	0.75 mm ²
Conductor cross section solid max.	1 mm ²
Conductor cross section AWG min.	18
Conductor cross section AWG max.	16

Cabel

Structure of individual litz in acc. with VDE 0295 / smallest wire diameter	VDE 0295 class 1 to 6/min. 0.15 mm
Wire insulation material	PVC / PE
Wire diameter including insulation	1.8 mm ... 3 mm
External cable diameter	6 mm ... 12 mm
Position marking	1, 2, 3, 4

Ambient conditions

Degree of protection	IP65
	IP67
Ambient temperature (operation)	-40 °C ... 80 °C
	-25 °C ... 50 °C
Temperature when conductor connected	-5 °C ... 50 °C

Electrical characteristics

Nominal current I _N	15 A (15 A with slip-on sleeve 2.5 mm ² ; 12 A with slip-on sleeve 1.5 mm ² .)
Rated current	15 A
Rated voltage (III/3)	500 V
Rated voltage (III/2)	800 V
Rated voltage (II/2)	1000 V
Note on the rated voltage (II/2)	with insulating sleeve
Rated surge voltage (III/3)	6 kV
Rated surge voltage (III/2)	6 kV
Rated surge voltage (II/2)	6 kV

Panel feed-through - Q 1,5/4FL/24-M20KU-ESA BK - 1643000

Technical data

Mechanical characteristics

QUICKON connectability	max. 10 (if the conductor is connected more than once, seal and cap may need to be replaced.)
PC QUICKON thread type	M20
Impact category	3
Category of shock impact	IK07

Material data

Contact material	CuZn
Contact surface material	Tin-plated
Contact carrier material	PA
Insulating material	PA
Flammability rating according to UL 94	V0
Overvoltage category	III
Degree of pollution	3

Standards and Regulations

Connection in acc. with standard	CUL
Flammability rating according to UL 94	V0

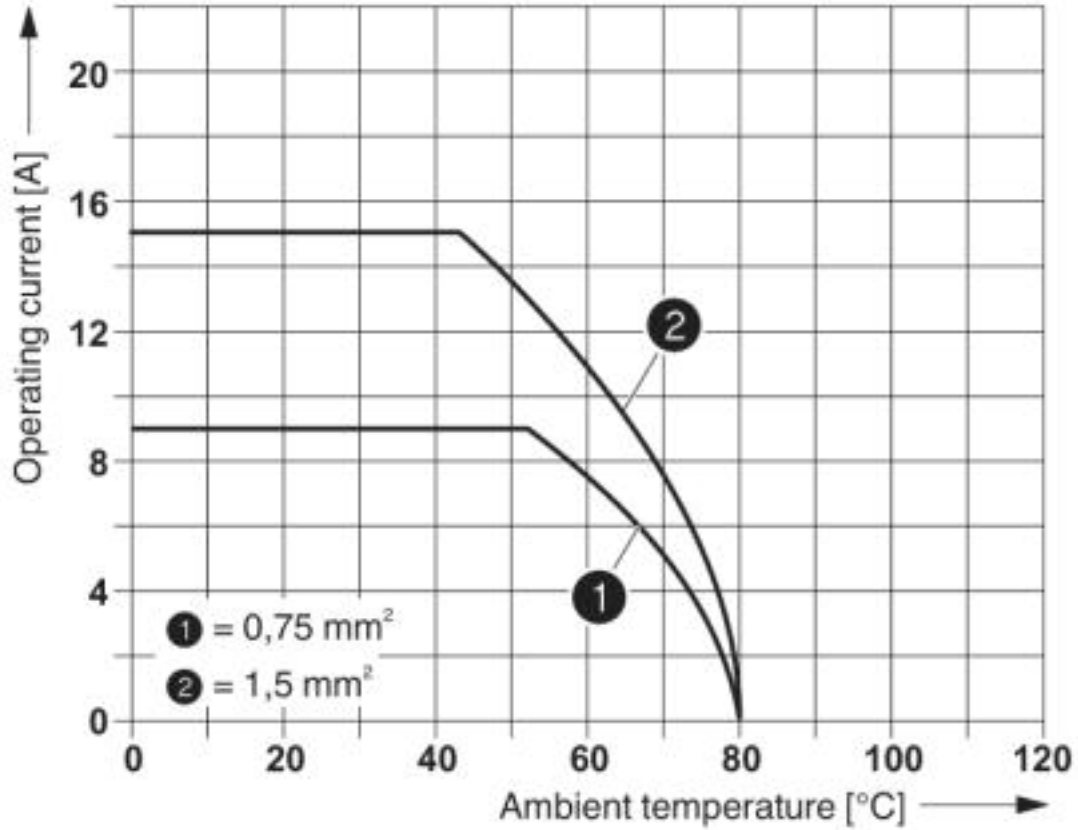
Environmental Product Compliance

China RoHS	Environmentally Friendly Use Period = 50
	For details about hazardous substances go to tab "Downloads", Category "Manufacturer's declaration"

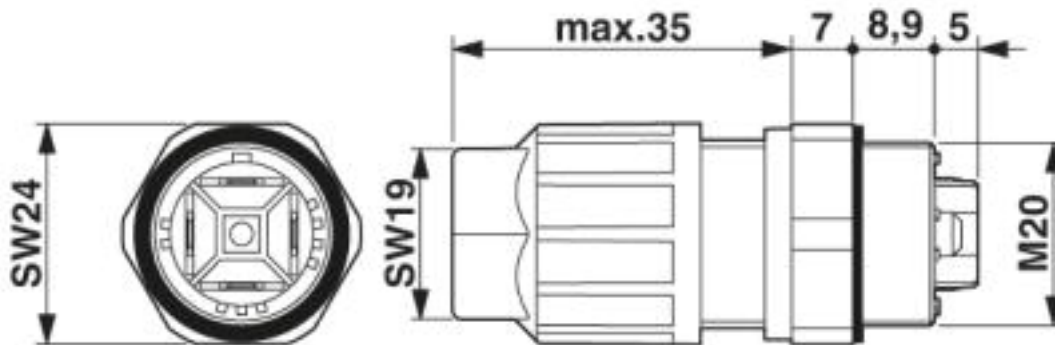
Drawings

Panel feed-through - Q 1,5/4FL/24-M20KU-ESA BK - 1643000

Diagram



Dimensional drawing



Classifications

eCl@ss

eCl@ss 4.0

27140800

Panel feed-through - Q 1,5/4FL/24-M20KU-ESA BK - 1643000

Classifications

eCl@ss

eCl@ss 4.1	27140800
eCl@ss 5.0	27143400
eCl@ss 5.1	27143400
eCl@ss 6.0	27143400
eCl@ss 7.0	27440602
eCl@ss 8.0	27440602
eCl@ss 9.0	27440602

ETIM

ETIM 2.0	EC001297
ETIM 3.0	EC000516
ETIM 4.0	EC000516
ETIM 5.0	EC002566
ETIM 6.0	EC002566
ETIM 7.0	EC002566

UNSPSC

UNSPSC 6.01	30211923
UNSPSC 7.0901	39121522
UNSPSC 11	39121522
UNSPSC 12.01	39121522
UNSPSC 13.2	39121413

Approvals

Approvals

Approvals


UL Recognized / cUL Recognized / VDE Zeichengenehmigung / EAC / EAC / cULus Recognized


Ex Approvals


Approval details

Panel feed-through - Q 1,5/4FL/24-M20KU-ESA BK - 1643000

Approvals


UL Recognized		http://database.ul.com/cgi-bin/XYV/template/LISEXT/1FRAME/index.htm	FILE E 118976
Nominal voltage UN		250 V	
Nominal current IN		15 A	

cUL Recognized		http://database.ul.com/cgi-bin/XYV/template/LISEXT/1FRAME/index.htm	FILE E 118976
Nominal voltage UN		250 V	
Nominal current IN		11 A	

VDE Zeichengenehmigung		http://www2.vde.com/de/Institut/Online-Service/VDE-gepruefteProdukte/Seiten/Online-Suche.aspx	40032336
Nominal voltage UN		500 V	
mm ² /AWG/kcmil		0.75-1.5	

EAC		RU C-DE.AI30.B.01102
-----	---	----------------------

EAC		RU C-DE.A*30.B.01102
-----	---	----------------------

cULus Recognized	
------------------	---

Accessories

Accessories

Electronics pliers

Panel feed-through - Q 1,5/4FL/24-M20KU-ESA BK - 1643000

Accessories

Diagonal cutter - MICROFOX-SB - 1212489



Electronic diagonal cutter, round head, without chamfer, with opening spring, mirror-polished and oiled, 2-component grip, cutting capacity: soft 0.2 - 2.0 mm; medium hard 1.2 mm; hard 0.5 mm diameter

Insulating sleeve

Insulating sleeve - PT/FS 4,8 - 1670497



Insulating sleeve, as touch protection, for 4.8 mm slip-on sleeves, slide onto the conductor before

Mounting material

Nut - Q-MU M20 - 1640702



Nut (plastic) to lock the contact carrier from the inside of the device

Sealing plugs

Closing cap - SEALING PLUG 12X22 RD - 1400260



Closing cap, material: PA, color: red

Socket spanner

Panel feed-through - Q 1,5/4FL/24-M20KU-ESA BK - 1643000

Accessories

Socket wrench - QSS 19 - 1670895



Socket wrench, for tightening and unscrewing the QUICKON union nut, wrench size 19 mm