

Contact insert - HC-K12/ 2-EBUC



1636347

<https://www.phoenixcontact.com/pc/products/1636347>

Please be informed that the data shown in this PDF document is generated from our Online Catalog. Please find the complete data in the user documentation. Our General Terms of Use for Downloads are valid.

HEAVYCON female insert, K12/2 series, for 12 power and 2 control contacts, crimp connection



Commercial Data

Item number	1636347
Packing unit	1 pc
Minimum order quantity	1 pc
Product Key	BF7ABA
Catalog Page	Page 569 (C-2-2019)
GTIN	4046356011488
Weight per Piece (including packing)	87 g
Weight per Piece (excluding packing)	83,8 g
Customs tariff number	85366990
Country of origin	CN

Contact insert - HC-K12/ 2-EBUC



1636347

<https://www.phoenixcontact.com/pc/products/1636347>

Technical Data

Notes

General	For HEAVYCON ADVANCE and HEAVYCON housing of type B16/B32, power contacts: CK 4,0-ED, control contacts: CK 1,6-ED (crimp contacts not supplied as standard)
General	Connectors may be operated only when there is no load/voltage.

Mounting

Assembly instructions	To ensure correct use, installation in housing with IP54 protection or better is required
-----------------------	---

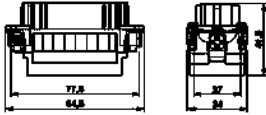
Product properties

Type	B16 B32
Product type	Contact insert with a fixed no. of positions
Number of positions	14
Connection profile	12+2+PE
No. of power contacts	12
No. of control contacts	2
Contact type	turned
Series	HC-K

Insulation characteristics

Overvoltage category	III
Degree of pollution	3

Dimensions

Dimensional drawing	
Width	34 mm
Height	41.5 mm
Length	84.5 mm
Drill hole distance, horizontal	77.5 mm

Mechanical characteristics

Contact diameter	4 mm
------------------	------

Connection data

Connection technology

Connection technology	Crimp connection (power contacts)
-----------------------	-----------------------------------

Contact insert - HC-K12/ 2-EBUC



1636347

<https://www.phoenixcontact.com/pc/products/1636347>

Conductor connection

Conductor cross section	1.5 mm ² ... 6 mm ² (power contacts)
	0.14 mm ² ... 2.5 mm ² (control contact)
Connection cross section AWG	16 ... 10 (power contacts)
	26 ... 14 (control contacts)
Tightening torque	0.8 Nm ... 1.2 Nm (PE connection)
	0.5 Nm ... 0.8 Nm (Mounting screws for mounting in the HEAVYCON housing)
Stripping length of the individual wire	9 mm (1.5 mm ² ... 2.5 mm ²)
	8 mm (0.14 ... 1.5 mm ²)
	9.5 mm (4 mm ² ... 6 mm ²)
	6 mm (2.5 mm ²)

Electrical properties

Rated voltage (III/3)	690 V (power contacts)
	250 V (control contacts)
Rated surge voltage	8 kV (power contacts)
	4 kV (control contacts)
Rated current	40 A (power contacts)
	10 A (control contacts)

Mechanical properties

Mechanical data

Insertion/withdrawal cycles	≥ 500
-----------------------------	-------

Material specifications

Flammability rating according to UL 94	V0
Contact material	Cu alloy
Contact carrier material	PC
Material of contact surface, power contact	Ag
Material of contact surface, control contact	Ag (alternatively Au)
Standards/regulations	PC: Fire protection in rail vehicles - requirement set R22 acc. to DIN EN 45545-2 (Risk level HL1 - HL2)
	PC: Fire protection in rail vehicles - requirement set R23 acc. to DIN EN 45545-2 (Risk level HL1 - HL3)

Environmental and real-life conditions

Ambient conditions

Ambient temperature (operation)	-40 °C ... 125 °C
---------------------------------	-------------------

Standards and regulations

Testing

Standards/regulations	PC: Fire protection in rail vehicles - requirement set R22 acc. to
-----------------------	--

Contact insert - HC-K12/ 2-EBUC

1636347

<https://www.phoenixcontact.com/pc/products/1636347>



PC: Fire protection in rail vehicles - requirement set R23 acc. to
DIN EN 45545-2 (Risk level HL1 - HL3)

Contact insert - HC-K12/ 2-EBUC

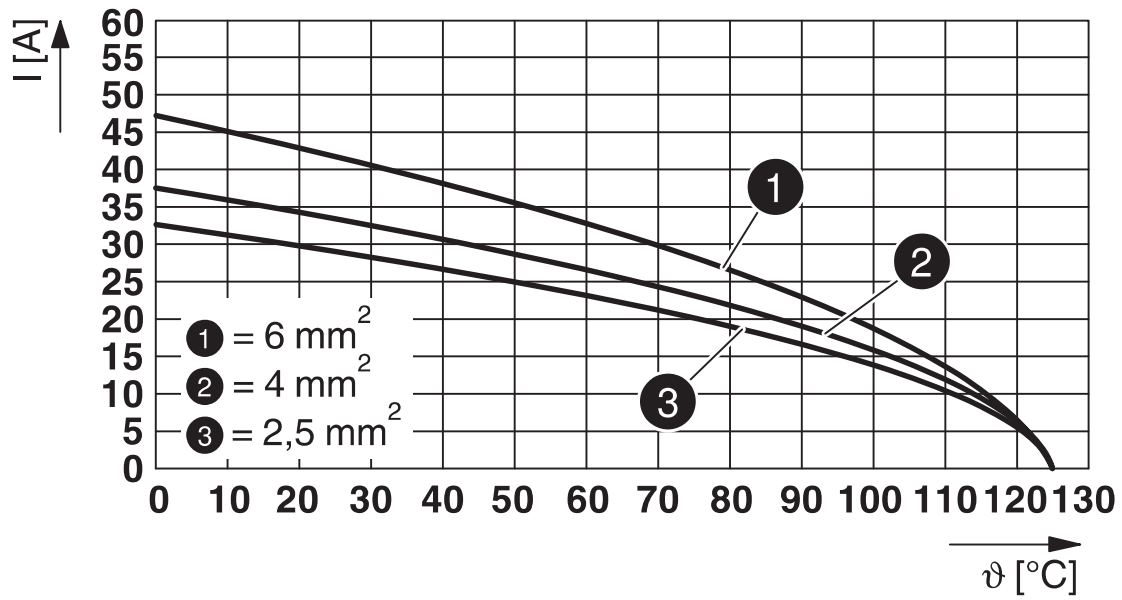


1636347

<https://www.phoenixcontact.com/pc/products/1636347>

Drawings

Diagram



Derating diagram

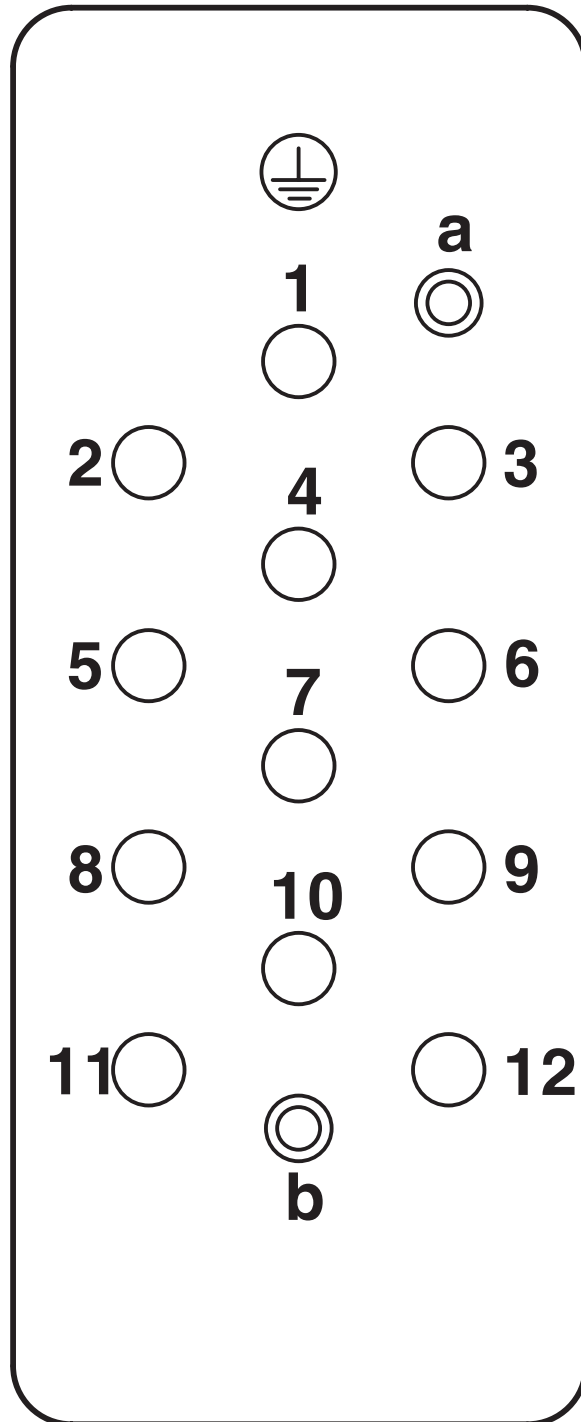
Contact insert - HC-K12/ 2-EBUC

1636347

<https://www.phoenixcontact.com/pc/products/1636347>



Schematic diagram



Connector pin assignment, connection side

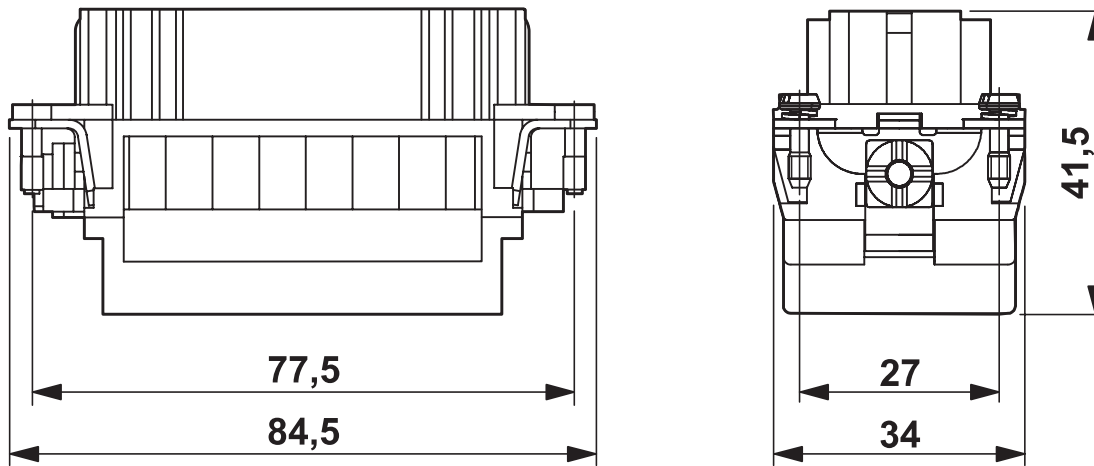
Contact insert - HC-K12/ 2-EBUC



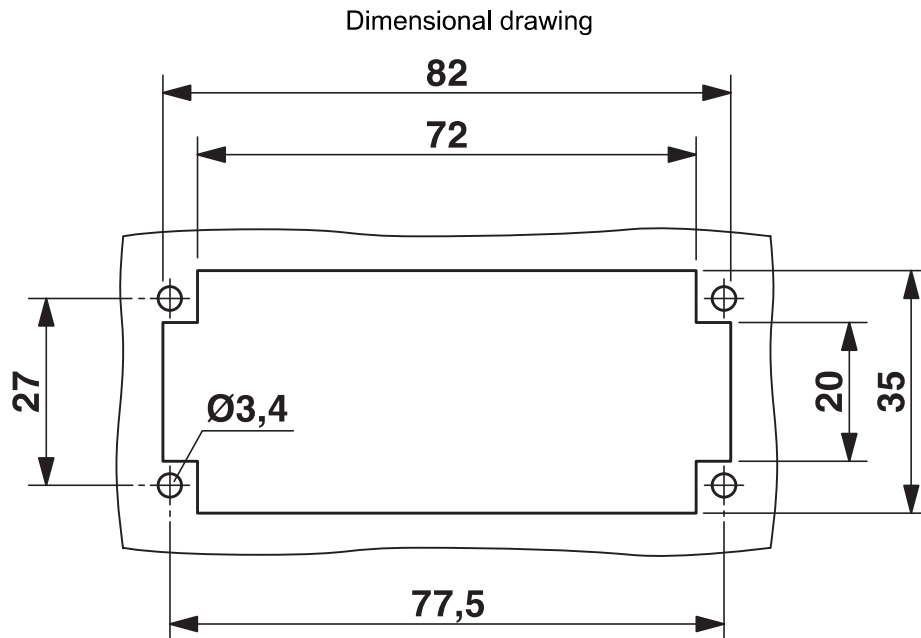
1636347

<https://www.phoenixcontact.com/pc/products/1636347>

Dimensional drawing



Dimensional drawing



Mounting cutout when used without housing

Contact insert - HC-K12/ 2-EBUC



1636347

<https://www.phoenixcontact.com/pc/products/1636347>

Approvals



UL Recognized

Approval ID: E118976

	Nominal Voltage U_N	Nominal Current I_N	Cross Section AWG	Cross Section mm^2
Power	600 V	40 A	- 10	-
Control	600 V	10 A	14	-



EAC

Approval ID: RU C-DE.AI30.B.01102



EAC

Approval ID: RU C-DE.BL08.B.00511

Contact insert - HC-K12/ 2-EBUC



1636347

<https://www.phoenixcontact.com/pc/products/1636347>

Classifications

ECLASS

ECLASS-9.0	27440205
ECLASS-10.0.1	27440205
ECLASS-11.0	27440205

ETIM

ETIM 8.0	EC000438
----------	----------

UNSPSC

UNSPSC 21.0	39121500
-------------	----------

Contact insert - HC-K12/ 2-EBUC

1636347

<https://www.phoenixcontact.com/pc/products/1636347>



Environmental Product Compliance

China RoHS

Environmentally friendly use period: unlimited = EFUP-e

No hazardous substances above threshold values