

Charging connector holder - EV-GBDC-PARK-R



1623496

<https://www.phoenixcontact.com/pc/products/1623496>

Please be informed that the data shown in this PDF document is generated from our Online Catalog. Please find the complete data in the user documentation. Our General Terms of Use for Downloads are valid.



CHARX connect accessories, Charging connector holder, Accessories, for vehicle charging connectors on charging stations (EVSE), GB/T, GB/T 20234.3, Front mounting, D-Line, C-Line, housing: black

Product Description

Retainer for Vehicle Connector as parking position at charging stations for E-Mobility (EVSE)

Your advantages

- Developed and produced in accordance with the IATF 16949 automotive standard and ISO 9001
- Individual branding, thanks to the use your own logo

Commercial Data

Item number	1623496
Packing unit	1 pc
Minimum order quantity	1 pc
Product Key	XWBAJG
Catalog Page	Page 43 (C-7-2019)
GTIN	4055626193861
Weight per Piece (including packing)	108.4 g
Weight per Piece (excluding packing)	105 g
Customs tariff number	39269097
Country of origin	CN

Charging connector holder - EV-GBDC-PARK-R

1623496

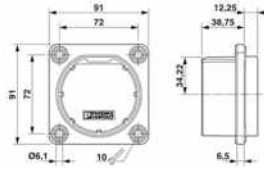
<https://www.phoenixcontact.com/pc/products/1623496>

Technical Data

Product properties

Product type	Charging connector holder
Application	for vehicle charging connectors on charging stations (EVSE)
Type	Accessories
Charging standard	GB/T
Charging mode	Mode 4

Dimensions

Dimensional drawing	
Bore dimensions	72 mm x 72 mm
Width	91 mm
Height	91 mm
Depth	51 mm

Material specifications

Color (Housing)	black (9005)
Material (Housing)	Plastic
Flammability rating according to UL 94	V0 ()

Mechanical properties

Securing	With actuation lever
Removal	Lever actuation and removal

Environmental and real-life conditions

Ambient conditions

Degree of protection (when plugged in)	IP54
Degree of protection	IP54
Degree of protection	IP54 (plugged in)
Ambient temperature (operation)	-30 °C ... 50 °C
Ambient temperature (storage/transport)	-40 °C ... 80 °C

Standards and regulations

Standards

Standards/regulations	GB/T 20234.3
-----------------------	--------------

Mounting

Charging connector holder - EV-GBDC-PARK-R



1623496

<https://www.phoenixcontact.com/pc/products/1623496>

Mounting type Charging connector holder	Front mounting (0° ... 45° frontal inclination possible)
Mounting hole diameter	6.10 mm (Reinforced hexagonal fixing with SW10)

Charging connector holder - EV-GBDC-PARK-R

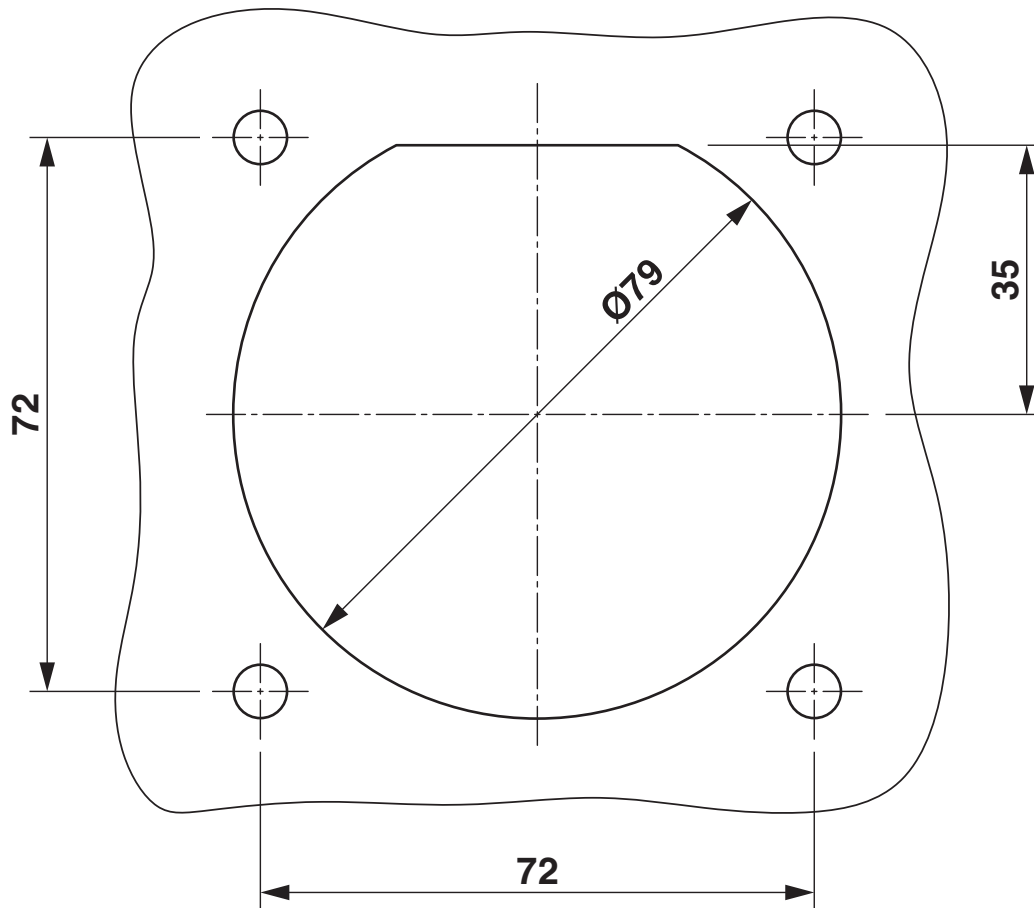


1623496

<https://www.phoenixcontact.com/pc/products/1623496>

Drawings

Drilling plan/solder pad geometry



Hole image

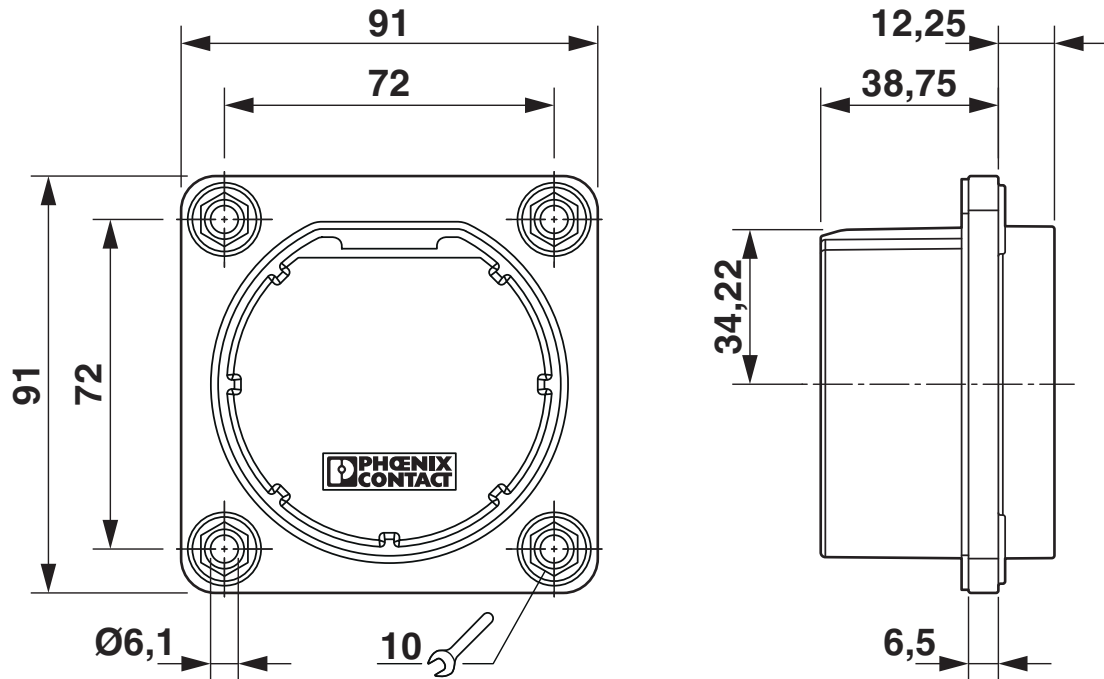
Charging connector holder - EV-GBDC-PARK-R



1623496

<https://www.phoenixcontact.com/pc/products/1623496>

Dimensional drawing



Dimensional drawing

Charging connector holder - EV-GBDC-PARK-R



1623496

<https://www.phoenixcontact.com/pc/products/1623496>

Classifications

ECLASS

ECLASS-9.0	27144792
ECLASS-10.0.1	27144792
ECLASS-11.0	27144792

ETIM

ETIM 8.0	EC002884
----------	----------

UNSPSC

UNSPSC 21.0	39121500
-------------	----------

Charging connector holder - EV-GBDC-PARK-R



1623496

<https://www.phoenixcontact.com/pc/products/1623496>

Environmental Product Compliance

China RoHS	Environmentally friendly use period: unlimited = EFUP-e No hazardous substances above threshold values
------------	---

Phoenix Contact 2023 © - all rights reserved
<https://www.phoenixcontact.com>

PHOENIX CONTACT GmbH & Co. KG
Flachmarktstraße 8
D-32825 Blomberg
+49 (0) 5235-3 00
info@phoenixcontact.com