

# Coupler connector - CA-06P1N8A9006



1620142

<https://www.phoenixcontact.com/us/products/1620142>

Please be informed that the data shown in this PDF document is generated from our Online Catalog. Please find the complete data in the user documentation. Our General Terms of Use for Downloads are valid.

---



Coupler connector, CA, straight, shielded: yes, for standard and SPEEDCON interlock, M23, No. of pos.: 6, Direction of rotation: Standard, type of contact: Pin, Crimp connection, cable diameter range: 4 mm ... 6 mm, coding:N

---

## Your advantages

- Safe use in the field, thanks to high degree of protection
- Connector for flexible on-site assembly
- Consistent EMC protection for reliable transmission of signals
- Crimping connection: vibration- and temperature-resistant assembly

# Coupler connector - CA-06P1N8A9006



1620142

<https://www.phoenixcontact.com/us/products/1620142>

## Commercial Data

Item number	1620142
Packing unit	1 pc
Minimum order quantity	1 pc
Sales Key	A12
Product Key	ABRBF1
Catalog Page	Page 88 (C-2-2019)
GTIN	4046356819022
Weight per Piece (including packing)	87.525 g
Weight per Piece (excluding packing)	87.525 g
Customs tariff number	85366990
Country of origin	DE

## Technical Data

### Notes

Order information:	Order crimp contacts 6 x Ø 2 mm separately
--------------------	--------------------------------------------

### Product properties

Product type	Circular connector (cable-side)
--------------	---------------------------------

### Ambient conditions

Ambient temperature (operation)	-40 °C ... 125 °C
---------------------------------	-------------------

### Connector

#### Insulating body

Note	Order information: Order crimp contacts 6 x Ø 2 mm separately
Coding	N
Insulation body material	PA 6.6
Connection method	Crimp connection
Contact type	Pin
Application	Signal
Number of positions	6
Direction of rotation	Standard
Connection profile	6
Contact diameter	2 mm
<b>Signal contacts</b>	
<b>Signal contacts</b> min.	1 mm <sup>2</sup>
<b>Signal contacts</b> max.	2.5 mm <sup>2</sup>
Nominal current	20 A
Rated voltage Signal contact	48 V AC
Rated surge voltage	1.5 kV
Overvoltage category	III
Degree of pollution	3

#### Housing

Housing material	Turned parts: copper zinc alloy (CuZn), die-cast parts: zinc (GD-Zn)
Type of locking	for standard and SPEEDCON interlock
Degree of protection (plugged in)	IP67
Thread type	M23

#### Seal

External cable diameter	4 mm ... 6 mm
Seal material	NBR

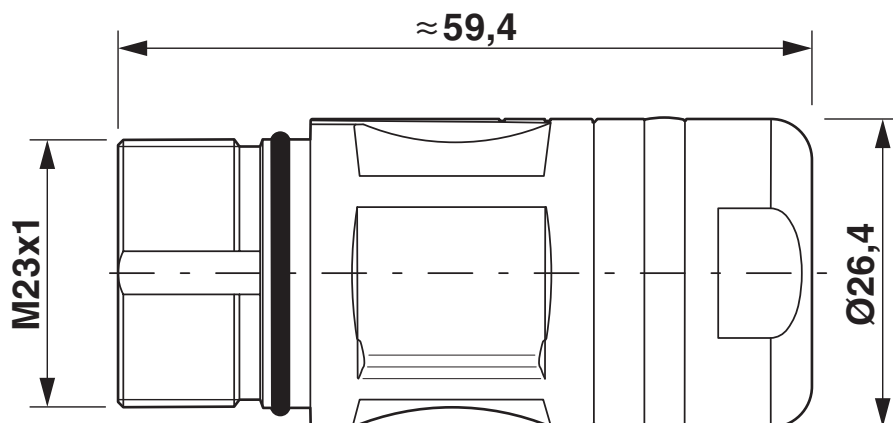
# Coupler connector - CA-06P1N8A9006

1620142

<https://www.phoenixcontact.com/us/products/1620142>

## Drawings

Dimensional drawing




# Coupler connector - CA-06P1N8A9006



1620142

<https://www.phoenixcontact.com/us/products/1620142>

## Approvals

 <b>cUL Recognized</b> Approval ID: E335019-20141210				
	Nominal Voltage $U_N$	Nominal Current $I_N$	Cross Section AWG	Cross Section $\text{mm}^2$
	48 V	10 A	- 14	-

 <b>UL Recognized</b> Approval ID: E335019-20141210				
	Nominal Voltage $U_N$	Nominal Current $I_N$	Cross Section AWG	Cross Section $\text{mm}^2$
	48 V	17 A	- 14	-

**cULus Recognized**

# Coupler connector - CA-06P1N8A9006



1620142

<https://www.phoenixcontact.com/us/products/1620142>

## Classifications

### ECLASS

ECLASS-9.0	27440102
ECLASS-10.0.1	27440102
ECLASS-11.0	27440102

### ETIM

ETIM 8.0	EC002635
----------	----------

### UNSPSC

UNSPSC 21.0	39121400
-------------	----------

# Coupler connector - CA-06P1N8A9006



1620142

<https://www.phoenixcontact.com/us/products/1620142>

## Environmental Product Compliance

REACH SVHC	Lead 7439-92-1
China RoHS	Environmentally Friendly Use Period = 50 years
	For information on hazardous substances, refer to the manufacturer's declaration available under "Downloads"

# Coupler connector - CA-06P1N8A9006

1620142

<https://www.phoenixcontact.com/us/products/1620142>

## Accessories

### Protective cap

Protective cap - SF-Z0019 - 1607449

<https://www.phoenixcontact.com/us/products/1607449>



Plastic protection cap, with eye, IP40 for connectors with M23 external thread, RF, SF series

---

### Protective cap

Protective cap - RC-Z2059 - 1604225

<https://www.phoenixcontact.com/us/products/1604225>



Plastic protection cap for connectors with M23 external thread

# Coupler connector - CA-06P1N8A9006

1620142

<https://www.phoenixcontact.com/us/products/1620142>

## Plastic anti-static dust protection cap

Plastic anti-static dust protection cap - RC-Z2469 - 1611797

<https://www.phoenixcontact.com/us/products/1611797>



Plastic protection cap, antistatic, for RF, SF, CA, RC series connectors, with M23 external thread

---

## Metal protective cap

Metal protective cap - RC-Z2104 - 1604260

<https://www.phoenixcontact.com/us/products/1604260>



Metal protection cap for signal connectors with M23 external thread

# Coupler connector - CA-06P1N8A9006

1620142

<https://www.phoenixcontact.com/us/products/1620142>

## Metal protective cap

Metal protective cap - RC-Z2068 - 1604236

<https://www.phoenixcontact.com/us/products/1604236>

Metal protection cap with steel wire for signal connectors with M23 external thread



---

## Color-coding

Color-coding - RF-Z0014 - 1620588

<https://www.phoenixcontact.com/us/products/1620588>

Color-coding, color: green



# Coupler connector - CA-06P1N8A9006

1620142

<https://www.phoenixcontact.com/us/products/1620142>

## Color-coding

Color-coding - RF-Z0015 - 1620592

<https://www.phoenixcontact.com/us/products/1620592>

Color-coding, color: orange



---

## Color-coding

Color-coding - RF-Z0016 - 1620593

<https://www.phoenixcontact.com/us/products/1620593>

Color-coding, color: black



# Coupler connector - CA-06P1N8A9006

1620142

<https://www.phoenixcontact.com/us/products/1620142>

## Crimp contact

Crimp contact - RC-5AP2000 - 1603505

<https://www.phoenixcontact.com/us/products/1603505>



Crimp contact, turned, contact diameter: 2 mm, crimp range: 1.5 mm<sup>2</sup> ... 2.5 mm<sup>2</sup>

---

## Crimp contact

Crimp contact - RC-5CP2000 - 1603513

<https://www.phoenixcontact.com/us/products/1603513>



Crimp contact, turned, contact diameter: 2 mm, crimp range: 1 mm<sup>2</sup> ... 1.5 mm<sup>2</sup>

# Coupler connector - CA-06P1N8A9006

1620142

<https://www.phoenixcontact.com/us/products/1620142>

## Square mounting flange

Square mounting flange - RF-Z0003 - 1607905

<https://www.phoenixcontact.com/us/products/1607905>



Square mounting flange, Axial seal, 4xM3, flange dimensions: 35 mm x 35 mm, series: RF

---

## Special wrench

Special wrench - RF-Z0007 - 1614347

<https://www.phoenixcontact.com/us/products/1614347>



Special wrench, series: RF

# Coupler connector - CA-06P1N8A9006



1620142

<https://www.phoenixcontact.com/us/products/1620142>

## Crimp contact

Crimp contact - RC-5SP2000 - 1603529

<https://www.phoenixcontact.com/us/products/1603529>



Crimp contact, turned, contact diameter: 2 mm, crimp range: 0.5 mm<sup>2</sup> ... 0.75 mm<sup>2</sup>

---

Phoenix Contact 2022 © - all rights reserved

<https://www.phoenixcontact.com>

Phoenix Contact USA  
586 Fulling Mill Road  
Middletown, PA 17057, United States  
(+717) 944-1300  
[info@phoenixcon.com](mailto:info@phoenixcon.com)