

Coupler connector - CA-17S1N129006



1620125

<https://www.phoenixcontact.com/pc/products/1620125>

Please be informed that the data shown in this PDF document is generated from our Online Catalog. Please find the complete data in the user documentation. Our General Terms of Use for Downloads are valid.



Coupler connector, CA, straight, shielded: yes, for standard and SPEEDCON interlock, M23, No. of pos.: 17, Direction of rotation: Standard, type of contact: Socket, Solder connection, cable diameter range: 4 mm ... 6 mm, coding:N

Your advantages

- Safe use in the field, thanks to high degree of protection
- Connector for flexible on-site assembly
- Consistent EMC protection for reliable transmission of signals
- Solder connection: proven connection technology for various litz wires

Coupler connector - CA-17S1N129006



1620125

<https://www.phoenixcontact.com/pc/products/1620125>

Commercial Data

Item number	1620125
Packing unit	1 pc
Minimum order quantity	1 pc
Note	Made to Order (non-returnable)
Product Key	ABRBFI
Catalog Page	Page 89 (C-2-2019)
GTIN	4046356819190
Weight per Piece (including packing)	99.71 g
Weight per Piece (excluding packing)	99.71 g
Customs tariff number	85366990
Country of origin	DE

Coupler connector - CA-17S1N129006



1620125

<https://www.phoenixcontact.com/pc/products/1620125>

Technical Data

Product properties

Product type	Circular connector (cable-side)
--------------	---------------------------------

Ambient conditions

Ambient temperature (operation)	-40 °C ... 125 °C
---------------------------------	-------------------

Connector

Insulating body

Coding	N
Insulation body material	PBT
Contact material	CuZn
Contact surface material	Ni/Au
Insertion/withdrawal cycles	100
Connection method	Solder connection
Contact type	Socket
Application	Signal
Number of positions	17
Direction of rotation	Standard
Connection profile	17
Rated surge voltage	1.5 kV
	1.5 kV
Overvoltage category	III
	III
Degree of pollution	3
	3

Housing

Type of locking	for standard and SPEEDCON interlock
Thread type	M23
Degree of protection	IP67
Housing material	Turned parts: copper zinc alloy (CuZn), die-cast parts: zinc (GD-Zn)

Seal

Seal material	NBR
External cable diameter	4 mm ... 6 mm

Coupler connector - CA-17S1N129006

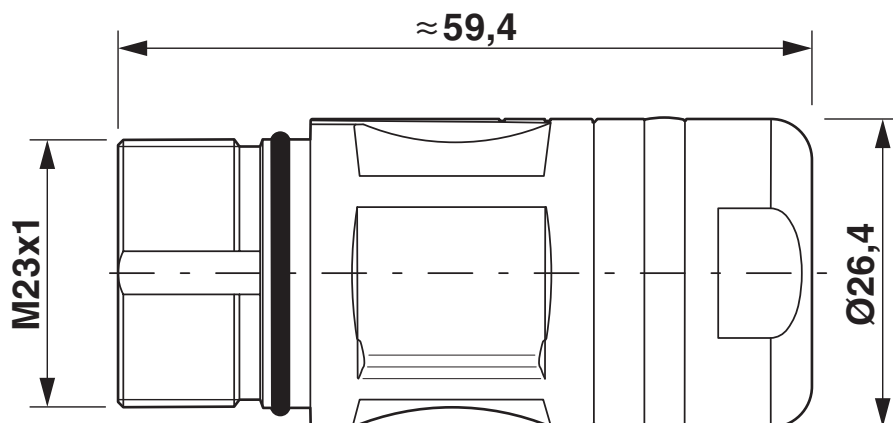


1620125

<https://www.phoenixcontact.com/pc/products/1620125>

Drawings

Dimensional drawing




Coupler connector - CA-17S1N129006



1620125

<https://www.phoenixcontact.com/pc/products/1620125>

Approvals

 cUL Recognized Approval ID: E335019-20141210				
	Nominal Voltage U_N	Nominal Current I_N	Cross Section AWG	Cross Section mm^2
	48 V	5 A	- 18	-

 UL Recognized Approval ID: E335019-20141210				
	Nominal Voltage U_N	Nominal Current I_N	Cross Section AWG	Cross Section mm^2
	48 V	8 A	- 18	-

cULus Recognized

Coupler connector - CA-17S1N129006



1620125

<https://www.phoenixcontact.com/pc/products/1620125>

Classifications

ECLASS

ECLASS-9.0	27440102
ECLASS-10.0.1	27440102
ECLASS-11.0	27440102

ETIM

ETIM 8.0	EC002635
----------	----------

UNSPSC

UNSPSC 21.0	39121400
-------------	----------

Coupler connector - CA-17S1N129006



1620125

<https://www.phoenixcontact.com/pc/products/1620125>

Environmental Product Compliance

REACH SVHC	Lead 7439-92-1
China RoHS	Environmentally Friendly Use Period = 50 years
	For information on hazardous substances, refer to the manufacturer's declaration available under "Downloads"

Coupler connector - CA-17S1N129006

1620125

<https://www.phoenixcontact.com/pc/products/1620125>

Accessories

Protective cap

Protective cap - SF-Z0019 - 1607449

<https://www.phoenixcontact.com/pc/products/1607449>



Plastic protection cap, with eye, IP40 for connectors with M23 external thread, RF, SF series

Protective cap

Protective cap - RC-Z2059 - 1604225

<https://www.phoenixcontact.com/pc/products/1604225>



Plastic protection cap for connectors with M23 external thread

Coupler connector - CA-17S1N129006

1620125

<https://www.phoenixcontact.com/pc/products/1620125>

Plastic anti-static dust protection cap

Plastic anti-static dust protection cap - RC-Z2469 - 1611797

<https://www.phoenixcontact.com/pc/products/1611797>



Plastic protection cap, antistatic, for RF, SF, CA, RC series connectors, with M23 external thread

Color-coding

Color-coding - RF-Z0014 - 1620588

<https://www.phoenixcontact.com/pc/products/1620588>

Color-coding, color: green



Coupler connector - CA-17S1N129006

1620125

<https://www.phoenixcontact.com/pc/products/1620125>

Color-coding

Color-coding - RF-Z0015 - 1620592

<https://www.phoenixcontact.com/pc/products/1620592>

Color-coding, color: orange



Color-coding

Color-coding - RF-Z0016 - 1620593

<https://www.phoenixcontact.com/pc/products/1620593>

Color-coding, color: black



Coupler connector - CA-17S1N129006



1620125

<https://www.phoenixcontact.com/pc/products/1620125>

Square mounting flange

Square mounting flange - RF-Z0003 - 1607905

<https://www.phoenixcontact.com/pc/products/1607905>



Square mounting flange, Axial seal, 4xM3, flange dimensions: 35 mm x 35 mm, series: RF

Phoenix Contact 2022 © - all rights reserved

<https://www.phoenixcontact.com>

PHOENIX CONTACT GmbH & Co. KG

Flachsmarktstraße 8

D-32825 Blomberg

+49 (0) 5235-3 00

info@phoenixcontact.com