

# Device connector, front mounting - CA-07P1NC22S00



1619913

<https://www.phoenixcontact.com/au/products/1619913>

Please be informed that the data shown in this PDF document is generated from our Online Catalog. Please find the complete data in the user documentation. Our General Terms of Use for Downloads are valid.

---



M23, Device connector, front mounting, CA, straight, shielded: yes, for standard and SPEEDCON interlock, No. of pos.: 7, Direction of rotation: Standard, type of contact: Pin, Solder-in connection, Flat gasket, 4x Ø 3.2, flange dimensions: 25 mm x 25 mm, coding:N

---

## Your advantages

- Safe use in the field, thanks to high degree of protection
- Consistent EMC protection for reliable transmission of signals
- Easy device integration: solder-in contacts available in different lengths

# Device connector, front mounting - CA-07P1NC22S00



1619913

<https://www.phoenixcontact.com/au/products/1619913>

## Commercial Data

Item number	1619913
Packing unit	1 pc
Minimum order quantity	1 pc
Note	Made to Order (non-returnable)
Sales Key	ABRBFJ
Product Key	ABRBFJ
Catalog Page	Page 330 (C-2-2013)
GTIN	4046356820547
Weight per Piece (including packing)	33.8 g
Weight per Piece (excluding packing)	31.2 g
Customs tariff number	85366990
Country of origin	DE

# Device connector, front mounting - CA-07P1NC22S00



1619913

<https://www.phoenixcontact.com/au/products/1619913>

## Technical Data

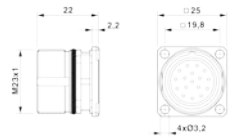
### Product properties

Product type	Circular connectors (device side)
--------------	-----------------------------------

### Ambient conditions

Ambient temperature (operation)	-40 °C ... 125 °C
---------------------------------	-------------------

### Dimensions

Dimensional drawing	
Length of the solder pin	17.5 mm
	17.5 mm

### Connector

#### Insulating body

Coding	N
Material	PBT
Application	Signal
Number of positions	7
Contact type	Pin
Coding	N
Connection method	Solder-in connection
Connection profile	7
Insertion/withdrawal cycles	100
Contact diameter	2 mm
Direction of rotation	Standard
Contact material	CuZn
Contact surface material	Ni/Au
Rated voltage (III/3)	48 V AC
Rated surge voltage (III/3)	1.5 kV

#### Housing

Type of locking	for standard and SPEEDCON interlock
Thread type	M23
Degree of protection	IP67
Housing material	GD-Zn

# Device connector, front mounting - CA-07P1NC22S00

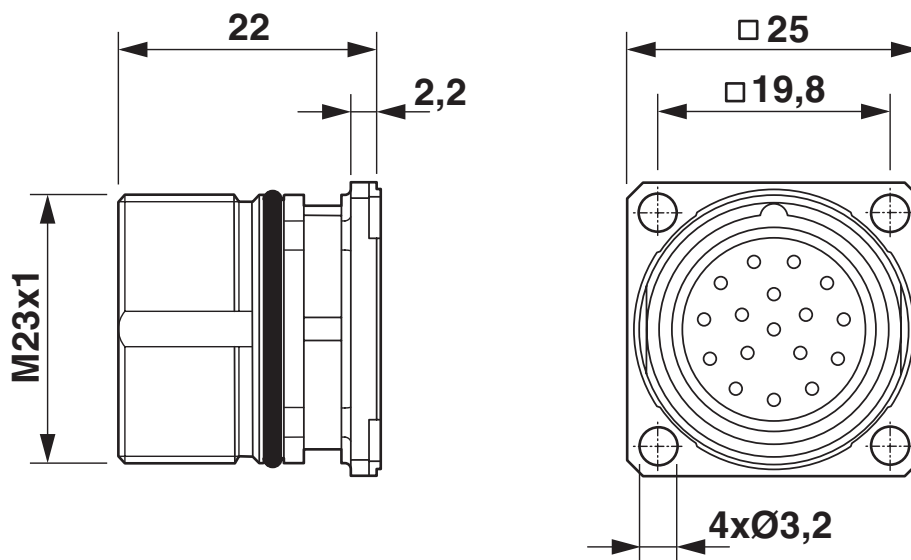


1619913

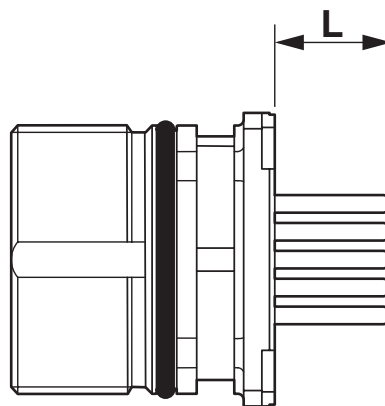
<https://www.phoenixcontact.com/au/products/1619913>

## Drawings

Dimensional drawing

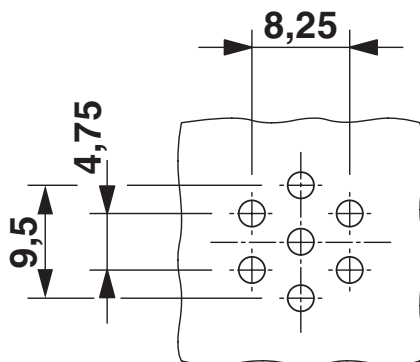


Dimensional drawing



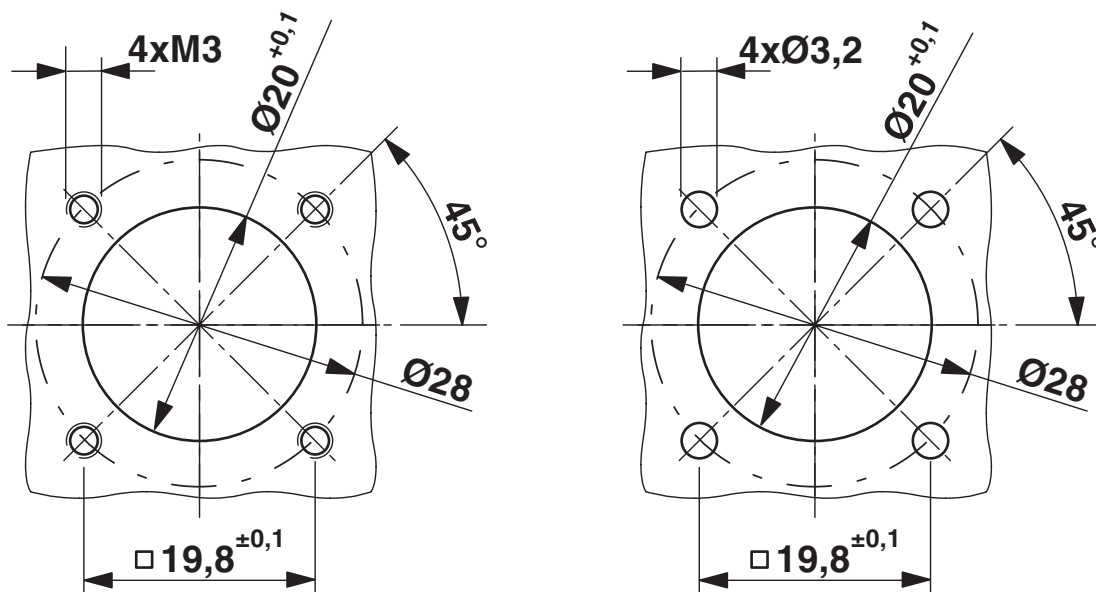
free solder pin length  $L=17,5$  mm

Drilling plan/solder pad geometry



7-pos.

Dimensional drawing



Installation dimensions

# Device connector, front mounting - CA-07P1NC22S00



1619913

<https://www.phoenixcontact.com/au/products/1619913>

## Approvals

 <b>cUL Recognized</b> Approval ID: E335019-20141210				
	Nominal Voltage $U_N$	Nominal Current $I_N$	Cross Section AWG	Cross Section $\text{mm}^2$
	48 V	10 A	- 14	-

 <b>UL Recognized</b> Approval ID: E335019-20141210				
	Nominal Voltage $U_N$	Nominal Current $I_N$	Cross Section AWG	Cross Section $\text{mm}^2$
	48 V	20 A	- 14	-

**cULus Recognized**

# Device connector, front mounting - CA-07P1NC22S00



1619913

<https://www.phoenixcontact.com/au/products/1619913>

## Classifications

### ECLASS

ECLASS-9.0	27440102
ECLASS-10.0.1	27440102
ECLASS-11.0	27440102

### ETIM

ETIM 8.0	EC002635
----------	----------

### UNSPSC

UNSPSC 21.0	39121400
-------------	----------

# Device connector, front mounting - CA-07P1NC22S00



1619913

<https://www.phoenixcontact.com/au/products/1619913>

## Environmental Product Compliance

REACH SVHC	Lead 7439-92-1
China RoHS	Environmentally Friendly Use Period = 50 years
	For information on hazardous substances, refer to the manufacturer's declaration available under "Downloads"

1619913

<https://www.phoenixcontact.com/au/products/1619913>

## Accessories

### Protective cap

Protective cap - SF-Z0019 - 1607449

<https://www.phoenixcontact.com/au/products/1607449>



Plastic protection cap, with eye, IP40 for connectors with M23 external thread, RF, SF series

---

### Protective cap

Protective cap - RC-Z2059 - 1604225

<https://www.phoenixcontact.com/au/products/1604225>



Plastic protection cap for connectors with M23 external thread

1619913

<https://www.phoenixcontact.com/au/products/1619913>

## Plastic anti-static dust protection cap

Plastic anti-static dust protection cap - RC-Z2469 - 1611797

<https://www.phoenixcontact.com/au/products/1611797>



Plastic protection cap, antistatic, for RF, SF, CA, RC series connectors, with M23 external thread

---

## Metal protective cap

Metal protective cap - RC-Z2104 - 1604260

<https://www.phoenixcontact.com/au/products/1604260>



Metal protection cap for signal connectors with M23 external thread

# Device connector, front mounting - CA-07P1NC22S00



1619913

<https://www.phoenixcontact.com/au/products/1619913>

## Metal protective cap

Metal protective cap - RC-Z2068 - 1604236

<https://www.phoenixcontact.com/au/products/1604236>

Metal protection cap with steel wire for signal connectors with M23 external thread



---

## Color-coding

Color-coding - CA-Z0120 - 1620704

<https://www.phoenixcontact.com/au/products/1620704>

Color-coding, color: green



# Device connector, front mounting - CA-07P1NC22S00



1619913

<https://www.phoenixcontact.com/au/products/1619913>

## Color-coding

Color-coding - CA-Z0121 - 1620705

<https://www.phoenixcontact.com/au/products/1620705>

Color-coding, color: orange



---

## Color-coding

Color-coding - CA-Z0122 - 1620706

<https://www.phoenixcontact.com/au/products/1620706>

Color-coding, color: black



# Device connector, front mounting - CA-07P1NC22S00



1619913

<https://www.phoenixcontact.com/au/products/1619913>

## Contact removal tool

Contact removal tool - CA-Z0001 - 1620699

<https://www.phoenixcontact.com/au/products/1620699>



Unlocking tool for contact carriers for snapping in the M23 signal device connectors

---

Phoenix Contact 2022 © - all rights reserved

<https://www.phoenixcontact.com>

PHOENIX CONTACT PTY Ltd

Unit 7, 2-8 South Street

Rydalmere NSW 2116

1300 786 411

[customerservice@phoenixcontact.com.au](mailto:customerservice@phoenixcontact.com.au)