

# Coupler connector - ST-08S1N8A9003S



1619015

<https://www.phoenixcontact.com/pc/products/1619015>

Please be informed that the data shown in this PDF document is generated from our Online Catalog. Please find the complete data in the user documentation. Our General Terms of Use for Downloads are valid.

---



Coupler connector, straight, for standard and SPEEDCON interlock, M17, number of positions: 8, type of contact: Socket, shielded: yes, degree of protection: IP67, cable diameter range: 5 mm ... 8 mm, number of positions: 8, connection method: Crimp connection, series: ST

---

## Your advantages

- Consistent EMC protection for reliable connection solutions in the industrial environment
- Crimping connection: vibration- and temperature-resistant assembly
- Flexible use: reliably connect various cable diameters

# Coupler connector - ST-08S1N8A9003S



1619015

<https://www.phoenixcontact.com/pc/products/1619015>

## Commercial Data

Item number	1619015
Packing unit	1 pc
Minimum order quantity	1 pc
Note	Made to Order (non-returnable)
Product Key	ABRBBI
Catalog Page	Page 67 (C-2-2019)
GTIN	4046356814133
Weight per Piece (including packing)	52.2 g
Weight per Piece (excluding packing)	52.2 g
Customs tariff number	85444290
Country of origin	DE

## Technical Data

### Notes

#### Safety note

Safety note	<p>WARNING: The connectors may not be plugged in or disconnected under load. Ignoring the warning or improper use may damage persons and/or property.</p> <ul style="list-style-type: none"><li>• WARNING: Commission properly functioning products only. The products must be regularly inspected for damage. Decommission defective products immediately. Replace damaged products. Repairs are not possible.</li><li>• WARNING: Only electrically qualified personnel may install and operate the product. They must observe the following safety notes. The qualified personnel must be familiar with the basics of electrical engineering. They must be able to recognize and prevent danger. The relevant symbol on the packaging indicates that only personnel familiar with electrical engineering are allowed to install and operate the product.</li><li>• The products are suitable for applications in plant, controller, and electrical device engineering.</li><li>• When operating the connectors in outdoor applications, they must be separately protected against environmental influences.</li><li>• Assembled products may not be manipulated or improperly opened.</li><li>• Only use mating connectors that are specified in the technical data of the standards listed (e.g. the ones listed in the product accessories online at <a href="https://www.phoenixcontact.com/products">phoenixcontact.com/products</a>).</li><li>• When using the product in direct connection with third-party manufacturers, the user is responsible.</li><li>• For operating voltages &gt; 50 V AC, conductive connector housings must be grounded</li><li>• Ensure that the protective or functional ground has been properly connected.</li><li>• VDE 0100/1.97 § 411.1.3.2 and DIN EN 60 204/11.98 § 14.1.3 are applicable when combining several circuits in a cable and/or connector</li><li>• Only use tools recommended by Phoenix Contact</li><li>• The installation notes/Design In documents online on the download page at <a href="https://www.phoenixcontact.com/products">phoenixcontact.com/products</a> must be observed for this product.</li><li>• Operate the connector only when it is fully plugged in and interlocked.</li><li>• Ensure that when laying the cable, the tensile load on the connectors does not exceed the upper limit specified in the standards.</li><li>• Observe the minimum bending radius of the cable. Lay the cable without twisting it.</li><li>• The connector warms up in normal operation. Depending on the ambient conditions, the surface of the connector can continue to warm up. In this case, the user is responsible for posting warnings (e.g. DIN EN ISO 13732-1:2008-12).</li></ul>
-------------	--

# Coupler connector - ST-08S1N8A9003S



1619015

<https://www.phoenixcontact.com/pc/products/1619015>

## Product properties

Product type	Circular connector (cable-side)
Number of positions	8
Connection profile	8
Application	Signal
Locking type	for standard and SPEEDCON interlock
Series	ST
Shielded	yes
Coding	N
Thread type	M17

## Ambient conditions

Degree of protection	IP67
Ambient temperature (operation)	-40 °C ... 125 °C
Altitude	3000 m

## Connector

Type	straight
Direction of rotation	Standard

## Electrical properties

### Contact

Contact diameter	1 mm
Max. current	8 A
Nominal voltage $U_N$	48 V AC 74 V DC
Overvoltage category	III
Rated surge voltage	1.5 kV

## Material specifications

Seal material	FPM
Housing material	Metal

## Connection data

### Conductor connection

Connection method	Crimp connection
-------------------	------------------

## Cable / line

### Cable structure

External cable diameter	5 mm ... 8 mm
-------------------------	---------------

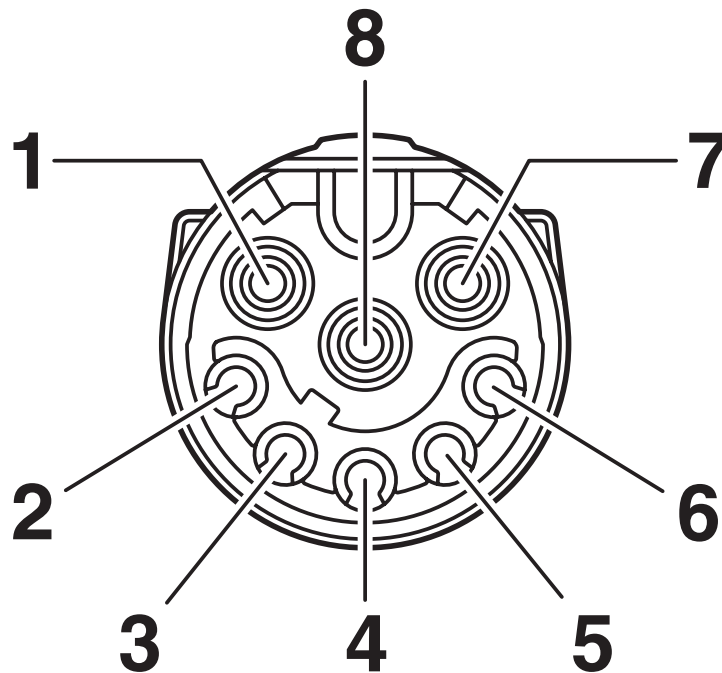
# Coupler connector - ST-08S1N8A9003S

1619015

<https://www.phoenixcontact.com/pc/products/1619015>

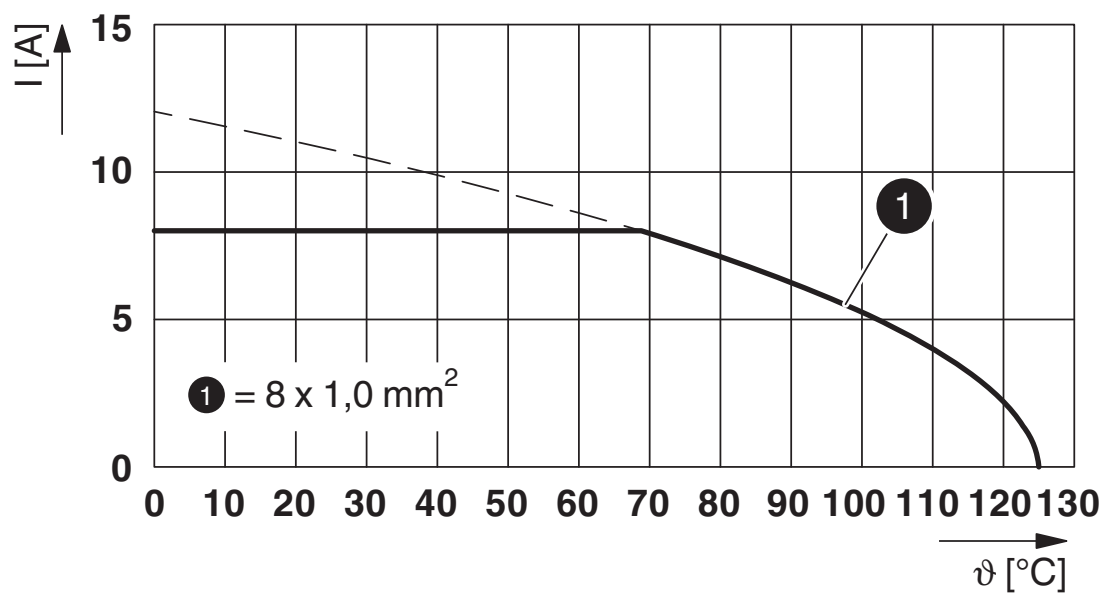
## Drawings

Schematic diagram



Connector pin assignment

Diagram



$I$  = current strength,  $\vartheta$  = ambient temperature, 8x 8 A

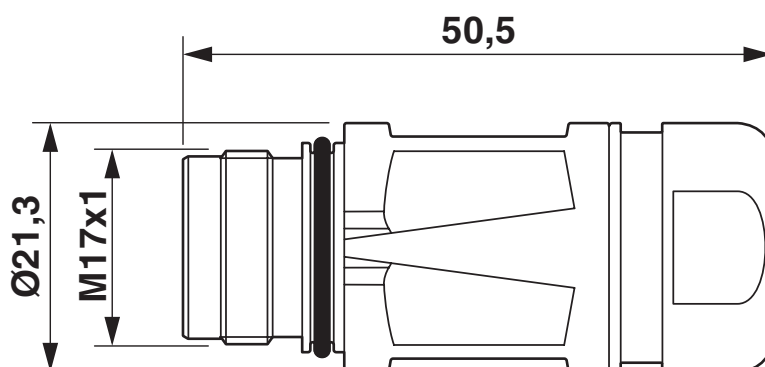
# Coupler connector - ST-08S1N8A9003S

1619015

<https://www.phoenixcontact.com/pc/products/1619015>



Dimensional drawing



# Coupler connector - ST-08S1N8A9003S




1619015

<https://www.phoenixcontact.com/pc/products/1619015>


## Approvals


 <b>cUL Recognized</b> Approval ID: FILE E 335019				
	Nominal Voltage $U_N$	Nominal Current $I_N$	Cross Section AWG	Cross Section $\text{mm}^2$
	48 V	5 A	-	-

 <b>UL Recognized</b> Approval ID: FILE E 335019				
	Nominal Voltage $U_N$	Nominal Current $I_N$	Cross Section AWG	Cross Section $\text{mm}^2$
	48 V	5 A	-	-

 <b>EAC</b> Approval ID: B.00767				
--	--	--	--	--

 <b>EAC</b> Approval ID: B.01687				
--	--	--	--	--

 <b>UL Recognized</b> Approval ID: E153698-20140124				
	Nominal Voltage $U_N$	Nominal Current $I_N$	Cross Section AWG	Cross Section $\text{mm}^2$
	48 V	5 A	-	-

 <b>cUL Recognized</b> Approval ID: E153698-20140124				
	Nominal Voltage $U_N$	Nominal Current $I_N$	Cross Section AWG	Cross Section $\text{mm}^2$
	48 V	5 A	-	-

# Coupler connector - ST-08S1N8A9003S



1619015

<https://www.phoenixcontact.com/pc/products/1619015>

## Classifications

### ECLASS

ECLASS-9.0	27440102
ECLASS-10.0.1	27440102
ECLASS-11.0	27440102

### ETIM

ETIM 8.0	EC002635
----------	----------

### UNSPSC

UNSPSC 21.0	39121400
-------------	----------

# Coupler connector - ST-08S1N8A9003S



1619015

<https://www.phoenixcontact.com/pc/products/1619015>

## Environmental Product Compliance

REACH SVHC	Lead 7439-92-1
China RoHS	Environmentally Friendly Use Period = 50 years
	For information on hazardous substances, refer to the manufacturer's declaration available under "Downloads"

# Coupler connector - ST-08S1N8A9003S



1619015

<https://www.phoenixcontact.com/pc/products/1619015>

## Accessories

### Crimp contact

Crimp contact - ST-10KS010 - 1618239

<https://www.phoenixcontact.com/pc/products/1618239>



Crimp contact, turned, Single contact, contact diameter: 1 mm, crimp range: 0.06 mm<sup>2</sup> ... 0.25 mm<sup>2</sup>

---

### Crimp contact

Crimp contact - ST-10KS035 - 1618464

<https://www.phoenixcontact.com/pc/products/1618464>



Crimp contact, turned, contact diameter: 1 mm, crimp range: 0.25 mm<sup>2</sup> ... 1 mm<sup>2</sup>

# Coupler connector - ST-08S1N8A9003S

1619015

<https://www.phoenixcontact.com/pc/products/1619015>

## Protective cap

Protective cap - ST-Z0006 - 1607776

<https://www.phoenixcontact.com/pc/products/1607776>



Plastic protection cap for connectors with M17 external thread

---

## Color-coding

Color-coding - ST-Z0016 - 1617993

<https://www.phoenixcontact.com/pc/products/1617993>



Color-coding, color: green

# Coupler connector - ST-08S1N8A9003S

1619015

<https://www.phoenixcontact.com/pc/products/1619015>

## Color-coding

Color-coding - ST-Z0017 - 1618049

<https://www.phoenixcontact.com/pc/products/1618049>

Color-coding, color: orange



---

## Color-coding

Color-coding - ST-Z0018 - 1618050

<https://www.phoenixcontact.com/pc/products/1618050>

Color-coding, color: black



# Coupler connector - ST-08S1N8A9003S

1619015

<https://www.phoenixcontact.com/pc/products/1619015>

## Metal protective cap

Metal protective cap - ST-Z0014 - 1616069

<https://www.phoenixcontact.com/pc/products/1616069>

Metal protection cap for connectors with M17 external thread



---

## Metal protective cap

Metal protective cap - ST-Z0013 - 1616068

<https://www.phoenixcontact.com/pc/products/1616068>

Metal protection cap with steel wire for connectors with M17 external thread



---

Phoenix Contact 2022 © - all rights reserved  
<https://www.phoenixcontact.com>

PHOENIX CONTACT GmbH & Co. KG  
Flachsmarktstraße 8  
D-32825 Blomberg  
+49 (0) 5235-3 00  
[info@phoenixcontact.com](mailto:info@phoenixcontact.com)