


Protective covers - VS-PPC-C1-PC67-MNNA - 1608142

Please be informed that the data shown in this PDF Document is generated from our Online Catalog. Please find the complete data in the user's documentation. Our General Terms of Use for Downloads are valid (<http://phoenixcontact.com/download>)

Protective cover, IP67, metal version, to cover the contact insert in the RJ45 and SC-RJ push-pull panel mounting frames



Key Commercial Data

Packing unit	1 pc
GTIN	 4 046356 159982
GTIN	4046356159982
Weight per Piece (excluding packing)	58.200 g
Custom tariff number	79070000
Country of origin	Germany

Technical data

Mechanical characteristics

Locking type	Push Pull
Weight	55.96 g

Ambient conditions

Ambient temperature (operation)	-40 °C ... 70 °C
---------------------------------	------------------

Material data

Cable gland material	CuZn
Seal material	TPE
	NBR
	NBR
Housing material	Zinc die-cast

Protective covers - VS-PPC-C1-PC67-MNNA - 1608142

Technical data

Material data

Housing surface material	Nickel-plated
Seal material, O-ring	NBR
Seal material cable seal	TPE
Seal material	NBR
Width	22 mm
Height	30 mm
Length	56 mm
Wrench size	17.00 mm

Standards and Regulations

Flammability rating according to UL 94	V0
--	----

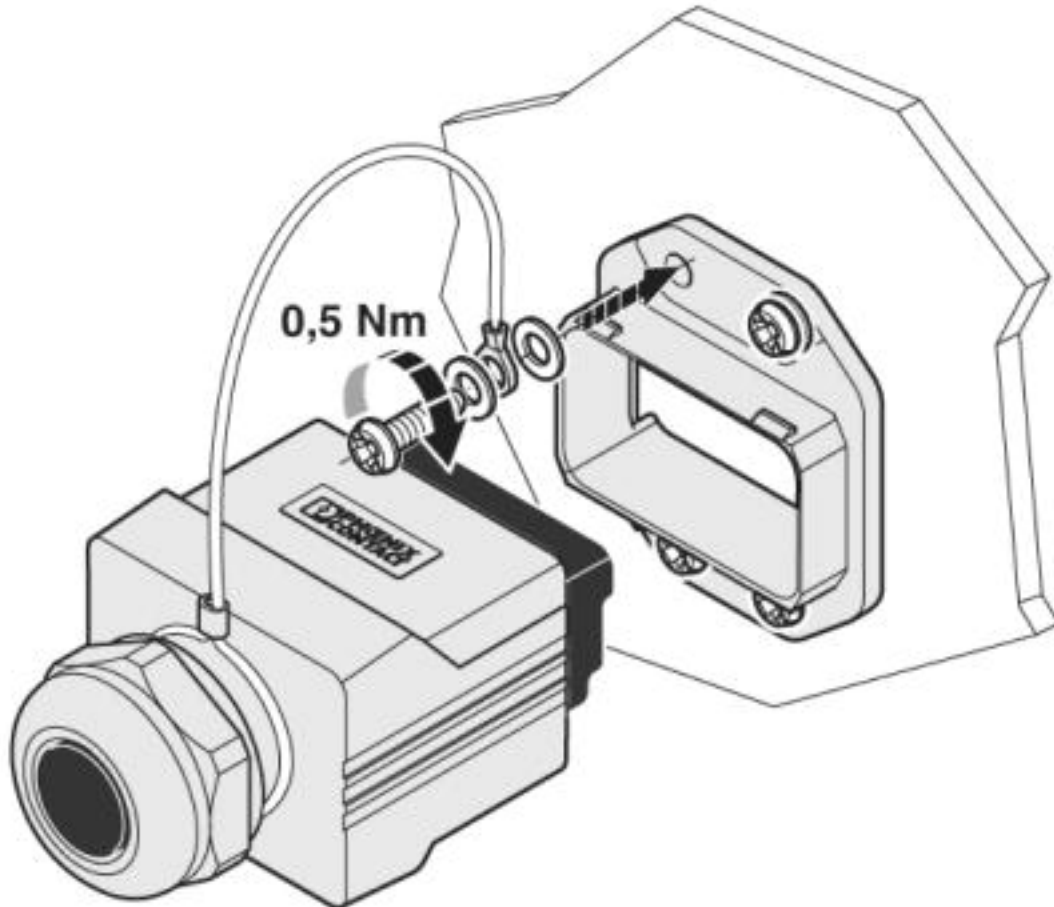
Environmental Product Compliance

REACH SVHC	Lead 7439-92-1
China RoHS	Environmentally Friendly Use Period = 50 years
	For details about hazardous substances go to tab "Downloads", Category "Manufacturer's declaration"

Drawings

Protective covers - VS-PPC-C1-PC67-MNNA - 1608142

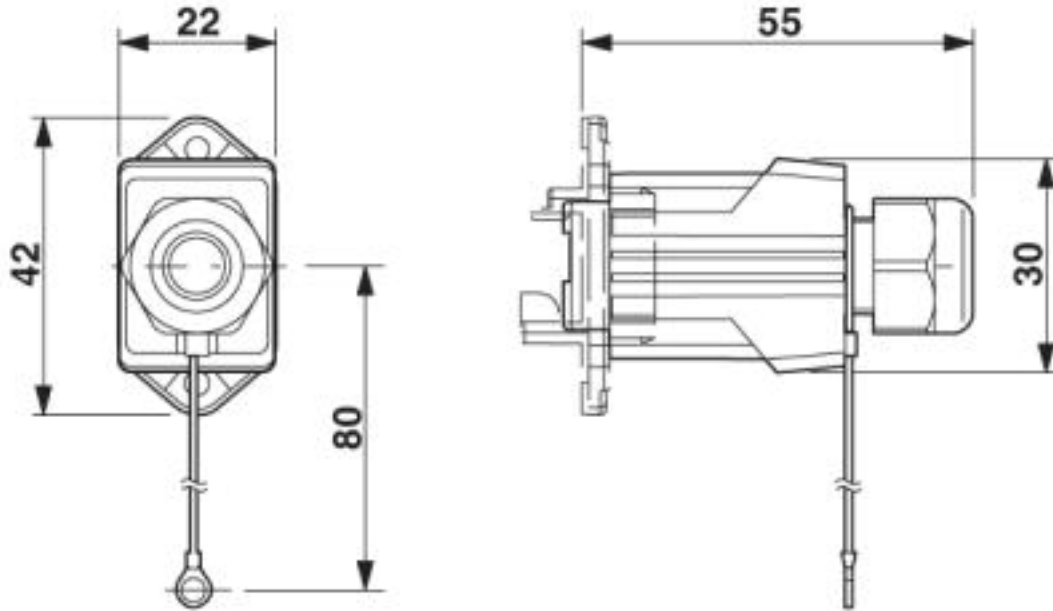
Exploded view



Mounting the protective cover

Protective covers - VS-PPC-C1-PC67-MNNA - 1608142

Dimensional drawing



Protective cover for the Push-Pull panel mounting frame

Classifications

eCl@ss

eCl@ss 10.0.1	27440208
eCl@ss 4.0	27141200
eCl@ss 4.1	27141200
eCl@ss 5.0	27149100
eCl@ss 5.1	27149100
eCl@ss 6.0	27261200
eCl@ss 7.0	27440208
eCl@ss 8.0	27440208
eCl@ss 9.0	27440208

ETIM

ETIM 2.0	EC000241
ETIM 3.0	EC002040
ETIM 4.0	EC002314
ETIM 5.0	EC002314
ETIM 6.0	EC002314
ETIM 7.0	EC002314

Protective covers - VS-PPC-C1-PC67-MNNA - 1608142

Classifications

UNSPSC

UNSPSC 6.01	30212113
UNSPSC 7.0901	39121712
UNSPSC 11	39121712
UNSPSC 12.01	39121712
UNSPSC 13.2	39121421
UNSPSC 18.0	39121421
UNSPSC 19.0	39121421
UNSPSC 20.0	39121421
UNSPSC 21.0	39121421