

# Device connector, front mounting - SM-5EPWN8AAD00S

1607927

<https://www.phoenixcontact.com/au/products/1607927>

Please be informed that the data shown in this PDF document is generated from our Online Catalog. Please find the complete data in the user documentation. Our General Terms of Use for Downloads are valid.

---



Device connector, front mounting, angled rotatable, for standard and SPEEDCON interlock, M40, number of positions: 2+3+PE, type of contact: Pin, Axial O-ring, 4xØ4,4, shielded: yes, flange dimensions: 40 mm x 40 mm, degree of protection: IP67, number of positions: 6, connection method: Crimp connection, series: SM

---

# Device connector, front mounting - SM-5EPWN8AAD00S



1607927

<https://www.phoenixcontact.com/au/products/1607927>

## Commercial Data

Item number	1607927
Packing unit	1 pc
Minimum order quantity	1 pc
Sales Key	ABRCCL
Product Key	ABRCCL
Catalog Page	Page 83 (PC-2011)
GTIN	4046356271431
Weight per Piece (including packing)	445.6 g
Weight per Piece (excluding packing)	397.9 g
Customs tariff number	85366990
Country of origin	DE

# Device connector, front mounting - SM-5EPWN8AAD00S



1607927

<https://www.phoenixcontact.com/au/products/1607927>

## Technical Data

### Notes

Order information:	Order crimp contacts 2 x Ø 2 mm, 4 x Ø 3.6 mm separately
--------------------	--

### Safety note

Safety note	WARNING: The connectors may not be plugged in or disconnected under load. Ignoring the warning or improper use may damage persons and/or property.
	• WARNING: Commission properly functioning products only. The products must be regularly inspected for damage. Decommission defective products immediately. Replace damaged products. Repairs are not possible.
	• WARNING: Only electrically qualified personnel may install and operate the product. They must observe the following safety notes. The qualified personnel must be familiar with the basics of electrical engineering. They must be able to recognize and prevent danger. The relevant symbol on the packaging indicates that only personnel familiar with electrical engineering are allowed to install and operate the product.
	• The products are suitable for applications in plant, controller, and electrical device engineering.
	• When operating the connectors in outdoor applications, they must be separately protected against environmental influences.
	• Assembled products may not be manipulated or improperly opened.
	• Only use mating connectors that are specified in the technical data of the standards listed (e.g. the ones listed in the product accessories online at <a href="https://www.phoenixcontact.com/products">phoenixcontact.com/products</a> ).
	• When using the product in direct connection with third-party manufacturers, the user is responsible.
	• For operating voltages > 50 V AC, conductive connector housings must be grounded
	• Ensure that the protective or functional ground has been properly connected.
	• VDE 0100/1.97 § 411.1.3.2 and DIN EN 60 204/11.98 § 14.1.3 are applicable when combining several circuits in a cable and/or connector
	• Only use tools recommended by Phoenix Contact
	• The installation notes/Design In documents online on the download page at <a href="https://www.phoenixcontact.com/products">phoenixcontact.com/products</a> must be observed for this product.
	• Operate the connector only when it is fully plugged in and interlocked.

# Device connector, front mounting - SM-5EPWN8AAD00S



1607927

<https://www.phoenixcontact.com/au/products/1607927>

warnings (e.g. DIN EN ISO 13732-1:2008-12).

## Product properties

Product type	Circular connectors (device side)
Number of positions	6
Connection profile	2+3+PE
Application	Power
Locking type	for standard and SPEEDCON interlock
Series	SM
Shielded	yes
Coding	N
Thread type	M40

## Ambient conditions

Degree of protection	IP67
Ambient temperature (operation)	-40 °C ... 125 °C
Altitude	3000 m

## Dimensions

### Housing

Flange dimensions	40 mm x 40 mm
-------------------	---------------

## Connector

Type	angled rotatable
------	------------------

## Electrical properties

### Contact

Contact diameter	3.6 mm
Max. current	70 A
Nominal voltage $U_N$	630 V
Overvoltage category	III
Rated surge voltage	6 kV

### Contact

Contact diameter	2 mm
Max. current	30 A
Nominal voltage $U_N$	250 V
Overvoltage category	III
Rated surge voltage	4 kV

## Material specifications

Seal material	FPM
Housing material	Turned parts: copper zinc alloy (CuZn), die-cast parts: zinc (GD-Zn)
Insulator material	PA 6.6

# Device connector, front mounting - SM-5EPWN8AAD00S



1607927

<https://www.phoenixcontact.com/au/products/1607927>

Gasket and O-ring material	FPM
Housing material	Metal

## Connection data

Conductor connection

Connection method	Crimp connection
-------------------	------------------

## Mounting

Mounting	4xØ4,4
----------	--------

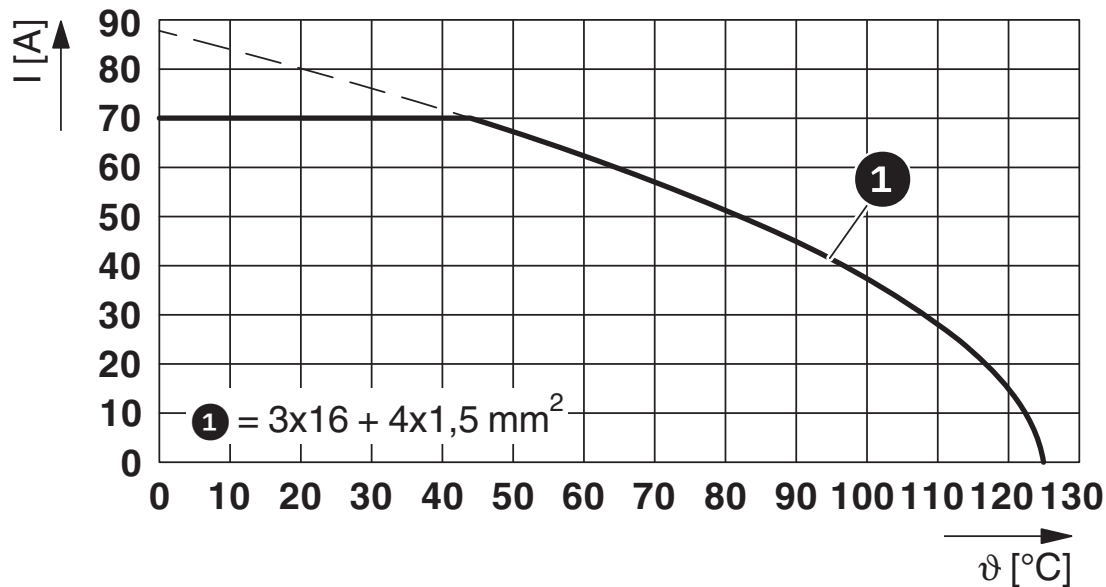
# Device connector, front mounting - SM-5EPWN8AAD00S

1607927

<https://www.phoenixcontact.com/au/products/1607927>

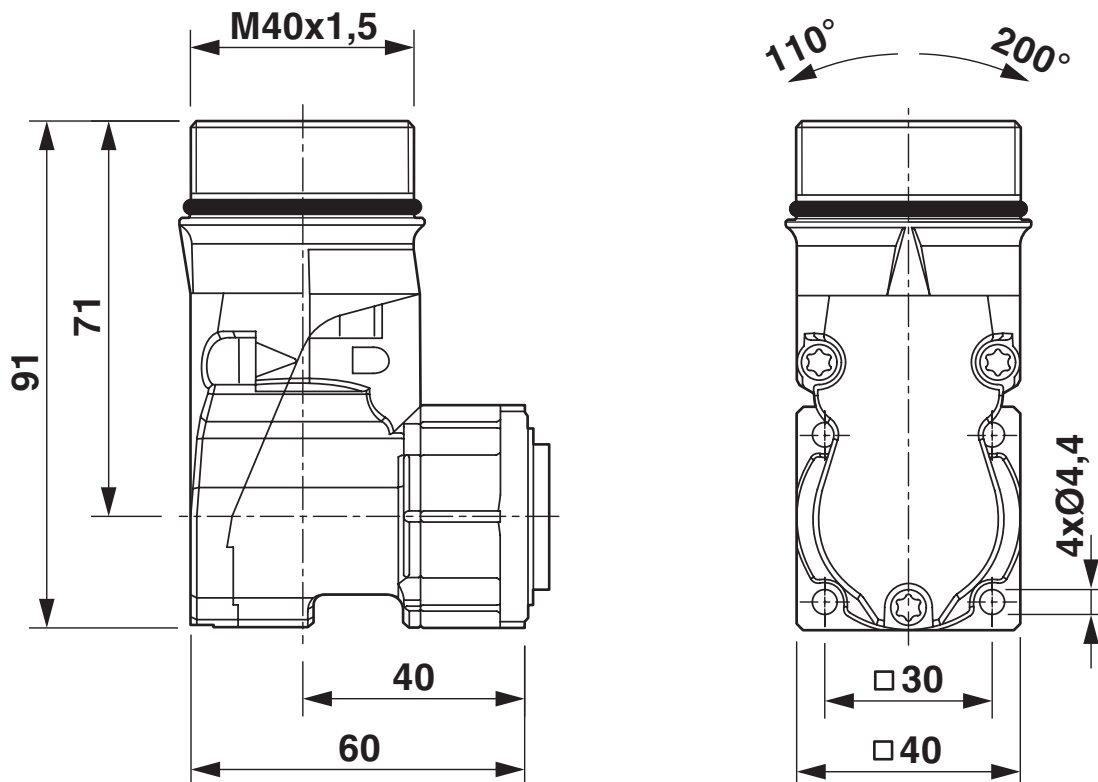
## Drawings

Diagram



I = current strength, T = ambient temperature

Dimensional drawing



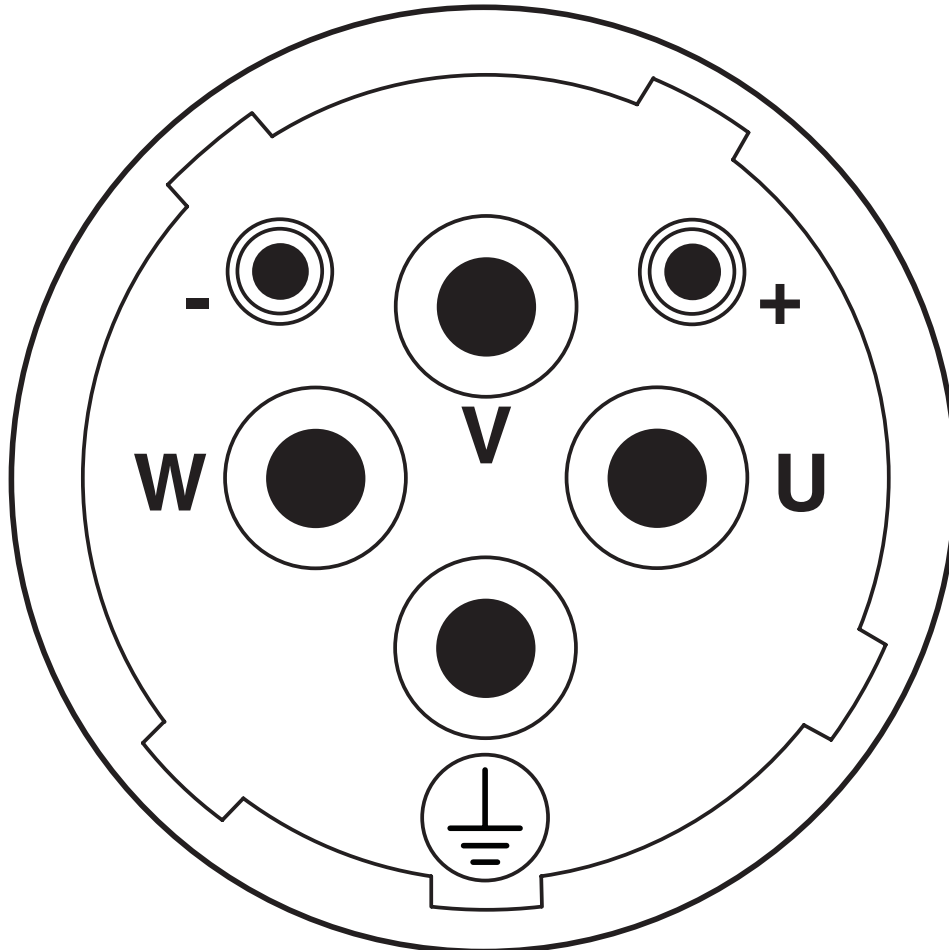
Dimensional drawing

# Device connector, front mounting - SM-5EPWN8AAD00S

1607927

<https://www.phoenixcontact.com/au/products/1607927>

Schematic diagram



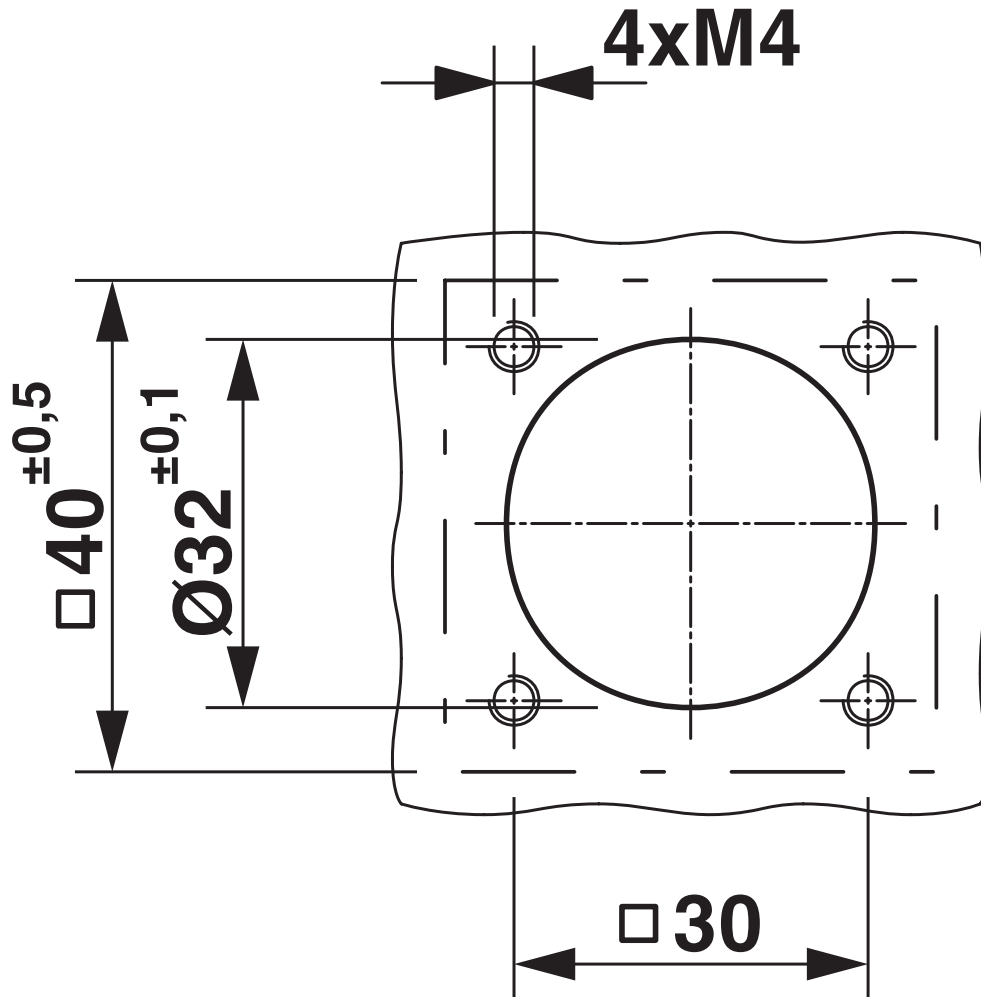
Connector pin assignment

Device connector, front mounting - SM-  
5EPWN8AAD00S

1607927

<https://www.phoenixcontact.com/au/products/1607927>

Dimensional drawing



Installation dimensions


# Device connector, front mounting - SM-5EPWN8AAD00S





1607927

<https://www.phoenixcontact.com/au/products/1607927>

## Approvals

 <b>cUL Recognized</b> Approval ID: E153698-20150903				
	Nominal Voltage $U_N$	Nominal Current $I_N$	Cross Section AWG	Cross Section $\text{mm}^2$
Power	600 V	40 A	-	-
Signal	600 V	20 A	-	-

 <b>UL Recognized</b> Approval ID: E153698-20150903				
	Nominal Voltage $U_N$	Nominal Current $I_N$	Cross Section AWG	Cross Section $\text{mm}^2$
Power	600 V	65 A	-	-
Signal	600 V	30 A	-	-

 <b>EAC</b> Approval ID: B.01687	
---	--

<b>cULus Recognized</b>	
-------------------------	--

# Device connector, front mounting - SM-5EPWN8AAD00S



1607927

<https://www.phoenixcontact.com/au/products/1607927>

## Classifications

### ECLASS

ECLASS-9.0	27440102
ECLASS-10.0.1	27440102
ECLASS-11.0	27440102

### ETIM

ETIM 8.0	EC002635
----------	----------

### UNSPSC

UNSPSC 21.0	39121400
-------------	----------

# Device connector, front mounting - SM-5EPWN8AAD00S



1607927

<https://www.phoenixcontact.com/au/products/1607927>

## Environmental Product Compliance

China RoHS	Environmentally friendly use period: unlimited = EFUP-e
	No hazardous substances above threshold values

# Device connector, front mounting - SM-5EPWN8AAD00S

1607927

<https://www.phoenixcontact.com/au/products/1607927>

## Accessories

### Crimp contact

Crimp contact - SM-36KP001 - 1605743

<https://www.phoenixcontact.com/au/products/1605743>



Crimp contact, turned, Single contact, contact diameter: 3.6 mm, crimp range: 0.75 mm<sup>2</sup> ... 1.5 mm<sup>2</sup>

---

### Crimp contact

Crimp contact - SM-36KP009 - 1607057

<https://www.phoenixcontact.com/au/products/1607057>



Crimp contact, turned, Single contact, contact diameter: 3.6 mm, crimp range: 1 mm<sup>2</sup> ... 2.5 mm<sup>2</sup>

# Device connector, front mounting - SM-5EPWN8AAD00S

1607927

<https://www.phoenixcontact.com/au/products/1607927>

## Crimp contact

Crimp contact - SM-36KP002 - 1605744

<https://www.phoenixcontact.com/au/products/1605744>



Crimp contact, turned, Single contact, contact diameter: 3.6 mm, crimp range: 1 mm<sup>2</sup> ... 2.5 mm<sup>2</sup>

---

## Crimp contact

Crimp contact - SM-36KP003 - 1605745

<https://www.phoenixcontact.com/au/products/1605745>



Crimp contact, turned, Single contact, contact diameter: 3.6 mm, crimp range: 4 mm<sup>2</sup> ... 6 mm<sup>2</sup>

# Device connector, front mounting - SM-5EPWN8AAD00S

1607927

<https://www.phoenixcontact.com/au/products/1607927>

## Crimp contact

Crimp contact - SM-36KP004 - 1605747

<https://www.phoenixcontact.com/au/products/1605747>



Crimp contact, turned, Single contact, contact diameter: 3.6 mm, crimp range: 6 mm<sup>2</sup> ... 10 mm<sup>2</sup>

---

## Crimp contact

Crimp contact - SF-7RP2000 - 1605646

<https://www.phoenixcontact.com/au/products/1605646>



Crimp contact, turned, Single contact, contact diameter: 2 mm, crimp range: 0.14 mm<sup>2</sup> ... 0.25 mm<sup>2</sup>

# Device connector, front mounting - SM-5EPWN8AAD00S

1607927

<https://www.phoenixcontact.com/au/products/1607927>

## Crimp contact

Crimp contact - SF-7PP2000 - 1605634

<https://www.phoenixcontact.com/au/products/1605634>



Crimp contact, turned, Single contact, contact diameter: 2 mm, crimp range: 0.25 mm<sup>2</sup> ... 1 mm<sup>2</sup>

---

## Crimp contact

Crimp contact - SF-20KP004 - 1607376

<https://www.phoenixcontact.com/au/products/1607376>



Crimp contact, turned, contact diameter: 2 mm, crimp range: 0.75 mm<sup>2</sup> ... 1.5 mm<sup>2</sup>

# Device connector, front mounting - SM-5EPWN8AAD00S

1607927

<https://www.phoenixcontact.com/au/products/1607927>

## Crimp contact

Crimp contact - SF-7QP2000 - 1605639

<https://www.phoenixcontact.com/au/products/1605639>



Crimp contact, turned, Single contact, contact diameter: 2 mm, crimp range: 1 mm<sup>2</sup> ... 2.5 mm<sup>2</sup>

---

## Crimp contact

Crimp contact - SF-7MP2000 - 1605626

<https://www.phoenixcontact.com/au/products/1605626>



Crimp contact, turned, Single contact, contact diameter: 2 mm, crimp range: 4 mm<sup>2</sup> ... 4 mm<sup>2</sup>

# Device connector, front mounting - SM-5EPWN8AAD00S



1607927

<https://www.phoenixcontact.com/au/products/1607927>

## Protective cap

Protective cap - SM-Z0001 - 1605866

<https://www.phoenixcontact.com/au/products/1605866>

Plastic protection cap for connectors with M40 external thread



---

Phoenix Contact 2022 © - all rights reserved

<https://www.phoenixcontact.com>

PHOENIX CONTACT PTY Ltd

Unit 7, 2-8 South Street

Rydalmere NSW 2116

1300 786 411

[customerservice@phoenixcontact.com.au](mailto:customerservice@phoenixcontact.com.au)