

Rear panel feed-through - UC-0000000Q0DU - 1606053


Please be informed that the data shown in this PDF Document is generated from our Online Catalog. Please find the complete data in the user's documentation. Our General Terms of Use for Downloads are valid (<http://phoenixcontact.com/download>)



Rear panel feed-through, straight, Screw locking, M23, Axial O-ring, Central fixing, shielded: yes, cable diameter range: 2 mm ... 14.5 mm

RoHS

Key Commercial Data

Packing unit	1 pc
GTIN	 4 046356 257008
GTIN	4046356257008
Weight per Piece (excluding packing)	107.110 g
Custom tariff number	85366990
Country of origin	Germany

Technical data

General

Note	Order information: Order contact inserts separately
Type of locking	Screw locking
Contact connection method	Crimp connection
Type of contacts	Socket
Conductor entry	2 mm ... 14.5 mm
Pg housing screw connection	none
Mounting type	Central fixing

Ambient conditions

Ambient temperature	-20 °C ... 125 °C
Degree of protection	IP67

Rear panel feed-through - UC-0000000Q0DU - 1606053

Technical data

Material

Housing material	Turned parts: copper zinc alloy (CuZn), die-cast parts: zinc (GD-Zn)
Gasket and O-ring material	FPM

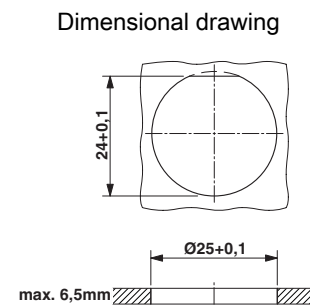
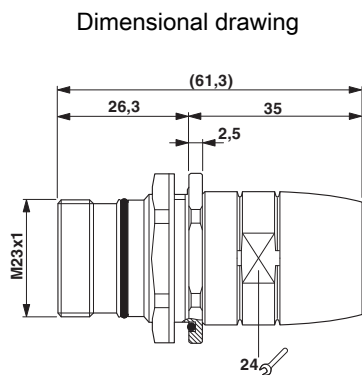
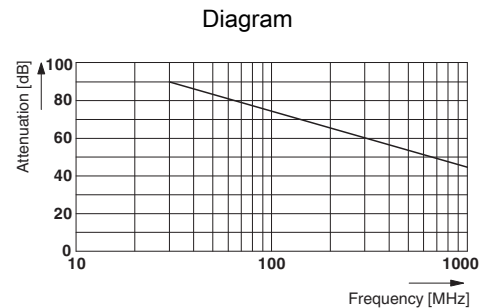
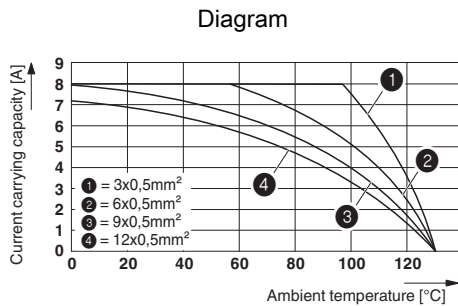
Specifications according to DIN EN 61984:2001

Installation height max.	2000 m
--------------------------	--------

Environmental Product Compliance

REACH SVHC	Lead 7439-92-1
China RoHS	Environmentally Friendly Use Period = 50 years
	For details about hazardous substances go to tab "Downloads", Category "Manufacturer's declaration"

Drawings



Classifications

eCl@ss

eCl@ss 10.0.1	27440312
eCl@ss 11.0	27440312
eCl@ss 4.0	27260700

Rear panel feed-through - UC-0000000Q0DU - 1606053

Classifications

eCl@ss

eCl@ss 4.1	27260700
eCl@ss 5.0	27260700
eCl@ss 5.1	27260700
eCl@ss 6.0	27260700
eCl@ss 7.0	27440312
eCl@ss 9.0	27440312

ETIM

ETIM 3.0	EC001121
ETIM 4.0	EC001121
ETIM 6.0	EC002641
ETIM 7.0	EC002641

UNSPSC

UNSPSC 6.01	43172015
UNSPSC 7.0901	43201404
UNSPSC 11	43172015
UNSPSC 12.01	43201404
UNSPSC 13.2	39121419
UNSPSC 18.0	39121419
UNSPSC 19.0	39121419
UNSPSC 20.0	39121419
UNSPSC 21.0	39121419

Approvals

Approvals

Approvals

EAC

Ex Approvals

Approval details

Rear panel feed-through - UC-0000000Q0DU - 1606053

Approvals

EAC		B.01687
-----	---	---------