


TU-0000000WB00

Order No.: 1605893



<http://catalog.phoenixcontact.net/phoenix/treeViewClick.do?UID=1605893>

Panel mounting base, straight, Bayonet locking, M23, Axial O-ring, 4xØ3,2, shielded: Yes, Panel thickness min.: 1.5 mm, Cable diameter: 0 mm...0 mm

Commercial data	
EAN	 4 046356 255516
Note	Made-to-order
sales group	D300
Pack	20 Pcs.
Customs tariff	85366990
Gross weight in pieces	0.04032 KG
Net weight per piece	0.04032 KG

Product notes

WEEE/RoHS-compliant since:
01/01/2003



<http://www.download.phoenixcontact.com>
Please note that the data given here has been taken from the online catalog. For comprehensive information and data, please refer to the user documentation. The General Terms and Conditions of Use apply to Internet downloads.

Technical data	
General	
Note	Order information Order contact inserts separately
Type of locking	Bayonet locking
Contact connection method	Crimp connection
Type of contacts	Socket
Conductor entry	0 mm ... 0 mm

Mounting type	4xØ3,2
Ambient conditions	
Ambient temperature	-20 °C ... 125 °C
Degree of protection	IP67
Material	
Housing material	Turned parts: copper zinc alloy (CuZn), die-cast parts: zinc (GD-Zn)
Gasket and O-ring material	FPM
Specifications according to DIN EN 61984:2001	
Installation height max.	2000 m

Certificates / Approvals

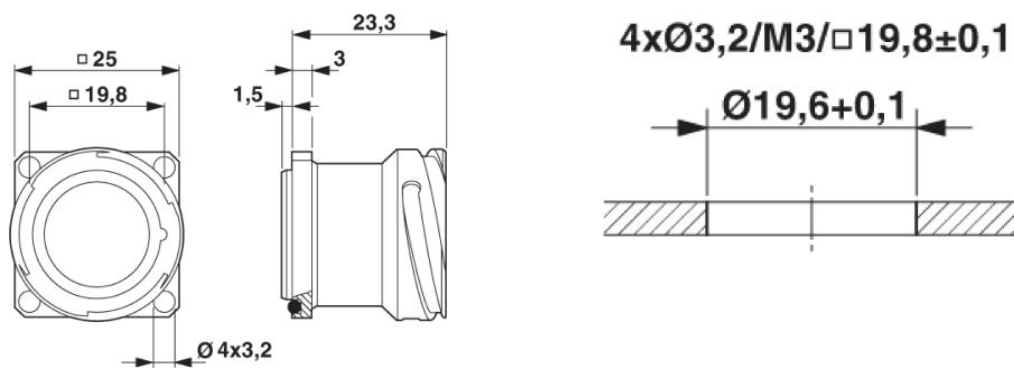
Certification

Certifications applied for:

Certification Ex:

Drawings

Dimensioned drawing



Address

PHOENIX CONTACT Deutschland GmbH
Flachmarktstr. 8
32825 Blomberg, Germany
Phone +49 5235 3 12000
Fax +49 5235 3 41200
<http://www.phoenixcontact.com>



© 2014 Phoenix Contact
Technical modifications reserved;