

Protective cap - SM-Z0001

1605866

<https://www.phoenixcontact.com/pc/products/1605866>

Please be informed that the data shown in this PDF document is generated from our Online Catalog. Please find the complete data in the user documentation. Our General Terms of Use for Downloads are valid.

Plastic protection cap for connectors with M40 external thread



Commercial Data

Item number	1605866
Packing unit	25 pc
Minimum order quantity	25 pc
Product Key	ABRFCA
Catalog Page	Page 181 (C-2-2019)
GTIN	4046356255387
Weight per Piece (including packing)	6.37 g
Weight per Piece (excluding packing)	6.37 g
Customs tariff number	39235090
Country of origin	DE

Protective cap - SM-Z0001

1605866

<https://www.phoenixcontact.com/pc/products/1605866>



Technical Data

Product properties

Product type	Protective cover
Locking type	M40
Series	SM

Environmental and real-life conditions

Ambient conditions

Degree of protection	IP40
----------------------	------

Protective cap - SM-Z0001

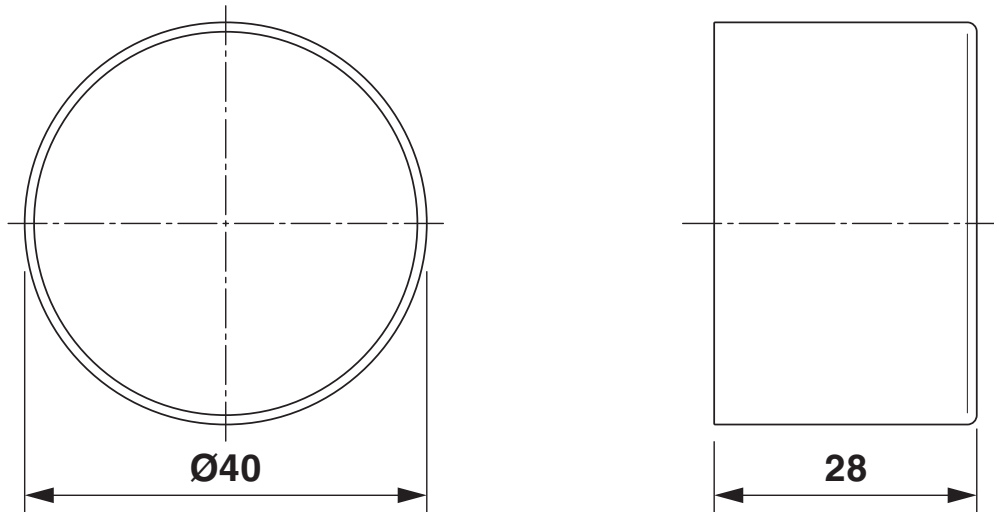
1605866

<https://www.phoenixcontact.com/pc/products/1605866>



Drawings

Dimensional drawing



Protective cap - SM-Z0001

1605866

<https://www.phoenixcontact.com/pc/products/1605866>



Classifications

ECLASS

ECLASS-9.0	27440312
ECLASS-10.0.1	27440312
ECLASS-11.0	27440312

ETIM

ETIM 8.0	EC002641
----------	----------

UNSPSC

UNSPSC 21.0	39121400
-------------	----------

Protective cap - SM-Z0001

1605866

<https://www.phoenixcontact.com/pc/products/1605866>



Environmental Product Compliance

China RoHS	Environmentally friendly use period: unlimited = EFUP-e No hazardous substances above threshold values
------------	---

Phoenix Contact 2022 © - all rights reserved
<https://www.phoenixcontact.com>

PHOENIX CONTACT GmbH & Co. KG
Flachmarktstraße 8
D-32825 Blomberg
+49 (0) 5235-3 00
info@phoenixcontact.com