

## HC-D 25-TFL-72/O1M25S


Order No.: 1604969



<http://eshop.phoenixcontact.de/phoenix/treeViewClick.do?UID=1604969>

HEAVYCON sleeve housing D25, for single locking latch, height 72 mm, with support 1 M25, lateral conductor exit

### Commercial data

GTIN (EAN)	 4 017918 881573
sales group	D011
Pack	10 pcs.
Customs tariff	85389099
Catalog page information	Page 575 (PC-2011)

### Product notes

WEEE/RoHS-compliant since:  
01/31/2006



<http://www.download.phoenixcontact.com>  
Please note that the data given here has been taken from the online catalog. For comprehensive information and data, please refer to the user documentation. The General Terms and Conditions of Use apply to Internet downloads.

### Technical data

#### General data

Note	For contact inserts HC-D25, A16
Design	D25
Height	72 mm
Width	36 mm

Length	79.5 mm
Housing type	Sleeve housings
Locking type	for single locking latch
No. of cable exits	1
Cable exit	Lateral
Pg screw connection	None
Type of the screw connection	1x M25
Degree of protection	IP65
Ambient temperature (operation)	-40 °C ... 125 °C
Housing material	Aluminum, die-cast
Housing surface material	Powder-coated, gray
Seal material	NBR

### Certificates / Approvals

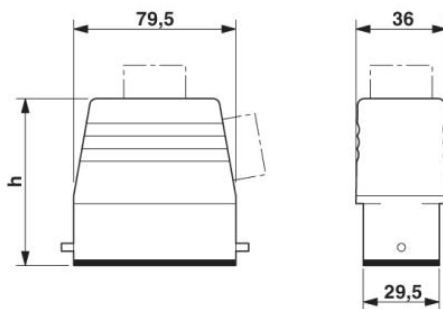


Certification

GOST

### Diagrams/Drawings

Dimensioned drawing



**Address**

PHOENIX CONTACT Inc., USA  
586 Fulling Mill Road  
Middletown, PA 17057, USA  
Phone (800) 888-7388  
Fax (717) 944-1625  
<http://www.phoenixcon.com>



© 2011 Phoenix Contact  
Technical modifications reserved;