

## Housing - HC-D 7-TFL-48/O1M20S - 1604891


Please be informed that the data shown in this PDF Document is generated from our Online Catalog. Please find the complete data in the user's documentation. Our General Terms of Use for Downloads are valid (<http://phoenixcontact.com/download>)



HEAVYCON sleeve housing D7, for single locking latch, height 48 mm, with gland, lateral cable outlet, zinc die-cast



### Key Commercial Data

Packing unit	1 pc
Minimum order quantity	10 pc
GTIN	 4 017918 881474
GTIN	4017918881474
Weight per Piece (excluding packing)	61.930 g
Custom tariff number	85389099
Country of origin	Germany

### Technical data

#### Dimensions

Height	48 mm
Width	36.5 mm
Length	26.5 mm

#### Ambient conditions

Degree of protection of housing (IP)	IP54
	IP65 (with sealing screw)
Ambient temperature (operation)	-40 °C ... 125 °C

#### General

Note	for contact inserts HC-A03, A04, D07, D08, Q02, Q03, Q04, Q05, Q07, Q12
------	---

## Housing - HC-D 7-TFL-48/O1M20S - 1604891

### Technical data

#### General

Size	D7
Housing type	Sleeve housing
Locking type	for single locking latch
No. of cable outlets	1
Cable outlet	lateral
Screw connection	none
Type of the screw connection	1x M20
Housing material	Zinc die-cast
Housing surface material	Powder-coated, gray

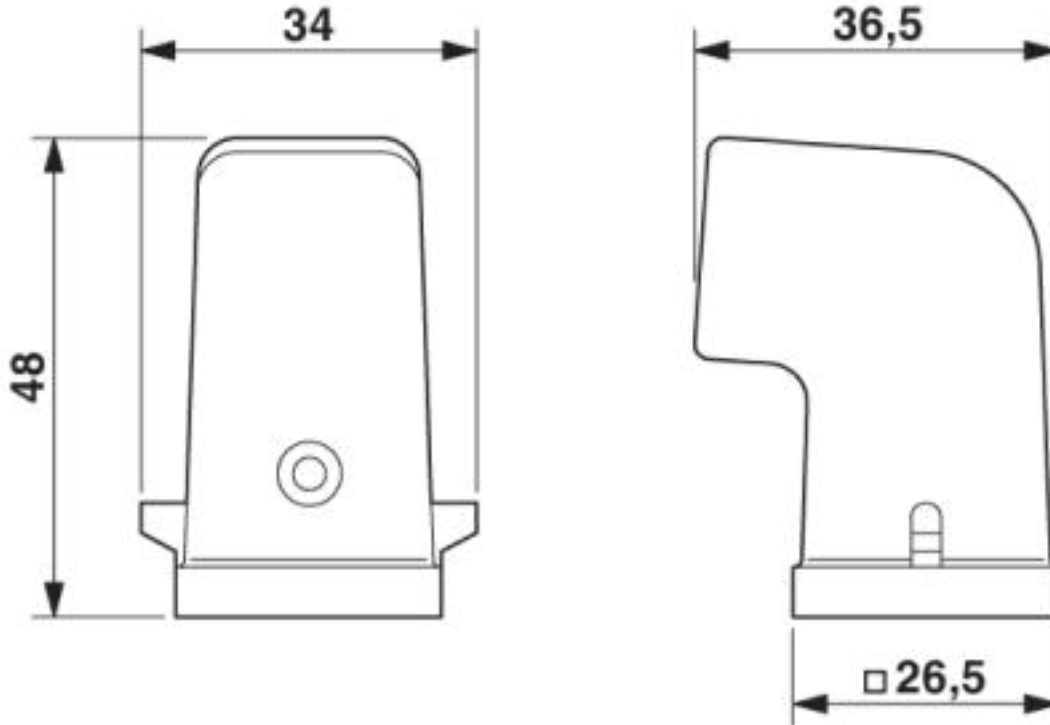
#### Environmental Product Compliance

China RoHS	Environmentally friendly use period: unlimited = EFUP-e
	No hazardous substances above threshold values

### Drawings

# Housing - HC-D 7-TFL-48/O1M20S - 1604891

Dimensional drawing



Mounting cutout

## Classifications

eCl@ss

eCl@ss 10.0.1	27440202
eCl@ss 4.0	27140800
eCl@ss 4.1	27140800
eCl@ss 5.0	27143400
eCl@ss 5.1	27261200
eCl@ss 6.0	27261200
eCl@ss 7.0	27440202
eCl@ss 8.0	27440202
eCl@ss 9.0	27440202

ETIM

ETIM 2.0	EC000437
ETIM 3.0	EC000437
ETIM 4.0	EC000437

# Housing - HC-D 7-TFL-48/O1M20S - 1604891

## Classifications

### ETIM

ETIM 5.0	EC000437
ETIM 6.0	EC000437
ETIM 7.0	EC000437

### UNSPSC

UNSPSC 6.01	31261502
UNSPSC 7.0901	31261502
UNSPSC 11	31261502
UNSPSC 12.01	31261502
UNSPSC 13.2	31261501

## Approvals

### Approvals

---

Approvals

EAC / DNV GL

---

Ex Approvals

---

### Approval details

EAC		RU C- DE.AI30.B.01102
-----	--	--------------------------

DNV GL		<a href="https://approvalfinder.dnvgl.com/">https://approvalfinder.dnvgl.com/</a>	TAE000037S
--------	--	---	------------

## Accessories

Accessories

Extension adapter

## Housing - HC-D 7-TFL-48/O1M20S - 1604891

### Accessories

Extension adapter - ENLAR-M-KV-M20/M25 - 1647666



Step-up adapter, M20 to M25, including O-ring

---

### Full screw connection

Cable gland - G-INS-M20-S68N-PNES-GY - 1411125



Cable gland, cable gland material: PA, external cable diameter 6 mm ... 12 mm, shielding: no, connecting thread: M20 x 1.5, color: silver-gray RAL 7001

---

Cable gland - G-INS-M20-S68N-PNES-BK - 1411133



Cable gland, cable gland material: PA, external cable diameter 6 mm ... 12 mm, shielding: no, connecting thread: M20 x 1.5, color: jet black RAL 9005

---

Cable gland - G-INS-M20-S68N-NNES-S - 1411163



Cable gland, cable gland material: Nickel-plated brass, external cable diameter 6 mm ... 12 mm, shielding: no, connecting thread: M20 x 1.5, color: silver, with O-ring

---

Cable gland - HC-M-KV-M20(11-16) - 1645998



Metal screw connection up to 5 bar, thread length: 6 mm, cable diameter: 11 - 16 mm, WAF 27, screw connection: M20

---

## Housing - HC-D 7-TFL-48/O1M20S - 1604891

### Accessories

Cable gland - G-INSEC-M20-S68N-NCRS-S - 1411189



Cable gland, cable gland material: Nickel-plated brass, external cable diameter 9 mm ... 13 mm, shielding: yes, connecting thread: M20 x 1.5, color: silver, with O-ring

---

Cable gland - HC-M-KV-Z-M20 - 1646146



Metal screw connection with strain relief clamp, thread length: 6 mm, cable sealing area: 7.5 - 15 mm, clamping area: 11 - 17 mm, SW 24, screw connection: M20

---

Cable gland - HC-M-KV-T-M20 - 1646188



Metal screw connection with cable bend protection and strain relief, thread length: 6 mm, cable sealing area: 7.5 - 15 mm, clamping area: 10 - 16 mm, SW 24, screw connection: M20

---

### Mounting material

Sealing screw - HC-D 7-DS-IP65 - 1686229



Sealing screw, size: Countersunk head, IP67, replacement part for D7 size HEAVYCON housing

---

### Plug for cable screw gland

Screw plug - HC-M-BS-M20 - 1645846



Filler plug, metal, size: M20

## Housing - HC-D 7-TFL-48/O1M20S - 1604891

### Accessories

---

#### Reducing adapter

Reducing adapter - REDUC-M-KV-M20/M16 - 1647611



Reducing adapter, material: Brass, nickel-plated, connecting thread: M20 x 1.5, color: silver, with O-ring

---