

EMC housing - HC-B 6-TMB-100/O1STM25S-EMV



1604243

<https://www.phoenixcontact.com/pc/products/1604243>

Please be informed that the data shown in this PDF document is generated from our Online Catalog. Please find the complete data in the user documentation. Our General Terms of Use for Downloads are valid.



HEAVYCON ADVANCE EMV sleeve housing B6, with bayonet locking, height 100 mm, with 1xM25 thread, lateral cable outlet

1604243

<https://www.phoenixcontact.com/pc/products/1604243>

Commercial Data

Item number	1604243
Packing unit	10 pc
Minimum order quantity	1 pc
Product Key	BF7AAA
Catalog Page	Page 478 (PC-2009)
GTIN	4017918947927
Weight per Piece (including packing)	317.63 g
Weight per Piece (excluding packing)	307.12 g
Customs tariff number	85389099
Country of origin	DE

1604243

<https://www.phoenixcontact.com/pc/products/1604243>

Technical Data

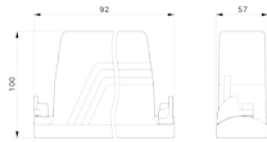
Notes

General	For contact inserts HC-B6, BB10, DD24, M
---------	------------------------------------------

Product properties

Type	B6
Product type	Housing with bayonet locking
Application	EMC
No. of cable outlets	1
Type of the screw connection	1x M25
Housing type	Sleeve housing
Locking type	Bayonet locking
Cable outlet	lateral

Dimensions

Dimensional drawing	
Width	57 mm
Height	100 mm
Length	92 mm

Installation dimensions

Width of the assembly cutout	35 mm
Length of the assembly cutout	52 mm

Material specifications

Color	gray
Sealing material	NBR, conductive
Housing surface material	Powder coating
Material grip body interlock	PA-GF
Housing material	die-cast aluminum

Ambient conditions

Degree of protection	IP65 IP67
Ambient temperature (operation)	-40 °C ... 125 °C

Mechanical properties

Mechanical data

Type of the screw connection	1x M25
------------------------------	--------

1604243

<https://www.phoenixcontact.com/pc/products/1604243>

Locking type	Screw
--------------	-------

Mounting

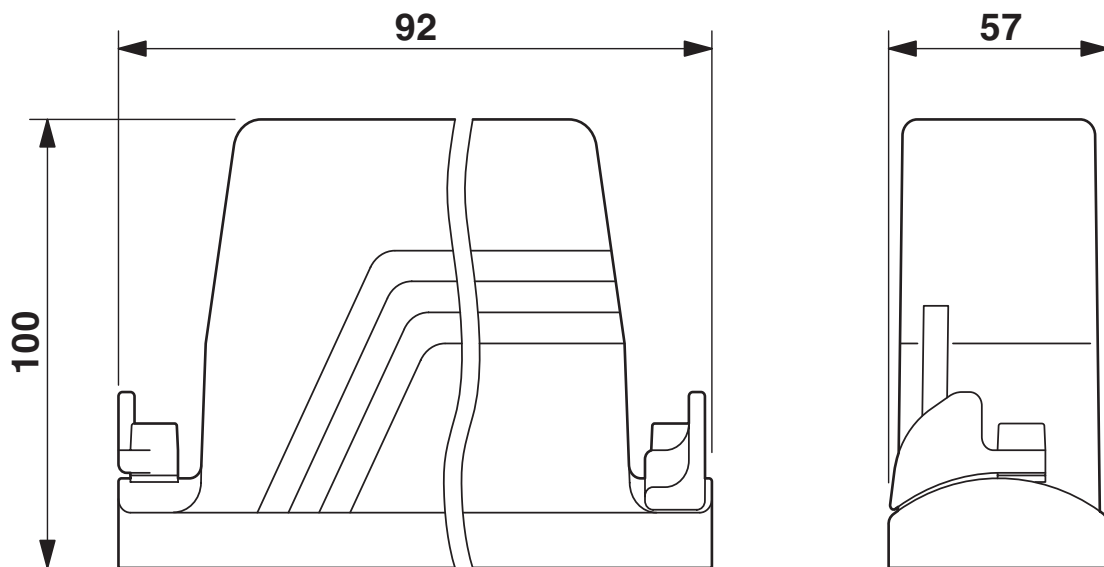
Assembly instructions	In order to guarantee that the ground conductor contact functions even when plugged in at an angle, the two panel mounting flanges must have sufficient electrical contact with the metal mounting panel.
	If insulating powder coating is present on the control cabinet panel, it should be removed from the profile gasket area in order to ensure optimum shielding.

1604243

<https://www.phoenixcontact.com/pc/products/1604243>

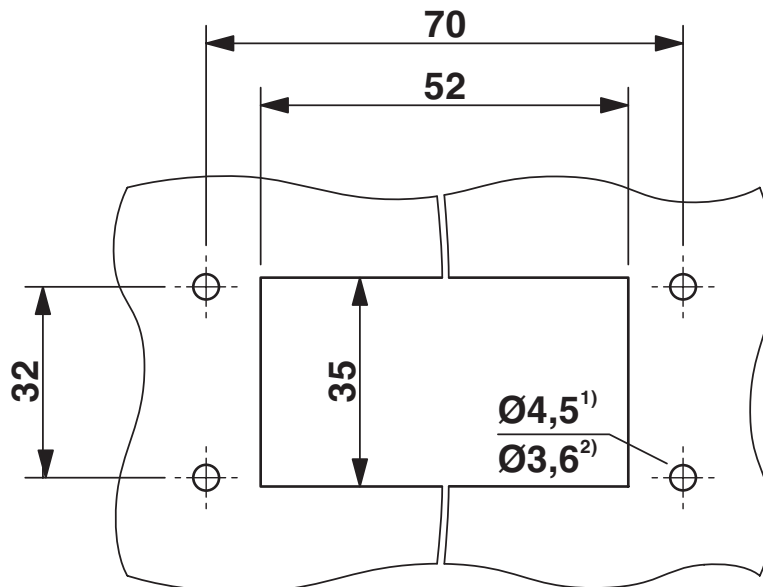
Drawings

Dimensional drawing



Dimensional drawing

Dimensional drawing



Mounting cutout

1) when M4 screws are used

2) when self-tapping Torx® screws are used (Torx® 20, M4)

EMC housing - HC-B 6-TMB-100/O1STM25S-EMV



1604243

<https://www.phoenixcontact.com/pc/products/1604243>

Approvals



EAC

Approval ID: RU C-DE.AI30.B.01102

1604243

<https://www.phoenixcontact.com/pc/products/1604243>

Classifications

ECLASS

ECLASS-9.0	27440202
ECLASS-10.0.1	27440202
ECLASS-11.0	27440202

ETIM

ETIM 8.0	EC000437
----------	----------

UNSPSC

UNSPSC 21.0	31261500
-------------	----------

1604243

<https://www.phoenixcontact.com/pc/products/1604243>

Environmental Product Compliance

China RoHS	Environmentally friendly use period: unlimited = EFUP-e
	No hazardous substances above threshold values

1604243

<https://www.phoenixcontact.com/pc/products/1604243>

Accessories

Mounting flange

Mounting flange - HC-B-BF - 1604641

<https://www.phoenixcontact.com/pc/products/1604641>



Panel mounting flange for HEAVYCON ADVANCE TMB housing with bayonet locking

Screw connection

Screw connection - WP-G HF IP66 M25 BK - 3240899

<https://www.phoenixcontact.com/pc/products/3240899>



Cable gland, metric thread, IP66 protection, straight

1604243

<https://www.phoenixcontact.com/pc/products/1604243>

Mounting flange

Mounting flange - HC-B-BF-SET - 1604654

<https://www.phoenixcontact.com/pc/products/1604654>

Bayonet mounting flange set, consisting of 2 mounting flanges with 4 self-tapping Torx® head screws and 4 fan-type spacers



Screw connection

Screw connection - WP-G HF IP69K M25 BK - 3240885

<https://www.phoenixcontact.com/pc/products/3240885>

Cable gland, metric thread, IP68/69k protection, straight



1604243

<https://www.phoenixcontact.com/pc/products/1604243>

Protective cover

Protective cover - HC-B 6-TMB-SD-IP65 - 1690930

<https://www.phoenixcontact.com/pc/products/1690930>



HEAVYCON ADVANCE IP65 protective cover B6, with bayonet locking, with retaining cord, diameter of retaining cord eyelet 3 mm

Screw connection

Screw connection - WP-GA HF IP66 M25 BK - 3240927

<https://www.phoenixcontact.com/pc/products/3240927>



Cable gland, metric thread, IP66 protection, angled

1604243

<https://www.phoenixcontact.com/pc/products/1604243>

Cable gland

Cable gland - G-INS-M25-M68N-PNES-GY - 1411126

<https://www.phoenixcontact.com/pc/products/1411126>



Cable gland, cable gland material: PA, external cable diameter 11 mm ... 17 mm, shielding: no, connecting thread: M25 x 1.5, color: silver-gray RAL 7001

Screw connection

Screw connection - WP-GA HF IP69K M25 BK - 3240913

<https://www.phoenixcontact.com/pc/products/3240913>



Cable gland, metric thread, IP68/69k protection, angled

1604243

<https://www.phoenixcontact.com/pc/products/1604243>

Cable gland

Cable gland - G-INS-M25-M68N-PNES-BK - 1411134

<https://www.phoenixcontact.com/pc/products/1411134>



Cable gland, cable gland material: PA, external cable diameter 11 mm ... 17 mm, shielding: no, connecting thread: M25 x 1.5, color: jet black RAL 9005

Screw connection

Screw connection - WP-GR HF IP66 M25 BK - 3240955

<https://www.phoenixcontact.com/pc/products/3240955>



Cable gland, metric thread, IP66 protection, with strain relief

1604243

<https://www.phoenixcontact.com/pc/products/1604243>

Cable gland

Cable gland - G-INS-M25-M68N-NNES-S - 1411165

<https://www.phoenixcontact.com/pc/products/1411165>



Cable gland, cable gland material: Nickel-plated brass, external cable diameter 11 mm ... 17 mm, shielding: no, connecting thread: M25 x 1.5, color: silver, with O-ring

Screw connection

Screw connection - WP-GR HF IP69K M25 BK - 3240941

<https://www.phoenixcontact.com/pc/products/3240941>



Cable gland, metric thread, IP68/69k protection, with strain relief

1604243

<https://www.phoenixcontact.com/pc/products/1604243>

Cable gland

Cable gland - HC-M-KV-M25(14-21) - 1646007

<https://www.phoenixcontact.com/pc/products/1646007>



Metal screw connection up to 5 bar, thread length: 7 mm, cable diameter: 14 - 21 mm, WAF 34, screw connection: M25

Screw connection

Screw connection - WP-G PP HF M25 - 3240999

<https://www.phoenixcontact.com/pc/products/3240999>



Cable gland made from PP with metric thread, IP65 protection

1604243

<https://www.phoenixcontact.com/pc/products/1604243>

Cable gland

Cable gland - G-INSEC-M25-S68N-NCRS-S - 1411190

<https://www.phoenixcontact.com/pc/products/1411190>



Cable gland, cable gland material: Nickel-plated brass, external cable diameter 11 mm ... 16 mm, shielding: yes, connecting thread: M25 x 1.5, color: silver, with O-ring

Screw connection

Screw connection - WP-GT PP HF M25 - 3241013

<https://www.phoenixcontact.com/pc/products/3241013>



Cable gland made from PP with metric thread, rotatable, IP54 protection

1604243

<https://www.phoenixcontact.com/pc/products/1604243>

Cable gland

Cable gland - G-INESR-M25-M68N-NEPDS-S - 1415193

<https://www.phoenixcontact.com/pc/products/1415193>



Cable gland, cable gland material: Nickel-plated brass, external cable diameter 9 mm ... 17 mm, shielding: no, connecting thread: M25 x 1.5, color: silver, with external strain relief, with O-ring

Screw connection

Screw connection - WP-G BRASS IP40 M25 - 3241048

<https://www.phoenixcontact.com/pc/products/3241048>



Cable gland made from brass with metric thread, IP40 protection

1604243

<https://www.phoenixcontact.com/pc/products/1604243>

Cable gland

Cable gland - HC-M-KV-T-M25 - 1646191

<https://www.phoenixcontact.com/pc/products/1646191>

Metal screw connection with cable bend protection and strain relief, thread length: 7 mm, cable sealing area: 10 - 19 mm, clamping area: 14 - 21 mm, SW 30, screw connection: M25



Screw connection

Screw connection - WP-GT BRASS M25 - 3241034

<https://www.phoenixcontact.com/pc/products/3241034>

Cable gland made from brass with metric thread, rotatable, IP40 protection



1604243

<https://www.phoenixcontact.com/pc/products/1604243>

Reducing adapter

Reducing adapter - REDUC-M-KV-M25/M20 - 1647624

<https://www.phoenixcontact.com/pc/products/1647624>

Reducing adapter, material: Brass, nickel-plated, connecting thread: M25 x 1.5, color: silver, with O-ring



Screw connection

Screw connection - WP-G BRASS IP65 M25 - 3241062

<https://www.phoenixcontact.com/pc/products/3241062>

Cable gland made from brass with metric thread, IP65 protection



1604243

<https://www.phoenixcontact.com/pc/products/1604243>

Extension adapter

Extension adapter - ENLAR-M-KV-M25/M32 - 1647679

<https://www.phoenixcontact.com/pc/products/1647679>

Step-up adapter, M25 to M32, including O-ring



Screw plug

Screw plug - HC-M-BS-M25 - 1645859

<https://www.phoenixcontact.com/pc/products/1645859>

Screw plug, cable gland material: Nickel-plated brass, connecting thread: M25 x 1.5, color: silver



Phoenix Contact 2022 © - all rights reserved
<https://www.phoenixcontact.com>

PHOENIX CONTACT GmbH & Co. KG
Flachsmarktstraße 8
D-32825 Blomberg
+49 (0) 5235-3 00
info@phoenixcontact.com