

# RC-12P1NA20000 - Contact insert



1597643

<https://www.phoenixcontact.com/pc/products/1597643>

Please be informed that the data shown in this PDF document is generated from our Online Catalog. Please find the complete data in the user documentation. Our General Terms of Use for Downloads are valid.



Contact insert, number of positions: 12, type of contact: Pin, Solder-in connection, Alternative product in accordance with RoHS II without Exemption 6c (Pb <0.1%) item no.: 1240865

## Commercial Data

Item number	1597643
Packing unit	10 pc
Minimum order quantity	10 pc
Product Key	ABRADM
GTIN	4046356217279
Weight per Piece (including packing)	13.4 g
Weight per Piece (excluding packing)	11.613 g
Customs tariff number	85366990
Country of origin	DE

# RC-12P1NA20000 - Contact insert



1597643

<https://www.phoenixcontact.com/pc/products/1597643>

## Technical Data

### Product properties

Product type	Contact insert
Number of positions	12
Connection profile	12
Application	Signal
Series	RC TU
Coding	N

### Electrical properties

#### Contact

Contact diameter	1 mm
Max. current	8 A
Overvoltage category	III
Degree of pollution	3
Rated surge voltage	1.5 kV

### Material specifications

Insulator material	PBT
Contact material	CuZn
Contact surface	Nickel-plated, gold coating

### Connector

Direction of rotation	Standard
-----------------------	----------

### Mechanical properties

#### Mechanical data

Insertion/withdrawal cycles	50
-----------------------------	----

# RC-12P1NA20000 - Contact insert



1597643

<https://www.phoenixcontact.com/pc/products/1597643>

## Drawings

Schematic diagram



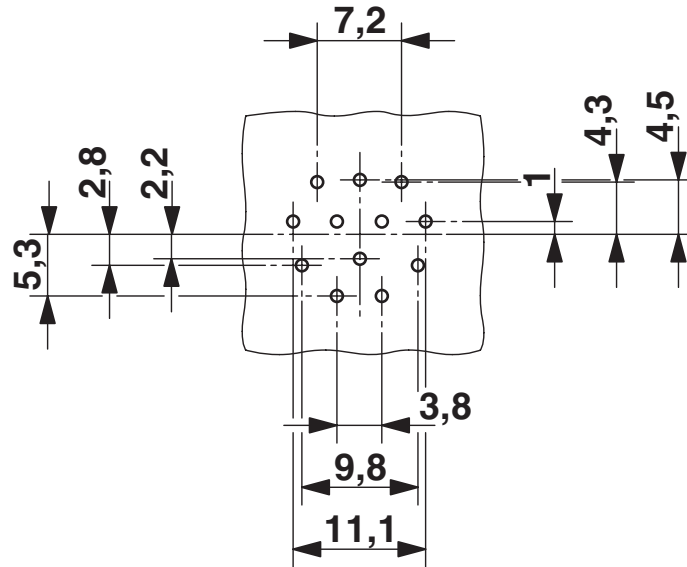
# RC-12P1NA20000 - Contact insert



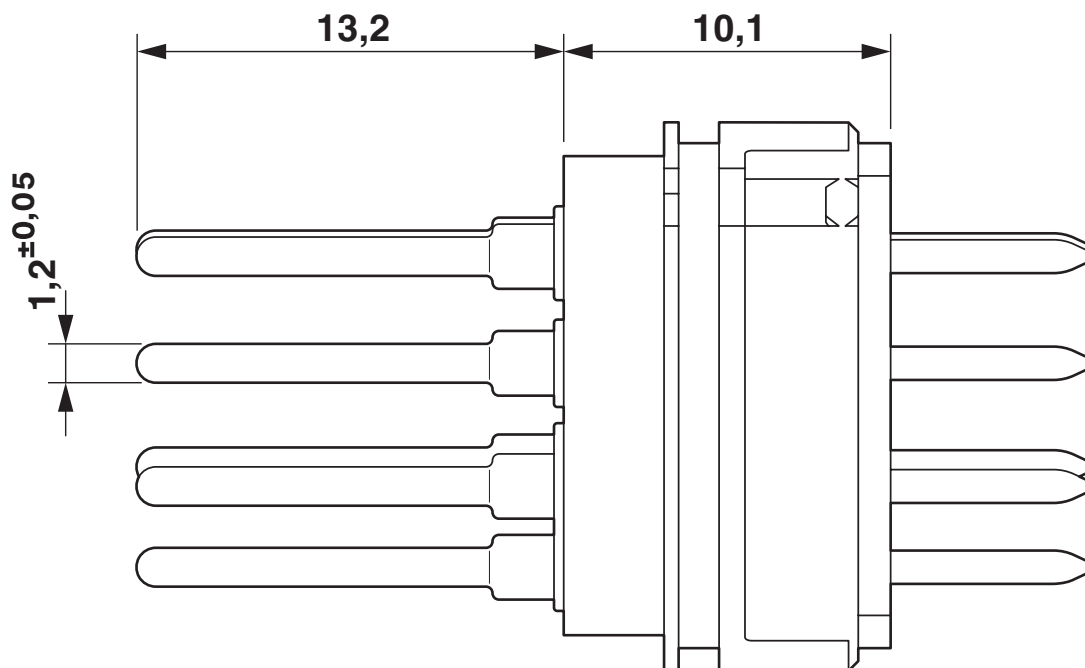
1597643

<https://www.phoenixcontact.com/pc/products/1597643>

Drilling plan/solder pad geometry



Dimensional drawing



# RC-12P1NA20000 - Contact insert



1597643

<https://www.phoenixcontact.com/pc/products/1597643>

## Classifications

### ECLASS

ECLASS-9.0	27440205
ECLASS-10.0.1	27440205
ECLASS-11.0	27440223

### ETIM

ETIM 8.0	EC003557
----------	----------

### UNSPSC

UNSPSC 21.0	39121400
-------------	----------

# RC-12P1NA20000 - Contact insert



1597643

<https://www.phoenixcontact.com/pc/products/1597643>

## Environmental Product Compliance

REACH SVHC	Lead 7439-92-1
China RoHS	Environmentally Friendly Use Period = 50 years
	For information on hazardous substances, refer to the manufacturer's declaration available under "Downloads"

Phoenix Contact 2023 © - all rights reserved

<https://www.phoenixcontact.com>

PHOENIX CONTACT GmbH & Co. KG

Flachsmarktstraße 8

D-32825 Blomberg

+49 (0) 5235-3 00

[info@phoenixcontact.com](mailto:info@phoenixcontact.com)