


RC-0000000E000

Order No.: 1592813



<http://catalog.phoenixcontact.net/phoenix/treeViewClick.do?UID=1592813>

Panel mounting base, straight, Screw locking, M23, Radial O-ring, 4xM3, shielded: Yes, Panel thickness min.: 3 mm, Panel thickness max.: 10.5 mm

Commercial data	
EAN	4  046356 192897
Note	Made-to-order
sales group	D300
Pack	40 Pcs.
Customs tariff	85366990
Gross weight in pieces	0.037775 KG
Net weight per piece	0.037775 KG

Product notes

WEEE/RoHS-compliant since: 01/01/2003



<http://www.download.phoenixcontact.com>
Please note that the data given here has been taken from the online catalog. For comprehensive information and data, please refer to the user documentation. The General Terms and Conditions of Use apply to Internet downloads.

Technical data	
General	
Note	Order information Order contact inserts separately
Type of locking	Screw locking
Mounting type	4xM3

Ambient conditions

Ambient temperature	-20 °C ... 125 °C
Degree of protection	IP67

Material

Housing material	Turned parts: copper zinc alloy (CuZn), die-cast parts: zinc (GD-Zn)
Gasket and O-ring material	FPM

Specifications according to DIN EN 61984:2001

Installation height max.	2000 m
--------------------------	--------

Certificates / Approvals

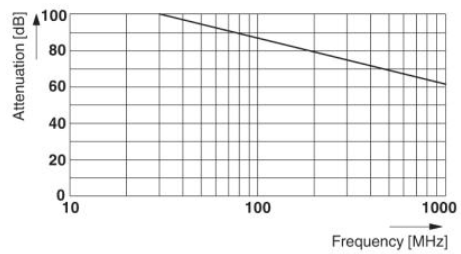
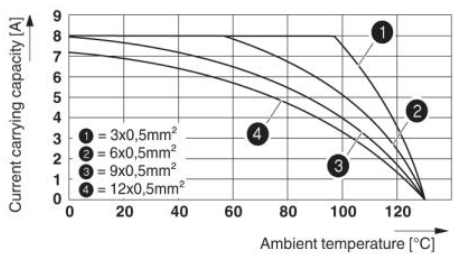
Certification

Certifications applied for:

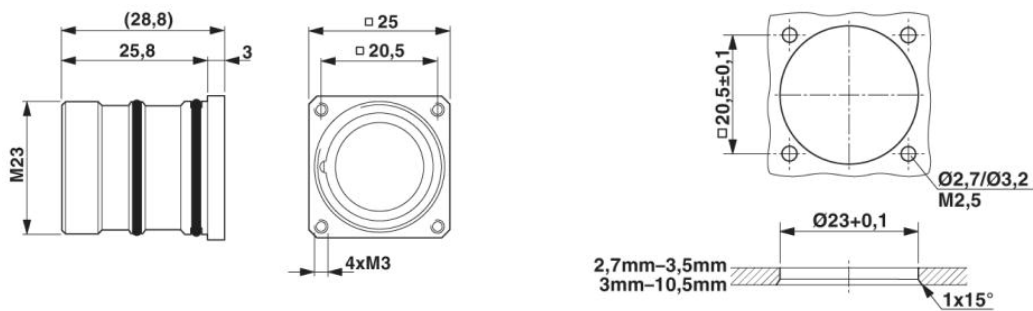
Certification Ex:

Drawings

Diagram



Dimensioned drawing



Address

PHOENIX CONTACT Deutschland GmbH
Flachmarktstr. 8
32825 Blomberg, Germany
Phone +49 5235 3 12000
Fax +49 5235 3 41200
<http://www.phoenixcontact.com>



© 2014 Phoenix Contact
Technical modifications reserved;