

Washer - HC-MOD-ANDOCK-USCH - 1587496


Please be informed that the data shown in this PDF Document is generated from our Online Catalog. Please find the complete data in the user's documentation. Our General Terms of Use for Downloads are valid (<http://phoenixcontact.com/download>)



Special washer for floating mounting of docking frame



Key Commercial Data

Packing unit	1 pc
Minimum order quantity	20 pc
GTIN	 4 046356 526418
GTIN	4046356526418
Custom tariff number	73182200
Country of origin	Germany

Technical data

General

Material	Zinc die-cast
----------	---------------

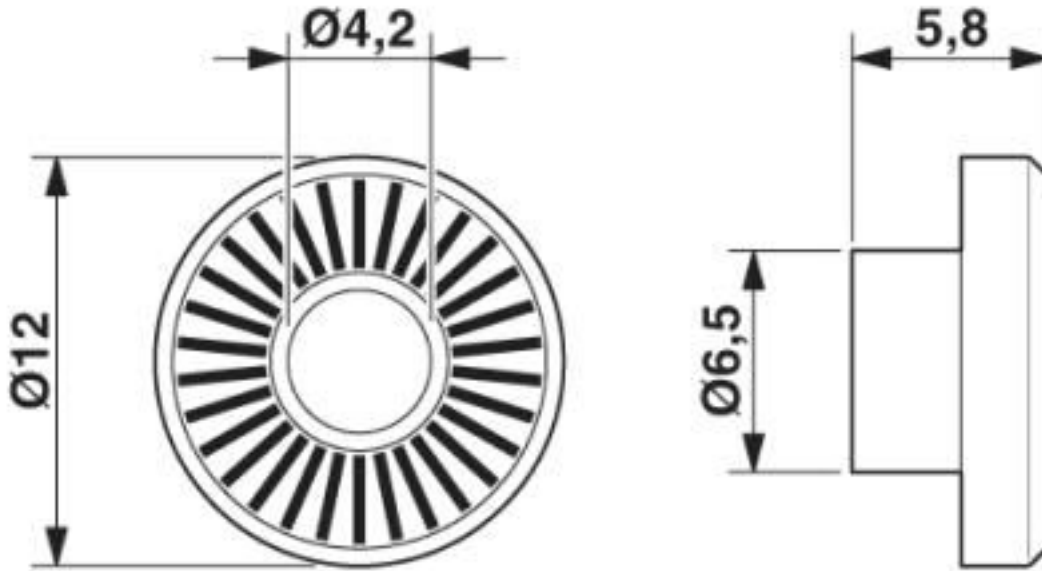
Environmental Product Compliance

China RoHS	Environmentally friendly use period: unlimited = EFUP-e
	No hazardous substances above threshold values

Drawings

Washer - HC-MOD-ANDOCK-USCH - 1587496

Dimensional drawing



Dimensional drawing

Classifications

eCl@ss

eCl@ss 10.0.1	27440192
eCl@ss 4.0	23090101
eCl@ss 4.1	23090101
eCl@ss 5.0	23090101
eCl@ss 5.1	23090101
eCl@ss 6.0	23090101
eCl@ss 7.0	23090101
eCl@ss 8.0	23090101
eCl@ss 9.0	27440192

ETIM

ETIM 2.0	EC000098
ETIM 3.0	EC000098
ETIM 4.0	EC000098
ETIM 5.0	EC000098
ETIM 6.0	EC000098
ETIM 7.0	EC000098

Washer - HC-MOD-ANDOCK-USCH - 1587496

Classifications

UNSPSC

UNSPSC 6.01	31161807
UNSPSC 7.0901	31161807
UNSPSC 11	31161807
UNSPSC 12.01	31161807
UNSPSC 13.2	31161807
UNSPSC 18.0	39121421
UNSPSC 19.0	39121421
UNSPSC 20.0	39121421
UNSPSC 21.0	39121421