

## Connector - QPD P 3PE2,5 9-14 BK - 1582205

Please be informed that the data shown in this PDF Document is generated from our Online Catalog. Please find the complete data in the user's documentation. Our General Terms of Use for Downloads are valid (<http://phoenixcontact.com/download>)



QUICKON connector, black, 3+PE-pos., 1.0 mm<sup>2</sup> ... 2.5 mm<sup>2</sup>/630 V/20 A, with QUICKON nut, for cables with a diameter of 9 mm ... 14 mm.

### Product Features

- Innovative and time saving - QUICKON fast connection for time saving of up to 80 % for on-site connection
- Convenient: quick and easy assembly without special tools
- Robust throughout: housing with IP68/IP69K and IK07 protection for a wide range of applications
- Safer connection thanks to polarization against mismatching and touch-proof protection according to DIN EN 0105
- Easy maintenance - the connectors enable fast device replacement and simplify startup thanks to pre-assembled cables



### Key Commercial Data

Packing unit	1 pc
Weight per Piece (excluding packing)	37.7 g
Custom tariff number	85366990
Country of origin	Germany

### Technical data

#### General

Type	QPD 4x2,5
Color	black
Locking type	Screw locking
Connection method	QUICKON connection
	IDC connection
Number of positions	4
Note number of positions	3+PE
Wrench size, union nut	22 mm
Tightening torque, union nut	5 Nm

# Connector - QPD P 3PE2,5 9-14 BK - 1582205

## Technical data

### General

Number of connections	4
Conductor cross section flexible min.	1 mm <sup>2</sup>
Conductor cross section flexible max.	2.5 mm <sup>2</sup>
Conductor cross section solid min.	1 mm <sup>2</sup>
Conductor cross section solid max.	2.5 mm <sup>2</sup>
Conductor cross section AWG min.	16
Conductor cross section AWG max.	14

### Cabel

Structure of individual litz in acc. with VDE 0295 / smallest wire diameter	VDE 0295 class 1 to 6/min. 0.15 mm
Wire insulation material	PVC/PE/TPE/rubber
Wire diameter including insulation	2.5 mm ... 3.8 mm
External cable diameter	9 mm ... 14 mm

### Ambient conditions

Degree of protection	IP68 ()
	IP69K
Ambient temperature (operation)	-40 °C ... 80 °C
Ambient temperature (storage/transport)	-40 °C ... 80 °C
Temperature when conductor connected	-5 °C ... 50 °C

### Electrical characteristics

Nominal current I <sub>N</sub>	20 A
Rated current	20 A
Rated voltage (III/3)	690 V
Rated voltage (III/2)	1000 V
Rated voltage (II/2)	1000 V
Rated surge voltage (III/3)	6 kV
Rated surge voltage (III/2)	8 kV
Rated surge voltage (II/2)	8 kV

### Mechanical characteristics

QUICKON connectability	max. 10
Insertion/withdrawal cycles	50

### Material data

Contact material	Cu
Contact surface material	silver-plated
Contact carrier material	PA
Insulating material	PA

# Connector - QPD P 3PE2,5 9-14 BK - 1582205

## Technical data

### Material data

Flammability rating according to UL 94	V0
Overvoltage category	III
Degree of pollution	3

### Standards and Regulations

Flammability rating according to UL 94	V0
--	----

## Classifications

### eCl@ss

eCl@ss 4.0	27140815
eCl@ss 4.1	27140815
eCl@ss 5.0	27143423
eCl@ss 5.1	27143423
eCl@ss 6.0	27143423
eCl@ss 7.0	27449001
eCl@ss 8.0	27440605

### ETIM

ETIM 2.0	EC001297
ETIM 3.0	EC000516
ETIM 4.0	EC000516
ETIM 5.0	EC002560

### UNSPSC

UNSPSC 6.01	30211923
UNSPSC 7.0901	39121522
UNSPSC 11	39121522
UNSPSC 12.01	39121522
UNSPSC 13.2	39121522

## Approvals

### Approvals

---

### Approvals

VDE Zeichengenehmigung / UL Listed / cUL Listed / EAC / EAC / UL Listed / cUL Listed / GL / cULus Listed

---


# Connector - QPD P 3PE2,5 9-14 BK - 1582205


## Approvals


Ex Approvals

Approvals submitted

### Approval details

VDE Zeichengenehmigung 	
mm <sup>2</sup> /AWG/kcmil	1.0-2.5
Nominal current I <sub>N</sub>	20 A
Nominal voltage U <sub>N</sub>	690 V

UL Listed 	
mm <sup>2</sup> /AWG/kcmil	14
Nominal current I <sub>N</sub>	15 A
Nominal voltage U <sub>N</sub>	600 V

cUL Listed 	
mm <sup>2</sup> /AWG/kcmil	14
Nominal current I <sub>N</sub>	15 A
Nominal voltage U <sub>N</sub>	600 V

EAC
-----

EAC
-----

UL Listed 
---

# Connector - QPD P 3PE2,5 9-14 BK - 1582205

## Approvals

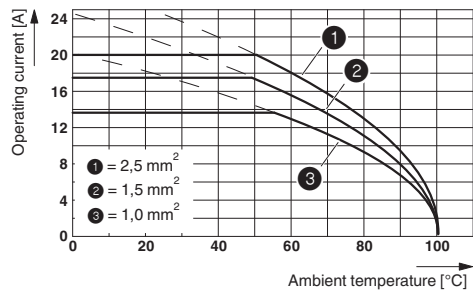
cUL Listed

GL

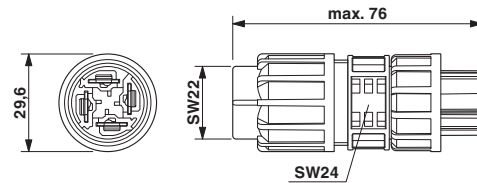
cULus Listed

## Drawings

Diagram



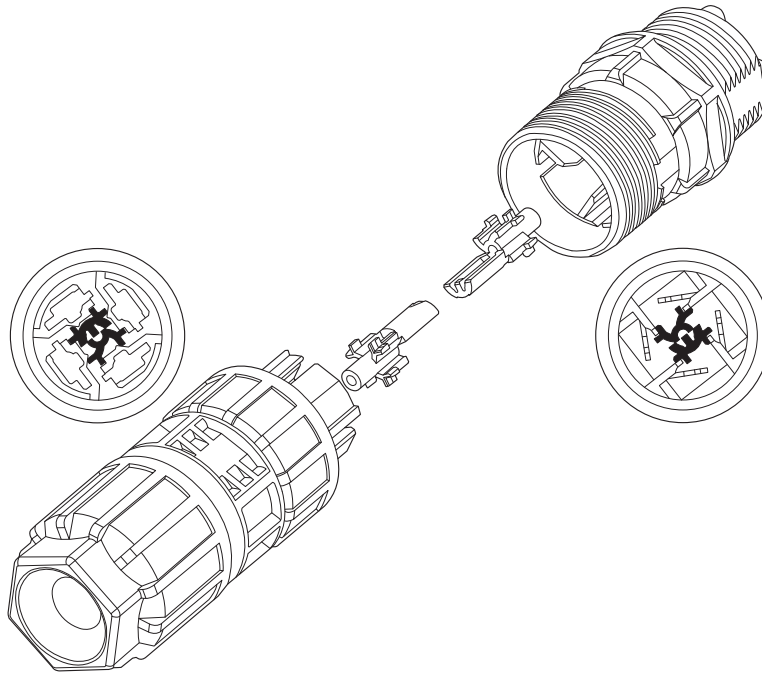
Dimensional drawing



Dimensional drawing: connector, 2.5 mm<sup>2</sup>

## Connector - QPD P 3PE2,5 9-14 BK - 1582205

Schematic diagram



Coding of the QUICKON plug-in connection

# Connector - QPD P 3PE2,5 9-14 BK - 1582205

Schematic diagram

