

# HC-D 64-A-TWIN-PER-M - Terminal adapter



1580215

<https://www.phoenixcontact.com/pc/products/1580215>

Please be informed that the data shown in this PDF document is generated from our Online Catalog. Please find the complete data in the user documentation. Our General Terms of Use for Downloads are valid.



HEAVYCON terminal adapter male insert, D64 series, 64-pos., left PE connection for the right side of the control cabinet, push-in connection

## Your advantages

- Easy installation without tools, even when mounted, with push-in connection technology
- Shortest installation time compared to other connection technologies
- Quick and effortless wiring, in particular when space is tight
- Automatic cabling with robots possible
- Safe wiring and operation with color-coded actuators
- Shock and vibration-resistant in accordance with DIN EN 61373

## Commercial Data

Item number	1580215
Packing unit	1 pc
Minimum order quantity	1 pc
Product Key	BF7ADE
Catalog Page	Page 537 (C-2-2019)
GTIN	4046356154543
Weight per Piece (including packing)	502.4 g
Weight per Piece (excluding packing)	461.8 g
Customs tariff number	85366990
Country of origin	PL

# HC-D 64-A-TWIN-PER-M - Terminal adapter



1580215

<https://www.phoenixcontact.com/pc/products/1580215>

## Technical Data

### Notes

General	For HEAVYCON-ADVANCE mounting flange and HEAVYCON panel mounting base of B24 type
General	Connectors may be operated only when there is no load/voltage.

### Product properties

Type	B24
Product type	Terminal adapter
Number of positions	64
Connection profile	64+PE
Application	Signal
No. of power contacts	0
No. of control contacts	64
Type	for the right side of the control cabinet
Contact type	rolled
Series	HC-D

### Insulation characteristics

Overvoltage category	III
Degree of pollution	3

### Electrical properties

Rated voltage (III/3)	250 V
Rated surge voltage	4 kV
Rated current	10 A
SCCR	5 kA (UL 2237)

### Connection data

#### Connection technology

Connection technology	Push-in connection
-----------------------	--------------------

#### Conductor connection

Conductor cross section	0.5 mm <sup>2</sup> ... 2.5 mm <sup>2</sup> (with ferrule)
Connection cross section AWG	22 ... 12
Stripping length of the individual wire	10 mm

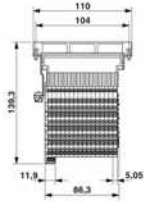
### Dimensions

# HC-D 64-A-TWIN-PER-M - Terminal adapter



1580215

<https://www.phoenixcontact.com/pc/products/1580215>

Dimensional drawing	
Width	34 mm
Height	139.3 mm
Length	110 mm
Drill hole distance, horizontal	104 mm
Drill hole distance, vertical	27 mm

Mechanical characteristics	
Contact diameter	1.6 mm

## Material specifications

Color	light grey
Flammability rating according to UL 94	V0
Contact material	Copper alloy
Contact surface material	Ag
Contact carrier material	PA
Standards/regulations	PA: Fire protection in rail vehicles - requirement sets R22, R23, and R24 acc. to DIN EN 45545-2 (Risk level HL1 - HL3)

## Cable/line

Stripping length of the individual wire	10 mm
---	-------

## Mechanical properties

Mechanical data	
Insertion/withdrawal cycles	≥ 500

## Environmental and real-life conditions

Ambient conditions	
Degree of protection	IP20
Ambient temperature (operation)	-40 °C ... 125 °C

## Standards and regulations

Constructional and testing regulations	DIN EN 61984
	DIN EN 60664
	IEC 60352
Tests	DIN EN 61984
	DIN EN 60664
	IEC 60352

# HC-D 64-A-TWIN-PER-M - Terminal adapter



1580215

<https://www.phoenixcontact.com/pc/products/1580215>

## Testing

Standards/regulations	PA: Fire protection in rail vehicles - requirement sets R22, R23, and R24 acc. to DIN EN 45545-2 (Risk level HL1 - HL3)
-----------------------	---

## Mounting

Assembly instructions	To ensure correct use, installation in housing with IP54 protection or better is required
	Not for HC-EVO panel mounting bases
	Not for HC-EVO panel mounting bases
	Connectors may be plugged in only when there is no load/voltage. Not for HC-B 24-AMQ-EMV housings

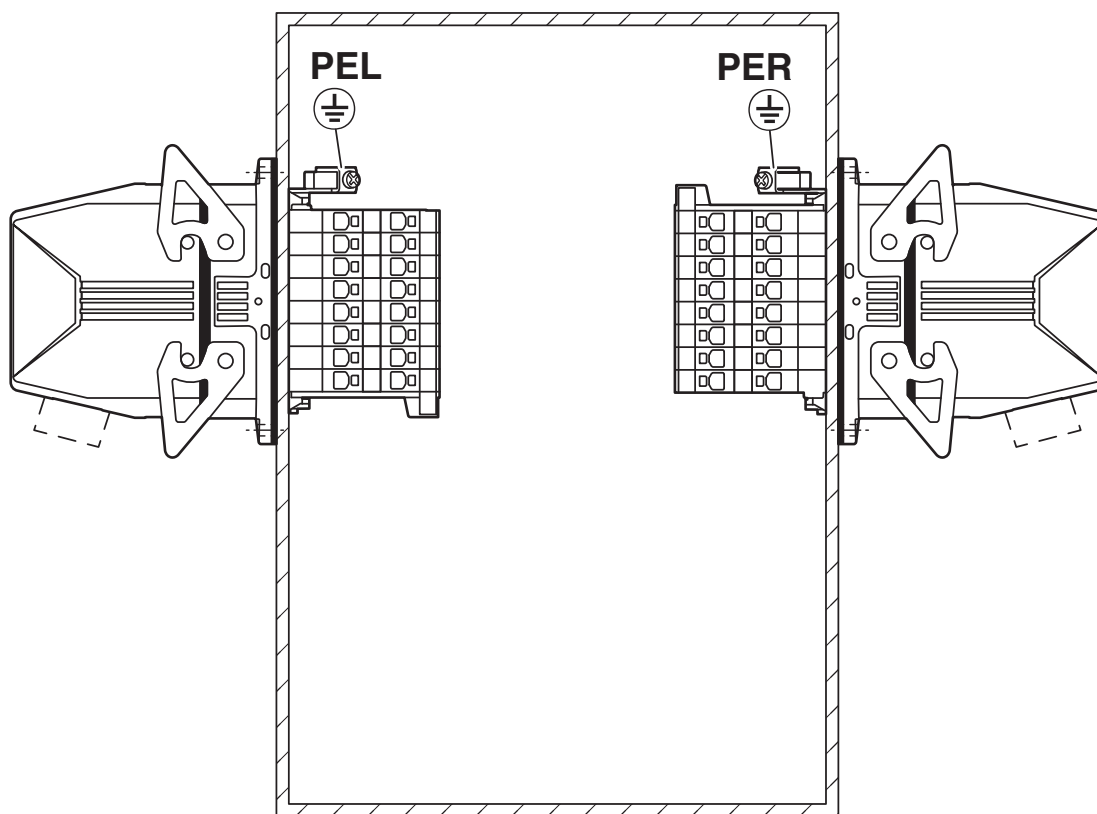
# HC-D 64-A-TWIN-PER-M - Terminal adapter

1580215

<https://www.phoenixcontact.com/pc/products/1580215>

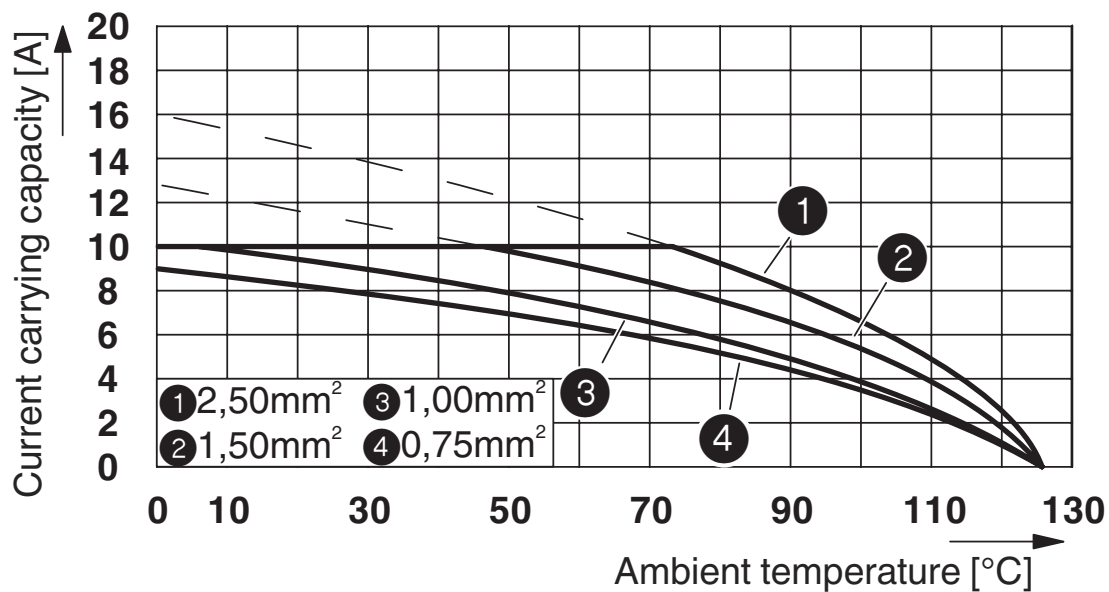
## Drawings

Application drawing



Mounting position PE connection left/right (PEL/PER)

Diagram



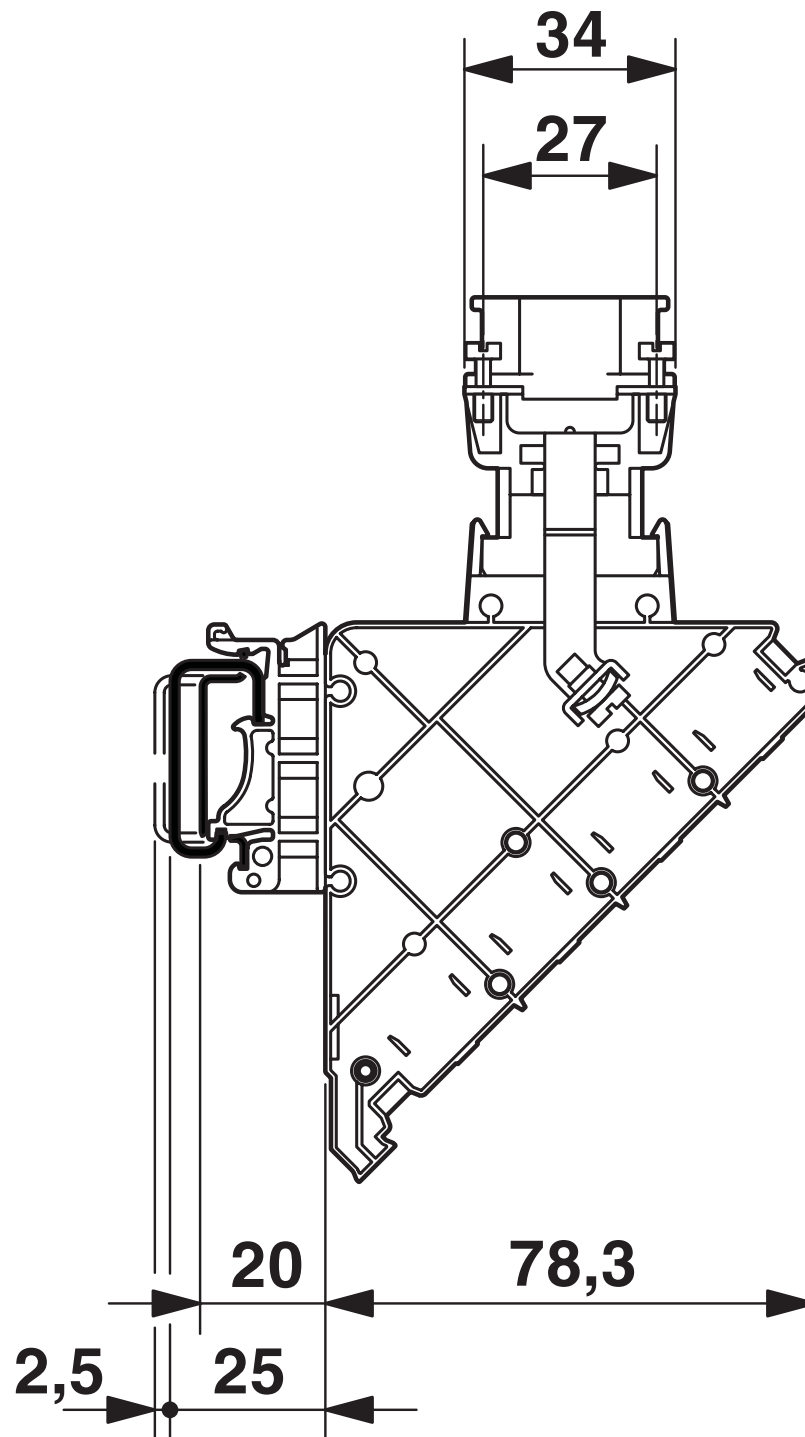
Derating diagram

# HC-D 64-A-TWIN-PER-M - Terminal adapter

1580215

<https://www.phoenixcontact.com/pc/products/1580215>

Dimensional drawing

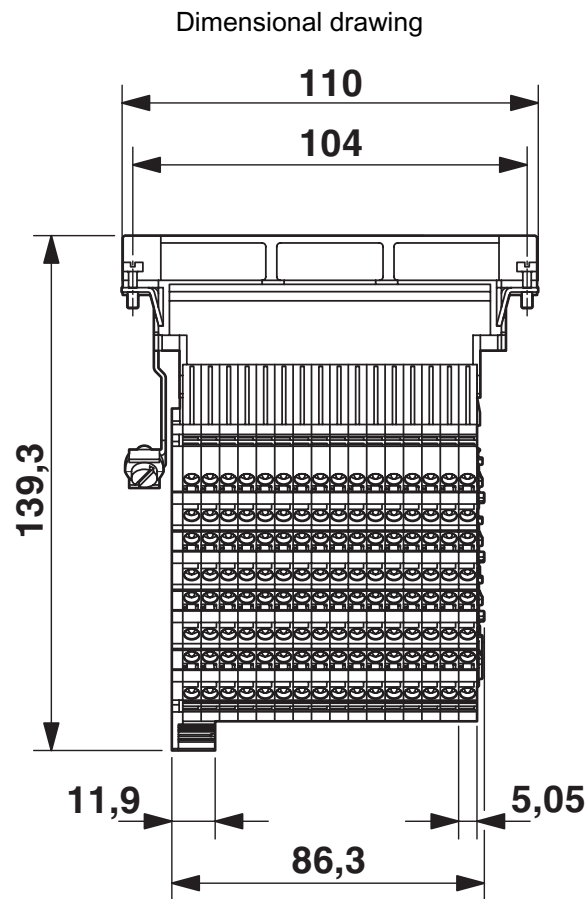


Side view

# HC-D 64-A-TWIN-PER-M - Terminal adapter

1580215

<https://www.phoenixcontact.com/pc/products/1580215>



Connection side

# HC-D 64-A-TWIN-PER-M - Terminal adapter





1580215

<https://www.phoenixcontact.com/pc/products/1580215>

## Approvals

 <b>CSA</b> Approval ID: 13631	Nominal Voltage $U_N$	Nominal Current $I_N$	Cross Section AWG	Cross Section $\text{mm}^2$
	600 V	7 A	- 14	-

 <b>UL Recognized</b> Approval ID: E118976	Nominal Voltage $U_N$	Nominal Current $I_N$	Cross Section AWG	Cross Section $\text{mm}^2$
	600 V	7 A	- 14	-

 <b>EAC</b> Approval ID: RU C-DE.AI30.B.01102
---

 <b>EAC</b> Approval ID: RU C-DE.BL08.B.00511
---

 <b>UL Recognized</b> Approval ID: E468743	Nominal Voltage $U_N$	Nominal Current $I_N$	Cross Section AWG	Cross Section $\text{mm}^2$
	600 V	10 A	-	-

# HC-D 64-A-TWIN-PER-M - Terminal adapter



1580215

<https://www.phoenixcontact.com/pc/products/1580215>

## Classifications

### ECLASS

ECLASS-9.0	27440222
ECLASS-10.0.1	27440222
ECLASS-11.0	27440222
ECLASS-12.0	27440222

### ETIM

ETIM 8.0	EC000438
----------	----------

### UNSPSC

UNSPSC 21.0	39121500
-------------	----------

# HC-D 64-A-TWIN-PER-M - Terminal adapter



1580215

<https://www.phoenixcontact.com/pc/products/1580215>

## Environmental Product Compliance

China RoHS	Environmentally friendly use period: unlimited = EFUP-e
	No hazardous substances above threshold values

# HC-D 64-A-TWIN-PER-M - Terminal adapter



1580215

<https://www.phoenixcontact.com/pc/products/1580215>

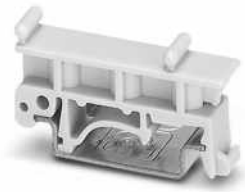
## Accessories

### HC-KA-FE - Foot element

1775240

<https://www.phoenixcontact.com/pc/products/1775240>

Foot element, for mounting on DIN rail NS 32, DIN rail NS 35/7.5 or DIN rail NS 35/15, can be inserted between basic and side element



---

### HC-VSH - Locking screw barrel

1660083

<https://www.phoenixcontact.com/pc/products/1660083>

Locking screw barrel, for a firm connection of contact inserts and DIN-rail mountable terminal adapters



# HC-D 64-A-TWIN-PER-M - Terminal adapter

1580215

<https://www.phoenixcontact.com/pc/products/1580215>



## HC-CST - Coding element

1676857

<https://www.phoenixcontact.com/pc/products/1676857>



Coding peg for coding up to 16 connectors

---

## HC-CBU - Coding element

1676860

<https://www.phoenixcontact.com/pc/products/1676860>



Coding socket for coding up to 16 connectors

# HC-D 64-A-TWIN-PER-M - Terminal adapter

1580215

<https://www.phoenixcontact.com/pc/products/1580215>

## HC-CB - Coding bolt

1772722

<https://www.phoenixcontact.com/pc/products/1772722>



Coding pin, prevents mismatching of up to six connectors with an identical number of positions

---

## HC-B-PES - Screw

1604997

<https://www.phoenixcontact.com/pc/products/1604997>



PE screw, for contact inserts HC-B / HC-BB / HC-DD / HC-D40 / HC-D64

# HC-D 64-A-TWIN-PER-M - Terminal adapter

1580215

<https://www.phoenixcontact.com/pc/products/1580215>



## HC-B-3PE - PE multiplier

1644326

<https://www.phoenixcontact.com/pc/products/1644326>

PE multiplier, for 3 PE connections, for HC-B / HC-BB / HC-DD / HC-D40 / HC-D64 contact inserts



---

## SZF 1-0,6X3,5 - Screwdriver

1204517

<https://www.phoenixcontact.com/pc/products/1204517>

Actuation tool, for ST terminal blocks, also suitable for use as a bladed screwdriver, size: 0.6 x 3.5 x 100 mm, 2-component grip, with non-slip grip



# HC-D 64-A-TWIN-PER-M - Terminal adapter



1580215

<https://www.phoenixcontact.com/pc/products/1580215>

## ZB 5 :UNBEDRUCKT - Zack marker strip

1050004

<https://www.phoenixcontact.com/pc/products/1050004>



Zack marker strip, Strip, white, unlabeled, can be labeled with: PLOTMARK, CMS-P1-PLOTTER, mounting type: snapped, for terminal block width: 5.2 mm, lettering field size: 5.1 x 10.5 mm, Number of individual labels: 10

---

## HC-D 64-I-CT-F - Contact insert

1584444

<https://www.phoenixcontact.com/pc/products/1584444>



HEAVYCON female insert, D64 series, 64-pos., crimp connection

---

Phoenix Contact 2023 © - all rights reserved  
<https://www.phoenixcontact.com>

PHOENIX CONTACT GmbH & Co. KG  
Flachsmarktstraße 8  
D-32825 Blomberg  
+49 (0) 5235-3 00  
[info@phoenixcontact.com](mailto:info@phoenixcontact.com)