

Sensor/actuator cable - SAC-17P- 3,0-PVC/FR SCO



1555392

<https://www.phoenixcontact.com/pc/products/1555392>

Please be informed that the data shown in this PDF document is generated from our Online Catalog. Please find the complete data in the user documentation. Our General Terms of Use for Downloads are valid.



Sensor/actuator cable, 17-position, PVC, black RAL 9005, free cable end, on Socket angled M12 SPEEDCON, coding: A, cable length: 3 m

Your advantages

- Easy and safe: 100% electrically tested plug-in components
- Save time, thanks to installation with SPEEDCON fast locking system
- Save space – with high-pos. connectors

Commercial Data

Item number	1555392
Packing unit	1 pc
Minimum order quantity	1 pc
Product Key	BF1CGA
Catalog Page	Page 213 (C-2-2019)
GTIN	4046356176675
Weight per Piece (including packing)	208.9 g
Weight per Piece (excluding packing)	199.3 g
Customs tariff number	85444290
Country of origin	DE

Sensor/actuator cable - SAC-17P- 3,0-PVC/FR SCO



1555392

<https://www.phoenixcontact.com/pc/products/1555392>

Technical Data

Product properties

Product type	Sensor/actuator cable
Number of positions	17
Application	Standard
No. of cable outlets	1
Shielded	no
Coding	A - standard

Insulation characteristics

Overvoltage category	II
Degree of pollution	3

Material specifications

Flammability rating according to UL 94	HB
Sealing material	NBR
Material of grip body	TPU, hardly inflammable, self-extinguishing
Contact material	CuZn
Contact surface material	Ni/Au
Contact carrier material	TPU GF
Material for screw connection	Zinc die-cast, nickel-plated

Electrical properties

Contact resistance	≤ 5 mΩ
Insulation resistance	≥ 10 MΩ
Nominal voltage U_N	30 V AC
	30 V DC
Nominal current I_N	1.5 A
Protective circuit	unwired

LED signaling

Status display	No
Status display present	No

Connection data

Conductor connection

Tightening torque	0.4 Nm (M12 connector)
-------------------	------------------------

Connector

Connection 1

Head design	free cable end
-------------	----------------

Connection 2

Sensor/actuator cable - SAC-17P- 3,0-PVC/FR SCO



1555392


<https://www.phoenixcontact.com/pc/products/1555392>

Head design	Socket
Head cable outlet	angled
Head thread type	M12
Head locking type	SPEEDCON
Coding	A

Cable / line

Cable length	3 m
--------------	-----

PVC black [PVC]

Dimensional drawing	
Number of positions	17
Shielded	no
Cable type	PVC black [PVC]
Conductor structure signal line	18x 0.10 mm
AWG signal line	26
Conductor cross section	17x 0.14 mm ² (Signal line)
Wire diameter incl. insulation	1 mm ±0.05 mm (Signal line)
External cable diameter	6.8 mm
Outer sheath, material	PVC
External sheath, color	black RAL 9005
Conductor material	Bare Cu litz wires
Material wire insulation	PVC
Single wire, color	white, brown, green, yellow, gray, pink, blue, red, black, violet, gray-pink, red-blue, white-green, brown-green, white-yellow, yellow-brown, white-gray
Overall twist	17 wires twisted in layers
Max. conductor resistance	≤ 142 Ω/km (at 20 °C)
Insulation resistance	> 10 MΩ*km
Nominal voltage, cable	250 V
Test voltage Core/Core	1500 V AC
Smallest bending radius, fixed installation	34 mm
Smallest bending radius, movable installation	102 mm
Flame resistance	DIN EN 50265-2-1
Ambient temperature (operation)	-25 °C ... 80 °C (cable, fixed installation) -5 °C ... 80 °C (Cable, flexible installation)

Ambient conditions

Sensor/actuator cable - SAC-17P- 3,0-PVC/FR SCO



1555392

<https://www.phoenixcontact.com/pc/products/1555392>

Degree of protection	IP65
	IP67
	IP68
Ambient temperature (operation)	-25 °C ... 85 °C (Socket)
	-5 °C ... 80 °C (Cable, flexible installation)
	-25 °C ... 80 °C (cable, fixed installation)

Standards and regulations

Standards/specifications	IEC 61076-2-101
--------------------------	-----------------

Sensor/actuator cable - SAC-17P- 3,0-PVC/FR SCO

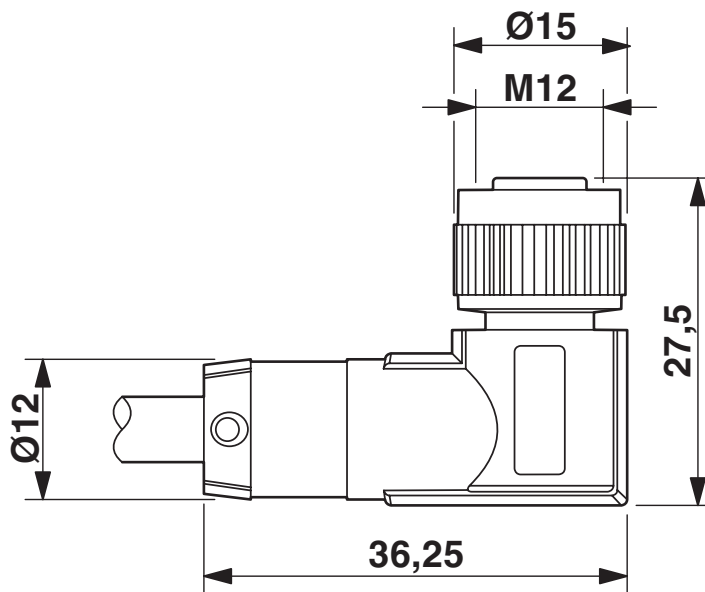


1555392

<https://www.phoenixcontact.com/pc/products/1555392>

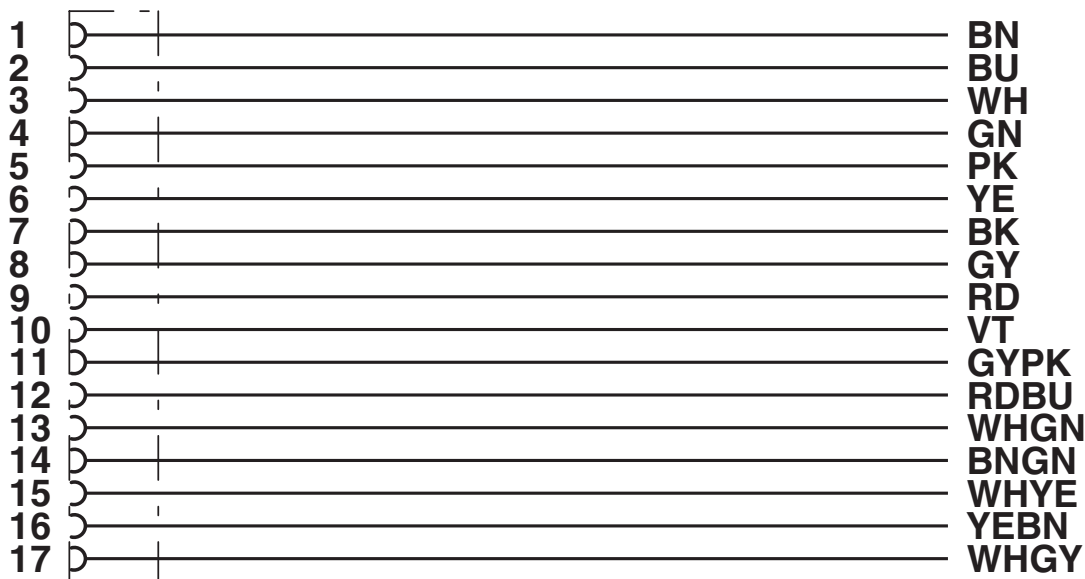
Drawings

Dimensional drawing



M12-SPEEDCON socket, angled

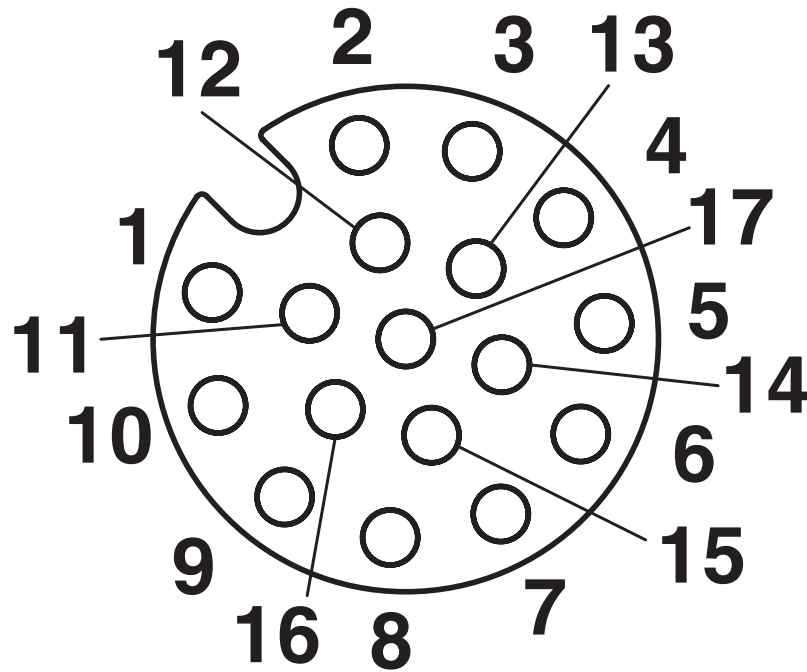
Circuit diagram



1555392

<https://www.phoenixcontact.com/pc/products/1555392>

Schematic diagram



Pin assignment M12, 17-pos., socket side view

Sensor/actuator cable - SAC-17P- 3,0-PVC/FR SCO



1555392

<https://www.phoenixcontact.com/pc/products/1555392>

Approvals



UL Listed

Approval ID: FILE E 221474

	Nominal Voltage U_N	Nominal Current I_N	Cross Section AWG	Cross Section mm^2
	30 V	1 A	-	-



EAC

Approval ID: RU D-DE.HB35.B.00387

Sensor/actuator cable - SAC-17P- 3,0-PVC/FR SCO



1555392

<https://www.phoenixcontact.com/pc/products/1555392>

Classifications

ECLASS

ECLASS-9.0	27060311
ECLASS-10.0.1	27060311
ECLASS-11.0	27060311

ETIM

ETIM 8.0	EC001855
----------	----------

UNSPSC

UNSPSC 21.0	26121600
-------------	----------

Sensor/actuator cable - SAC-17P- 3,0-PVC/FR SCO



1555392

<https://www.phoenixcontact.com/pc/products/1555392>

Environmental Product Compliance

China RoHS	Environmentally friendly use period: unlimited = EFUP-e
	No hazardous substances above threshold values

1555392

<https://www.phoenixcontact.com/pc/products/1555392>

Accessories

Insert label

Insert label - PABA WH/23 - 1013779

<https://www.phoenixcontact.com/pc/products/1013779>



Insert label, Strip, white, unlabeled, can be labeled with: CMS-P1-PLOTTER, mounting type: slide-on, cable diameter range: 1.5 ... 35 mm, lettering field size: 23 x 4 mm, Number of individual labels: 20

Insert label

Insert label - PABA YE/23 - 1013782

<https://www.phoenixcontact.com/pc/products/1013782>



Insert label, Strip, yellow, unlabeled, can be labeled with: CMS-P1-PLOTTER, mounting type: slide-on, cable diameter range: 1.5 ... 35 mm, lettering field size: 23 x 4 mm, Number of individual labels: 20

Sensor/actuator cable - SAC-17P- 3,0-PVC/FR SCO



1555392

<https://www.phoenixcontact.com/pc/products/1555392>

Marker pen

Marker pen - B-STIFT - 1051993

<https://www.phoenixcontact.com/pc/products/1051993>



Marker pen, for manual labeling of unprinted Zack strips, smear-proof and waterproof, line thickness 0.5 mm

Diagonal cutter

Diagonal cutter - CUTFOX-S VDE - 1212207

<https://www.phoenixcontact.com/pc/products/1212207>



Diagonal cutter for hard (piano wire) and soft wires, VDE 1000 V AC/1500 V DC tested

Sensor/actuator cable - SAC-17P- 3,0-PVC/FR SCO

1555392

<https://www.phoenixcontact.com/pc/products/1555392>

Stripping tool

Stripping tool - WIREFOX SAC-1 - 1212757

<https://www.phoenixcontact.com/pc/products/1212757>



Stripping pliers, for halogen-free sensor/actuator cables (SAC cables), with PUR and PVC insulation, from Ø of 3.2 to 4.4 mm, any stripping length

Stripping tool

Stripping tool - WIREFOX SAC - 1212623

<https://www.phoenixcontact.com/pc/products/1212623>



Stripping pliers, for halogen-free sensor/actuator cables (SAC cables), with PUR and PVC insulation, from Ø of 4.4 to 7 mm, any stripping length

Sensor/actuator cable - SAC-17P- 3,0-PVC/FR SCO

1555392

<https://www.phoenixcontact.com/pc/products/1555392>

Stripping tool

Stripping tool - WIREFOX 10 - 1212150

<https://www.phoenixcontact.com/pc/products/1212150>



Stripping tool, for cables and conductors from 0.02 - 10 mm², self-adjusting, stripping length of up to 18 mm, cutting capacity of up to 10 mm² stranded/1.5 mm² solid, replaceable stripping blade

Protective hose adapter

Protective hose adapter - WP-CTA POM 13,0 BK - 1422884

<https://www.phoenixcontact.com/pc/products/1422884>



Protective hose adapter, for corrugated hoses with a nominal size of 13 (10 x 13), corrugated in parallel

Sensor/actuator cable - SAC-17P- 3,0-PVC/FR SCO

1555392

<https://www.phoenixcontact.com/pc/products/1555392>

Protective hose

Protective hose - WP-PA HF 13,0 BK - 3240681

<https://www.phoenixcontact.com/pc/products/3240681>



Protective hose, material: PA 6, UV-resistant: yes, flexible, degree of protection: IP68, color: black, flammability rating in acc. with UL 94: V0, inner diameter: 10 mm, Total length: 50 m

Protective hose

Protective hose - WP-PA HF-HB 13,0 BK - 3240839

<https://www.phoenixcontact.com/pc/products/3240839>



Protective hose, material: PA 6, UV-resistant: yes, flexible, degree of protection: IP68, color: black, flammability rating in acc. with UL 94: HB, inner diameter: 10 mm, Total length: 50 m

Sensor/actuator cable - SAC-17P- 3,0-PVC/FR SCO



1555392

<https://www.phoenixcontact.com/pc/products/1555392>

Screw plug

Screw plug - PROT-M12 MS-PA-CHAIN - 1430899

<https://www.phoenixcontact.com/pc/products/1430899>

M12 sealing cap with fixing band, for sensor cables, for free M12 sockets



Locking clip

Locking clip - SAC-M12-EXCLIP-F - 1558991

<https://www.phoenixcontact.com/pc/products/1558991>

Locking clip for the socket side of sensor/actuator cables with M12 connector and M12 connectors for assembly, for knurl diameter: 15 mm or for Allen key with a wrench size of 14 mm, prevents the disconnection of plug-in connections without tools



Sensor/actuator cable - SAC-17P- 3,0-PVC/FR SCO

1555392

<https://www.phoenixcontact.com/pc/products/1555392>

Torque screwdriver

Torque screwdriver - TSD 04 SAC - 1208429

<https://www.phoenixcontact.com/pc/products/1208429>



Torque screwdriver, with preset torque of 0.4 Nm and 4 mm hexagonal drive for M12 connectors

Torque screwdriver

Torque screwdriver - TSD-M 1,2NM - 1212224

<https://www.phoenixcontact.com/pc/products/1212224>



Torque screw driver, accuracy as per EN ISO 6789 standard, adjustable from 0.3 - 1.2 Nm

Sensor/actuator cable - SAC-17P- 3,0-PVC/FR SCO



1555392

<https://www.phoenixcontact.com/pc/products/1555392>

Adapter insert

Adapter insert - TSD-M SAC-BIT ADAPTER - 1212600

<https://www.phoenixcontact.com/pc/products/1212600>



Adapter bit for TSD-M...torque tools, E6.3-1/4" drive with 4 mm hexagon to accommodate SAC bits

Tool

Tool - SAC BIT M12-D15 - 1208432

<https://www.phoenixcontact.com/pc/products/1208432>



Nut for assembling sensor/actuator cables with M12 connector and M12 connectors for assembly, with a knurl diameter of 15 mm, for 4 mm hexagonal drive

Phoenix Contact 2022 © - all rights reserved
<https://www.phoenixcontact.com>

PHOENIX CONTACT GmbH & Co. KG
Flachsmarktstraße 8
D-32825 Blomberg
+49 (0) 5235-3 00
info@phoenixcontact.com