

## Bus system flat-type plug - SACC-DSIV-MSD-4CON-L180 SCOTHR - 1552175


Please be informed that the data shown in this PDF Document is generated from our Online Catalog. Please find the complete data in the user's documentation. Our General Terms of Use for Downloads are valid (<http://phoenixcontact.com/download>)



Bus system flush-type plug, 4-pos., M12 SPEEDCON, D-coded, rear/screw mounting with M12 thread, with straight THR solder connection



### Key Commercial Data

Packing unit	1 pc
Minimum order quantity	60 pc
GTIN	 4 046356 162036
GTIN	4046356162036
Weight per Piece (excluding packing)	10.800 g
Custom tariff number	85366990
Country of origin	Germany

### Technical data

#### Ambient conditions

Ambient temperature (operation)	-25 °C ... 85 °C (Plug)
Degree of protection	IP67

#### General

Rated current at 40°C	4 A
Rated voltage	250 V
Number of positions	4
Insulation resistance	≥ 100 MΩ
Coding	D - data

## Bus system flat-type plug - SACC-DSIV-MSD-4CON-L180 SCOTHR - 1552175

### Technical data

#### General

Status display	No
Overvoltage category	II
Degree of pollution	3
Connection method	THR solder connection
Mounting type	Rear mounting M12 x 1 With flat nut

#### Material

Flammability rating according to UL 94	V0
Contact material	CuZn
Contact surface material	Au
Contact carrier material	PA 6.6
Material, knurls	Zinc die-cast, nickel-plated
Sealing material	FKM / EPDM

#### Standards and Regulations

Flammability rating according to UL 94	V0
--	----

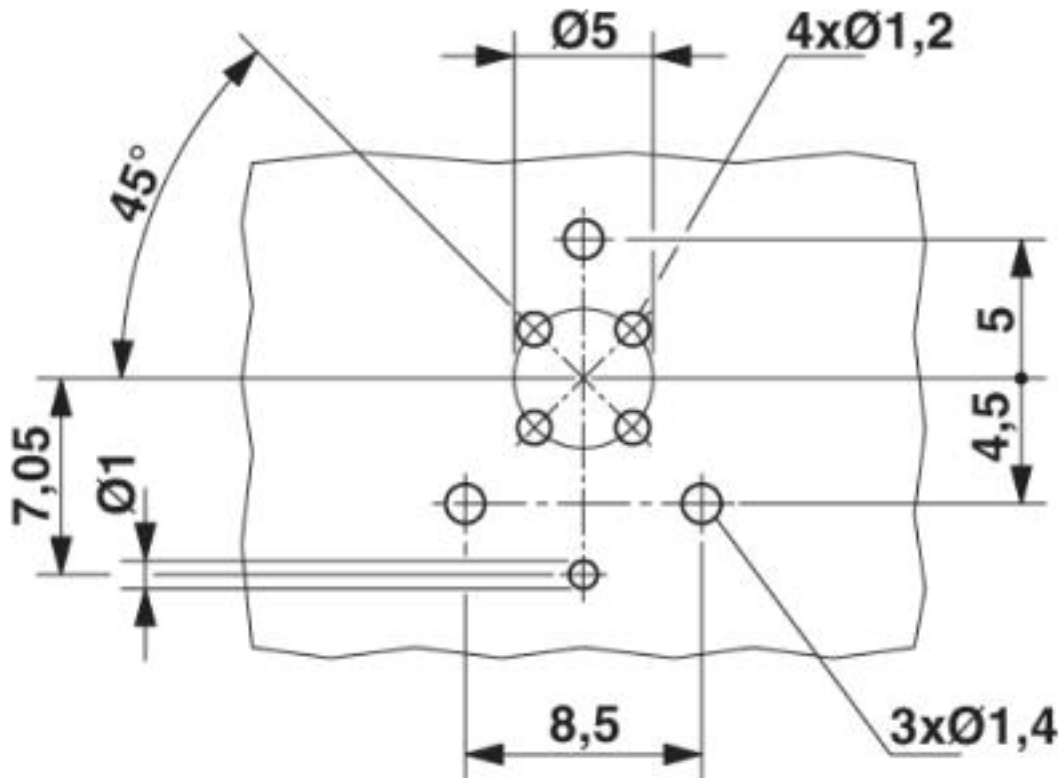
#### Environmental Product Compliance

REACH SVHC	Lead 7439-92-1
China RoHS	Environmentally Friendly Use Period = 50 years
	For details about hazardous substances go to tab "Downloads", Category "Manufacturer's declaration"

### Drawings

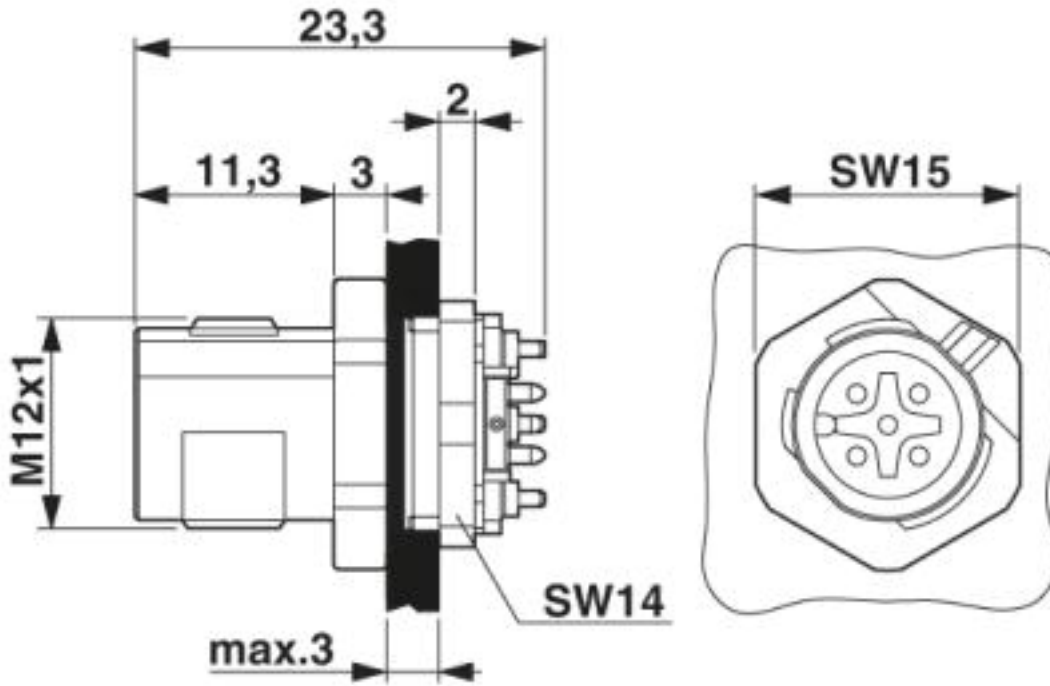
# Bus system flat-type plug - SACC-DSIV-MSD-4CON-L180 SCOTHR - 1552175

Drilling diagram



# Bus system flat-type plug - SACC-DSIV-MSD-4CON-L180 SCOTHR - 1552175

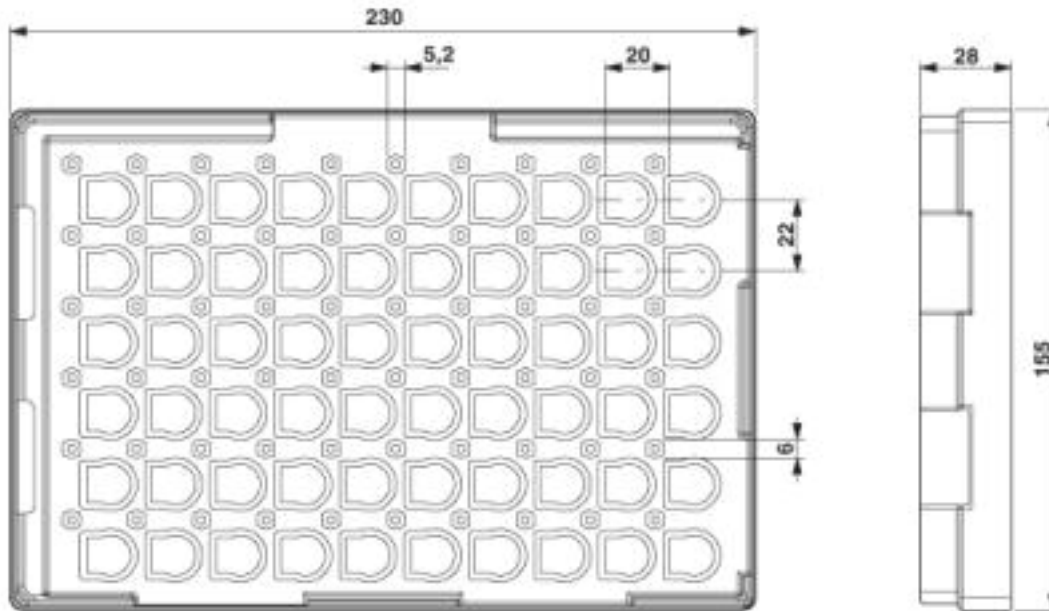
Dimensional drawing



M12 flush-type plug

# Bus system flat-type plug - SACC-DSIV-MSD-4CON-L180 SCOTHR - 1552175

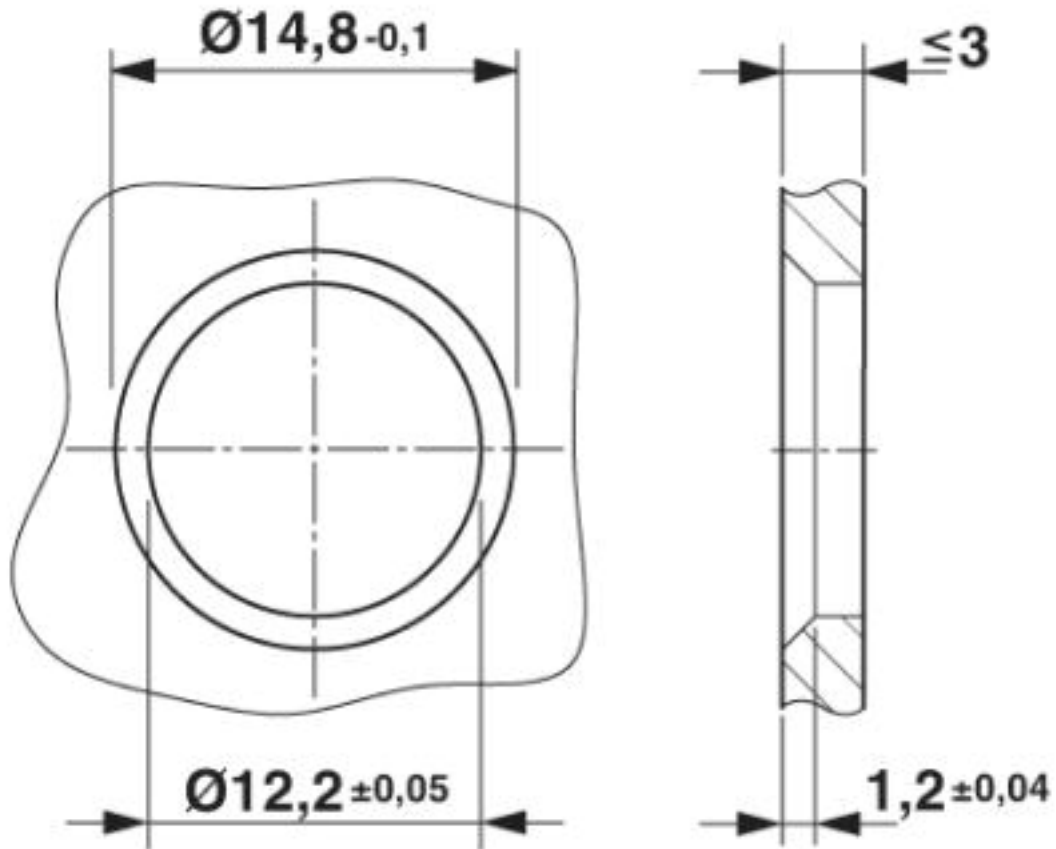
Dimensional drawing



THR tray packaging

# Bus system flat-type plug - SACC-DSIV-MSD-4CON-L180 SCOTHR - 1552175

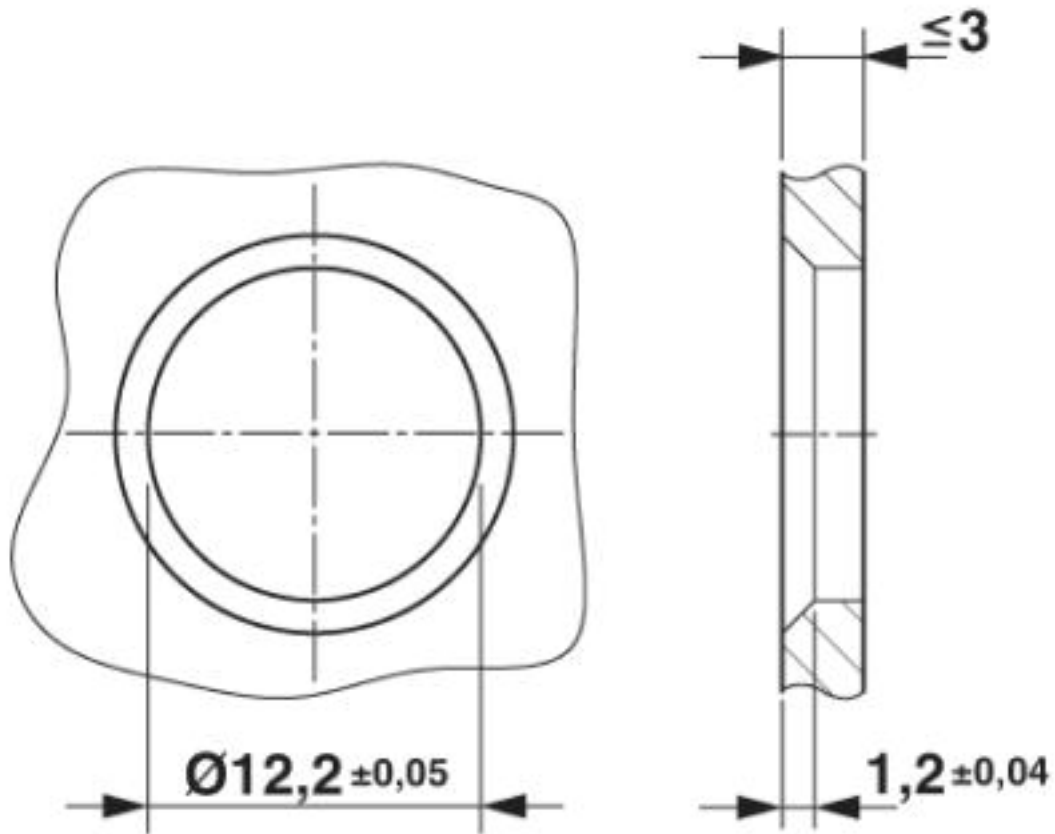
Dimensional drawing



Housing cut-out for two-part M12 flush-type connectors with THR and wave soldering connection, version 1

# Bus system flat-type plug - SACC-DSIV-MSD-4CON-L180 SCOTHR - 1552175

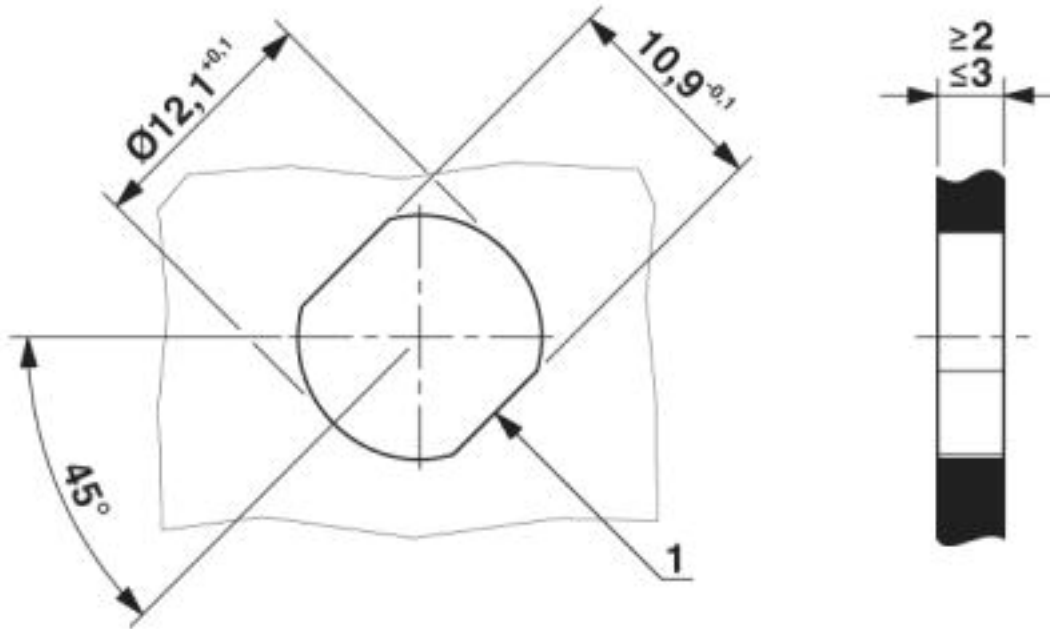
Dimensional drawing



Housing cut-out for two-part M12 flush-type connectors with THR and wave soldering connection, version 2

# Bus system flat-type plug - SACC-DSIV-MSD-4CON-L180 SCOTHR - 1552175

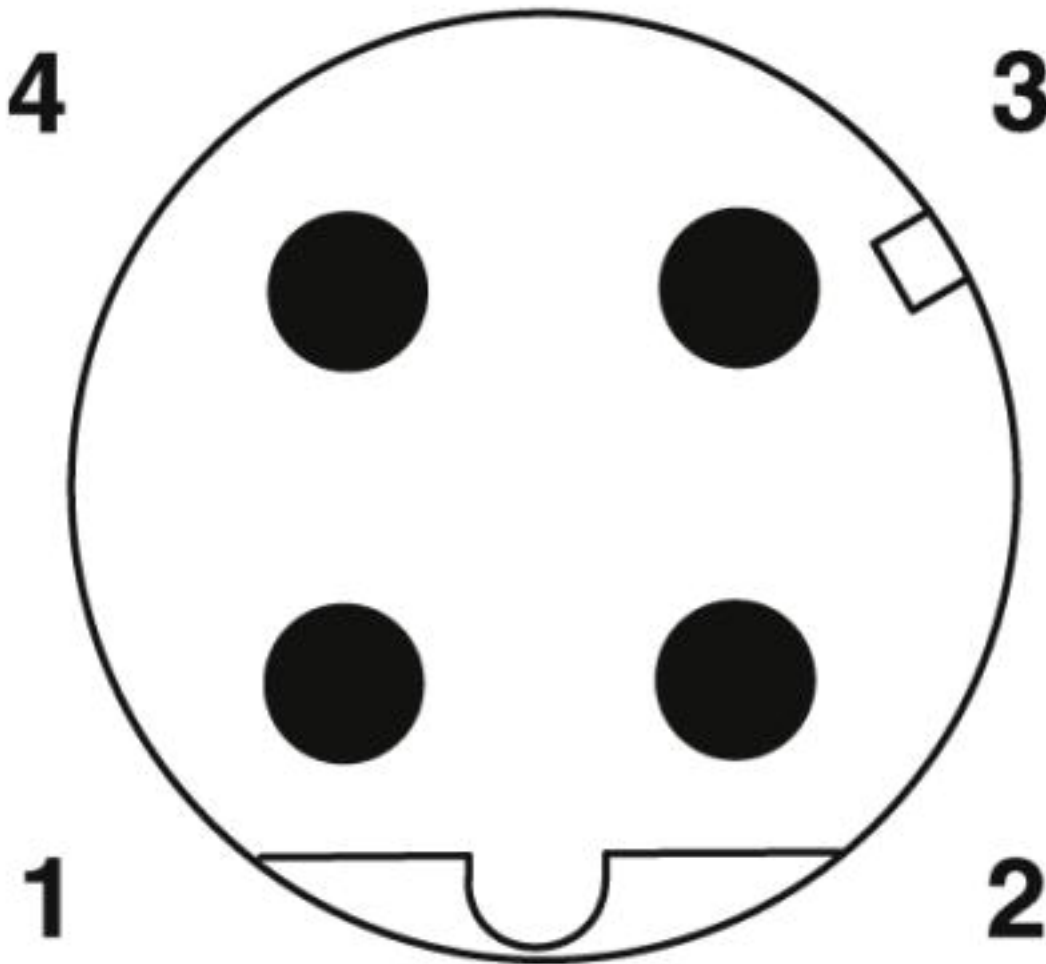
Dimensional drawing



Housing cutout for M12 fastening thread, mounting panel with feed-through hole (alternative with surface as protection against rotation)

# Bus system flat-type plug - SACC-DSIV-MSD-4CON-L180 SCOTHR - 1552175

Schematic diagram



Pin assignment M12 male connector, 4-pos., D-coded, male side

## Classifications

eCl@ss

eCl@ss 10.0.1	27440102
eCl@ss 4.0	27140800
eCl@ss 4.1	27140800
eCl@ss 5.0	27143400
eCl@ss 5.1	27143400
eCl@ss 6.0	27279200

# Bus system flat-type plug - SACC-DSIV-MSD-4CON-L180 SCOTHR - 1552175

## Classifications

### eCl@ss

eCl@ss 7.0	27440103
eCl@ss 8.0	27440103
eCl@ss 9.0	27440102

### ETIM

ETIM 3.0	EC002061
ETIM 4.0	EC000830
ETIM 5.0	EC002061
ETIM 6.0	EC002061

### UNSPSC

UNSPSC 6.01	31251501
UNSPSC 7.0901	31251501
UNSPSC 11	31251501
UNSPSC 12.01	31251501
UNSPSC 13.2	39121413
UNSPSC 18.0	39121413
UNSPSC 19.0	39121413
UNSPSC 20.0	39121413
UNSPSC 21.0	39121413

## Approvals

### Approvals

Approvals

EAC

Ex Approvals

### Approval details

EAC		B.01687
-----	--	---------

