

## Panel feed-through - SACC-DSI-MS-8CON-M12 SCO - 1551862

Please be informed that the data shown in this PDF Document is generated from our Online Catalog. Please find the complete data in the user's documentation. Our General Terms of Use for Downloads are valid (<http://phoenixcontact.com/download>)




Sensor/actuator flush-type plug, 8-pos., M12-SPEEDCON, rear/screw mounting with M12 thread, with straight solder connection

### Your advantages

- ✓ Easy PCB assembly: one-piece connectors for wave soldering
- ✓ All standard pin assignments and codings for signal, data, and power transmission with a uniform design-in design
- ✓ SPEEDCON fast locking system reduces cabling times



### Key Commercial Data

|                                      |   |
|--------------------------------------|---|
| Packing unit                         | 1 pc  |
| Minimum order quantity               | 20 pc   |
| GTIN                                 | <br>4 046356 161923 |
| GTIN                                 | 4046356161923   |
| Weight per Piece (excluding packing) | 8.300 g   |
| Custom tariff number                 | 85366990  |
| Country of origin                    | Germany   |

### Technical data

#### Ambient conditions

|                                 |   |
|---------------------------------|---|
| Ambient temperature (operation) | -25 °C ... 85 °C (Plug / socket)                |
|                                 | -40 °C ... 85 °C (without mechanical actuation) |
| Degree of protection            | IP67 (When plugged in)                          |
|                                 | IP65 (When plugged in)                          |

#### General

# Panel feed-through - SACC-DSI-MS-8CON-M12 SCO - 1551862

## Technical data

### General

|                             |  |
|-----------------------------|--|
| Note                        | The electrical and mechanical data specified assume that the connector pair is correctly locked and mounted. If the connector is unlocked and if there is a danger of contamination, the connector must be sealed using a protective cap > IP54. Influences arising from litz wires, cables or PCB assembly must also be taken into consideration. |
| Rated current at 40°C       | 2 A  |
| Rated voltage               | 30 V   |
| Rated surge voltage         | 0.8 kV   |
| Number of positions         | 8  |
| Insulation resistance       | ≥ 100 MΩ   |
| Coding                      | A - standard   |
| Standards/regulations       | M12 connector IEC 61076-2-101  |
| Status display              | No   |
| Overvoltage category        | II   |
| Degree of pollution         | 3  |
| Connection method           | Solder pins  |
| Insertion/withdrawal cycles | > 100  |
| Torque                      | 3 Nm ... 4 Nm (Installation-side)  |
| Mounting type               | Rear mounting M12 x 1 With flat nut  |

### Material

|  |                              |
|--|------------------------------|
| Flammability rating according to UL 94 | V0                           |
| Contact material                       | CuZn                         |
| Contact surface material               | Au                           |
| Contact carrier material               | PA 6.6                       |
| Material, knurls                       | Zinc die-cast, nickel-plated |
| Sealing material                       | NBR                          |

### Cable

|                                 |   |
|---------------------------------|---|
| Standards/specifications        | M12 connector IEC 61076-2-101                   |
| Ambient temperature (operation) | -40 °C ... 85 °C (cable, fixed installation)    |
|                                 | -25 °C ... 85 °C (cable, flexible installation) |

### Standards and Regulations

|  |                 |
|--|-----------------|
| Standard designation                   | M12 connector   |
| Standards/regulations                  | IEC 61076-2-101 |
| Flammability rating according to UL 94 | V0              |

### Environmental Product Compliance

|            |  |
|------------|--|
| REACH SVHC | Lead 7439-92-1                           |
| China RoHS | Environmentally Friendly Use Period = 50 |

# Panel feed-through - SACC-DSI-MS-8CON-M12 SCO - 1551862

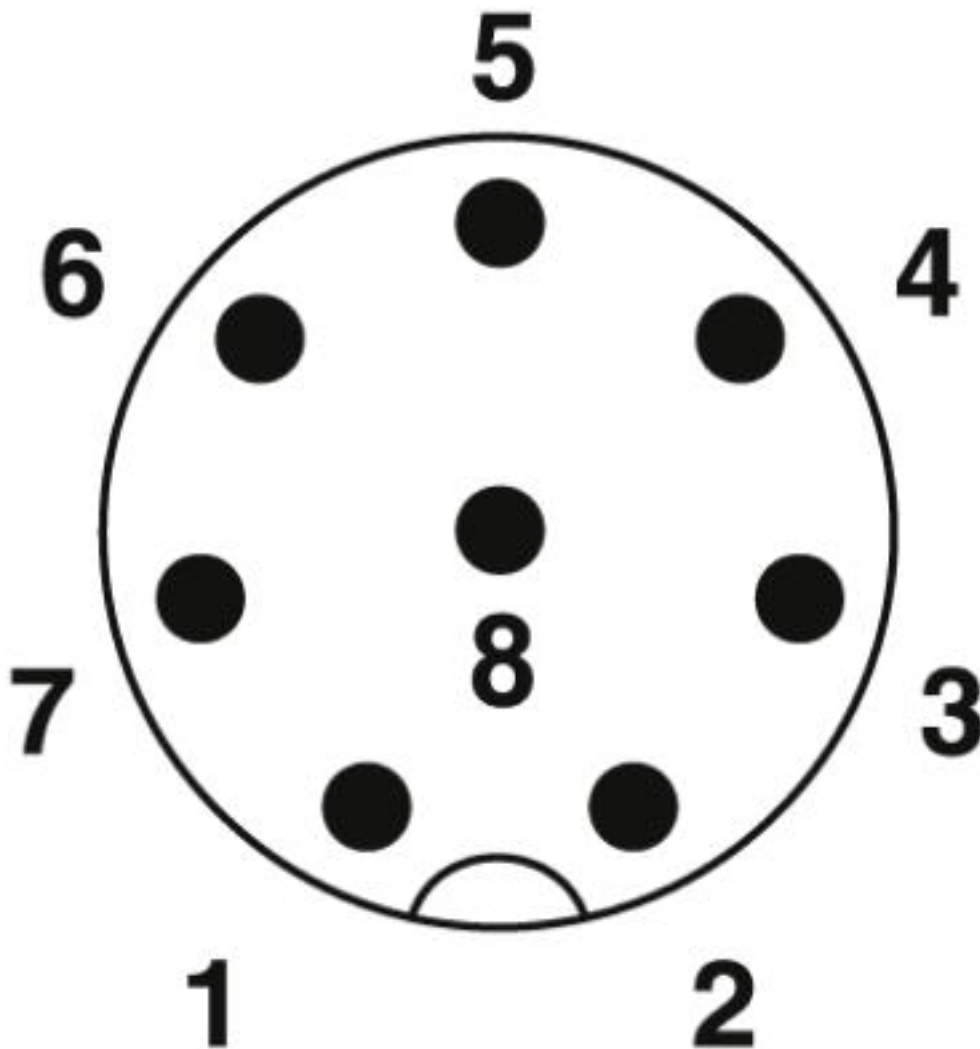
Technical data

Environmental Product Compliance

|  |   |
|--|---|
|  | For details about hazardous substances go to tab "Downloads", Category "Manufacturer's declaration" |
|--|---|

Drawings

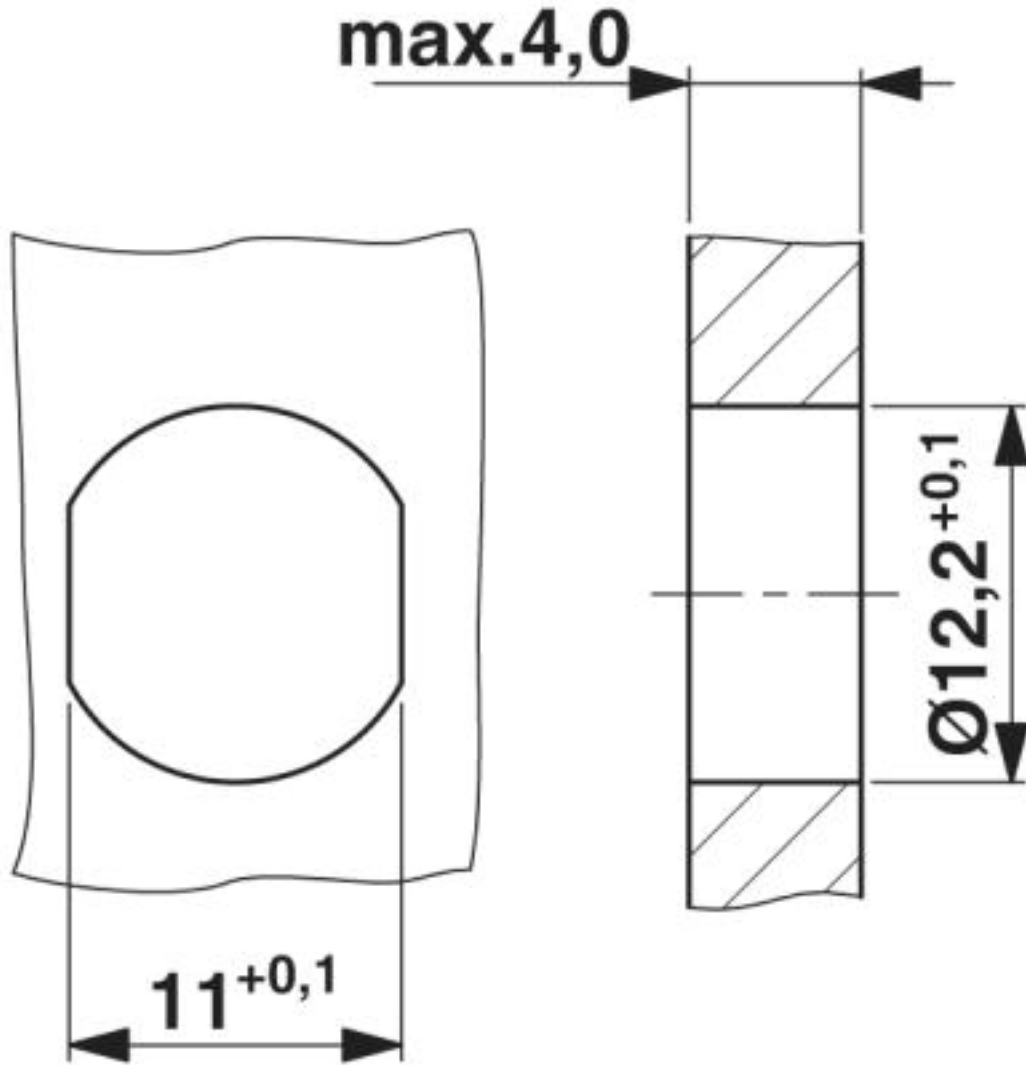
Schematic diagram



Pin assignment M12 plug, 8-pos., view plug side

# Panel feed-through - SACC-DSI-MS-8CON-M12 SCO - 1551862

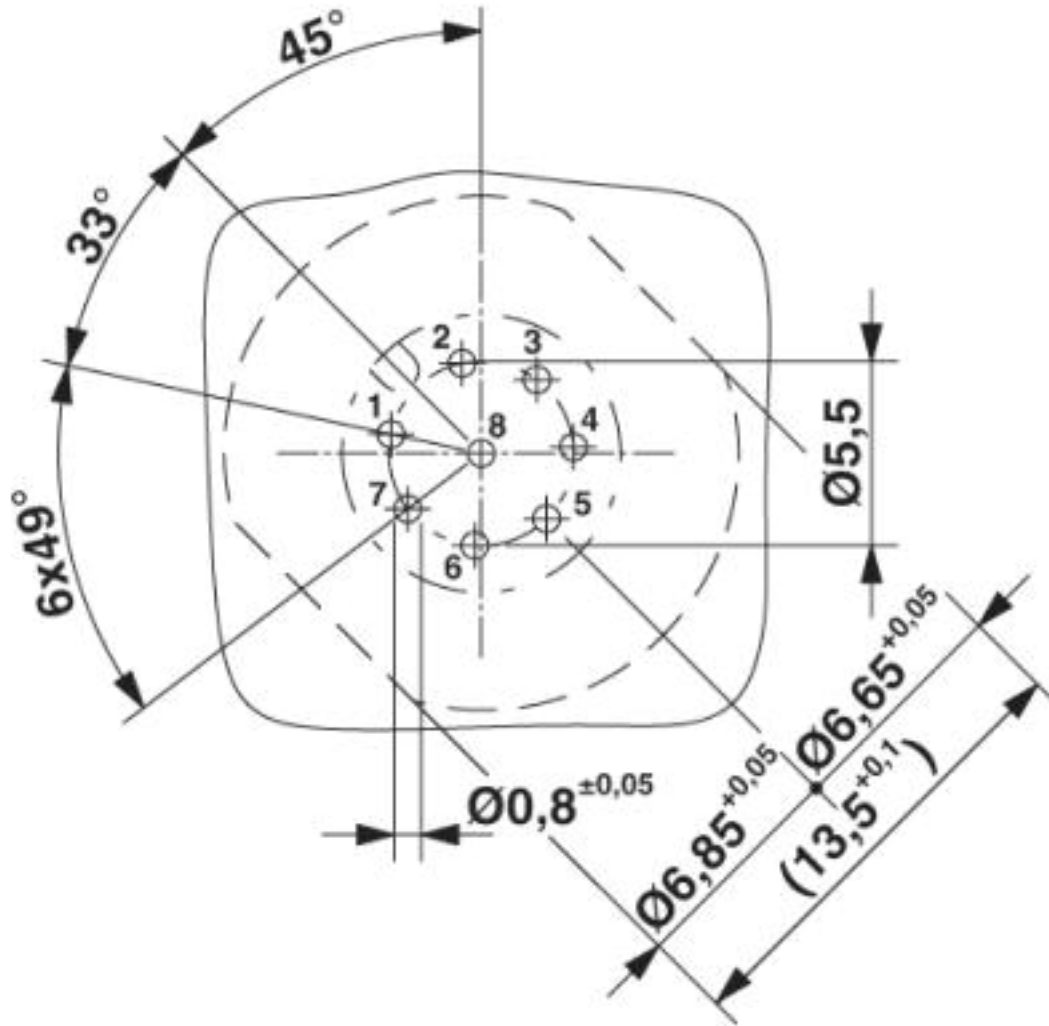
Dimensional drawing



Mounting cutout

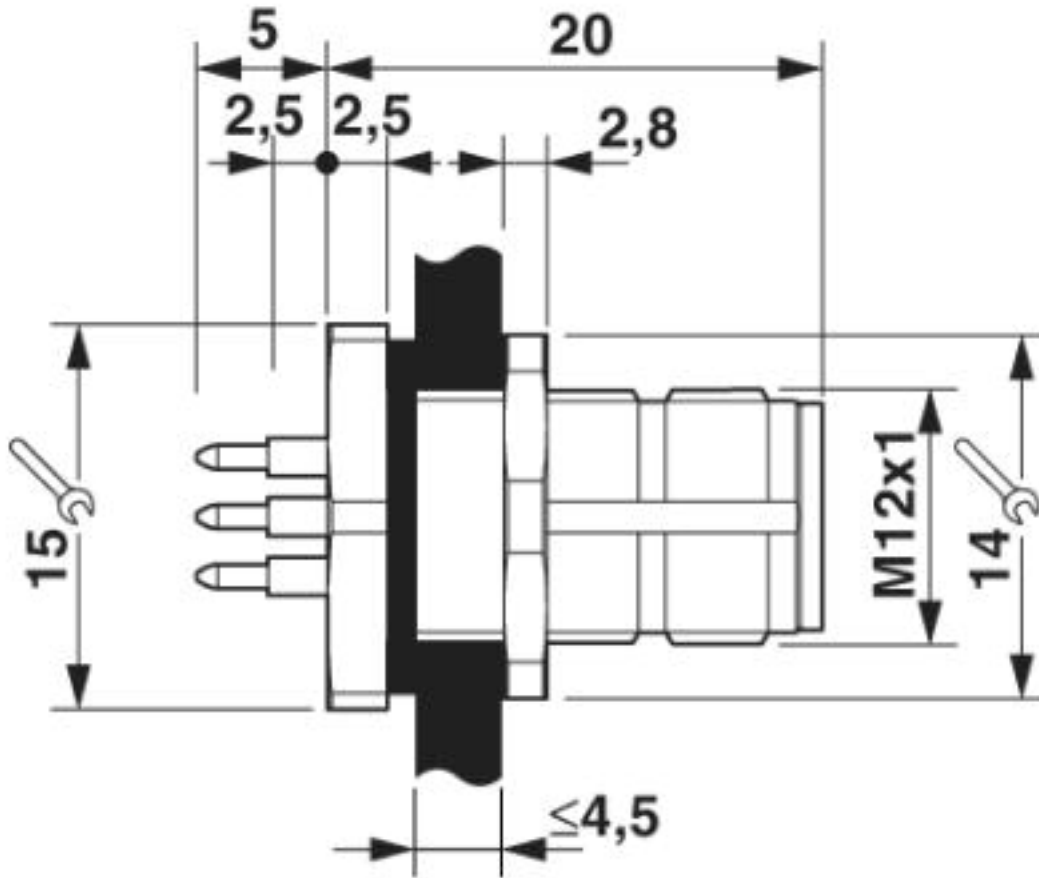
# Panel feed-through - SACC-DSI-MS-8CON-M12 SCO - 1551862

Drilling diagram



# Panel feed-through - SACC-DSI-MS-8CON-M12 SCO - 1551862

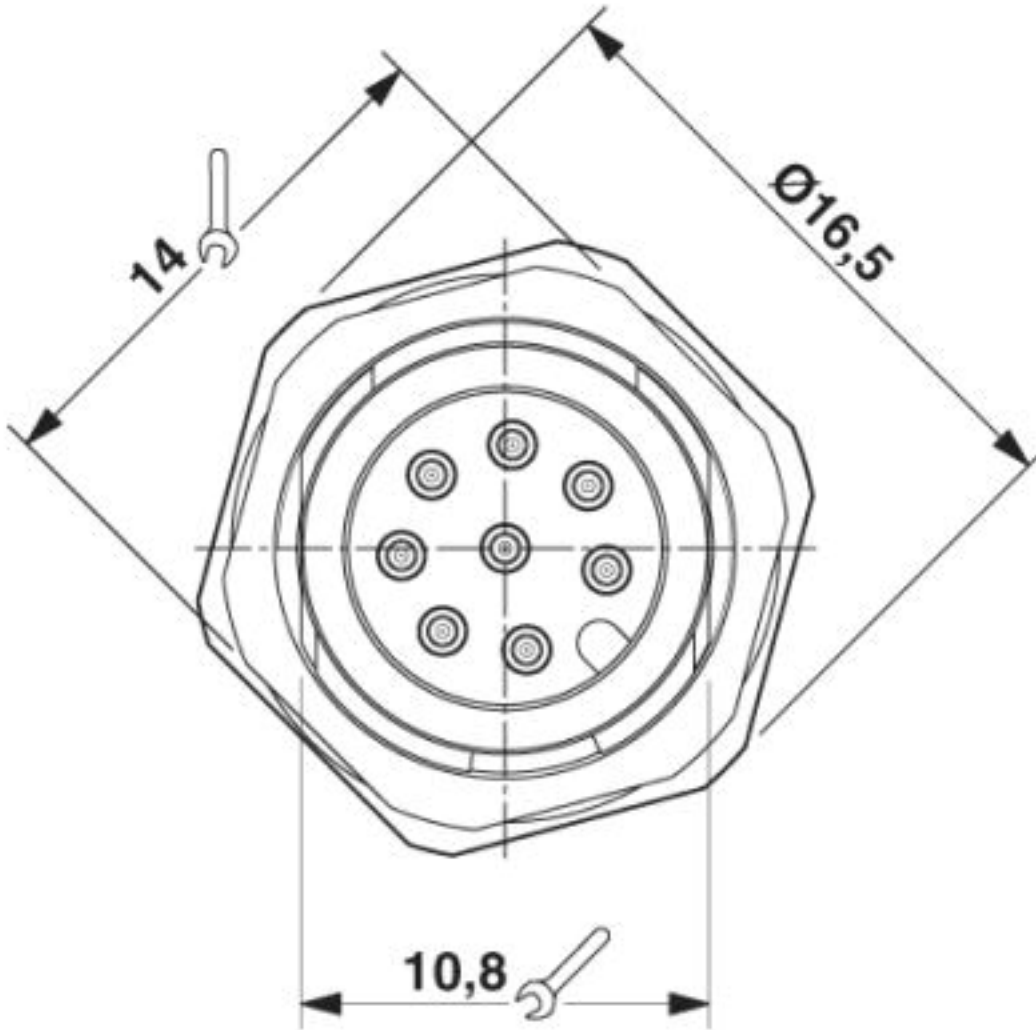
Dimensional drawing



M12 flush-type connector

# Panel feed-through - SACC-DSI-MS-8CON-M12 SCO - 1551862

Dimensional drawing



Front view of M12 flush-type connector

## Classifications

eCl@ss

|               |          |
|---------------|----------|
| eCl@ss 10.0.1 | 27440102 |
| eCl@ss 4.0    | 27140800 |
| eCl@ss 4.1    | 27140800 |
| eCl@ss 5.0    | 27143400 |
| eCl@ss 5.1    | 27143400 |
| eCl@ss 6.0    | 27279200 |

## Panel feed-through - SACC-DSI-MS-8CON-M12 SCO - 1551862

### Classifications

#### eCl@ss

|            |          |
|------------|----------|
| eCl@ss 7.0 | 27440103 |
| eCl@ss 8.0 | 27440103 |
| eCl@ss 9.0 | 27440102 |

#### ETIM

|          |          |
|----------|----------|
| ETIM 3.0 | EC002061 |
| ETIM 4.0 | EC002062 |
| ETIM 5.0 | EC002061 |
| ETIM 6.0 | EC002061 |

#### UNSPSC

|               |          |
|---------------|----------|
| UNSPSC 6.01   | 31261501 |
| UNSPSC 7.0901 | 31261501 |
| UNSPSC 11     | 31261501 |
| UNSPSC 12.01  | 31261501 |
| UNSPSC 13.2   | 39121413 |

### Approvals


#### Approvals

#### Approvals

UL Recognized / EAC / cULus Recognized

#### Ex Approvals

#### Approval details

|                            |   |   |               |
|----------------------------|---|---|---------------|
| UL Recognized              |  | <a href="http://database.ul.com/cgi-bin/XYV/template/LISEXT/1FRAME/index.htm">http://database.ul.com/cgi-bin/XYV/template/LISEXT/1FRAME/index.htm</a> | FILE E 118976 |
| Nominal voltage UN         | 30 V  |   |               |
| Nominal current IN         | 2 A   |   |               |
| mm <sup>2</sup> /AWG/kcmil | 24  |   |               |

# Panel feed-through - SACC-DSI-MS-8CON-M12 SCO - 1551862

## Approvals

|     |  |         |
|-----|--|---------|
| EAC |  | B.01742 |
|-----|--|---------|

|                            |  |   |                  |
|----------------------------|--|---|------------------|
| cULus Recognized           |  | <a href="http://database.ul.com/cgi-bin/XYV/template/LISEXT/1FRAME/index.htm">http://database.ul.com/cgi-bin/XYV/template/LISEXT/1FRAME/index.htm</a> | E221474-20140616 |
| Nominal voltage UN         |  | 30 V  |                  |
| Nominal current IN         |  | 2 A   |                  |
| mm <sup>2</sup> /AWG/kcmil |  | 24-22   |                  |

## Accessories

### Accessories

#### Protective cap

Sealing cap - PROT-M12 FS - 1560251



M12 sealing cap for unoccupied M12 plugs of the sensor/actuator cable, flush-type plugs and I/O devices in the field

Sealing cap - PROT-M12 FS-M - 1430488



M12 metal sealing cap for unoccupied M12 plugs of the sensor/actuator cable, flush-type plugs and I/O devices in the field